

**MODEL 741/941 HAY CONDITIONER
for 942 & 972 Headers
PARTS CATALOG**

CONTENTS

HAY CONDITIONER

FRAME, ROLLS & ROLL ARMS.....	2,3
L/H DRIVES	4,5
R/H DRIVES.....	6
ROLL GAP & TENSION GROUP	7
HEADER MOUNTING PARTS	8,9
FLOAT GROUP	10,11
FORMING SHIELD GROUP (Serial number 131619 and below).....	12,13
FORMING SHIELD GROUP (Serial number 131620 and above)	14,15
NUMERICAL LIST	16
SUGGESTED STOCKING LIST	17

ABBREVIATIONS

L/H - left hand (Determined from Operator's position, facing forward.)

R/H - right hand

I.D. - inside diameter

O.D. - outside diameter

A/R - as required (quantity varies with header size)

REF - reference, part number called up elsewhere in catalog

SUB - Substitute (Revised design may be used to repair previous design when stock is depleted.)

NC - national coarse thread

NF - national fine thread

NOTE: Common hardware is not illustrated. Alphabetic references are used to designate position and description of these items.

When ordering, be sure the complete and proper serial number is given. Some parts vary with header size; be sure you are ordering the correct number for your header.

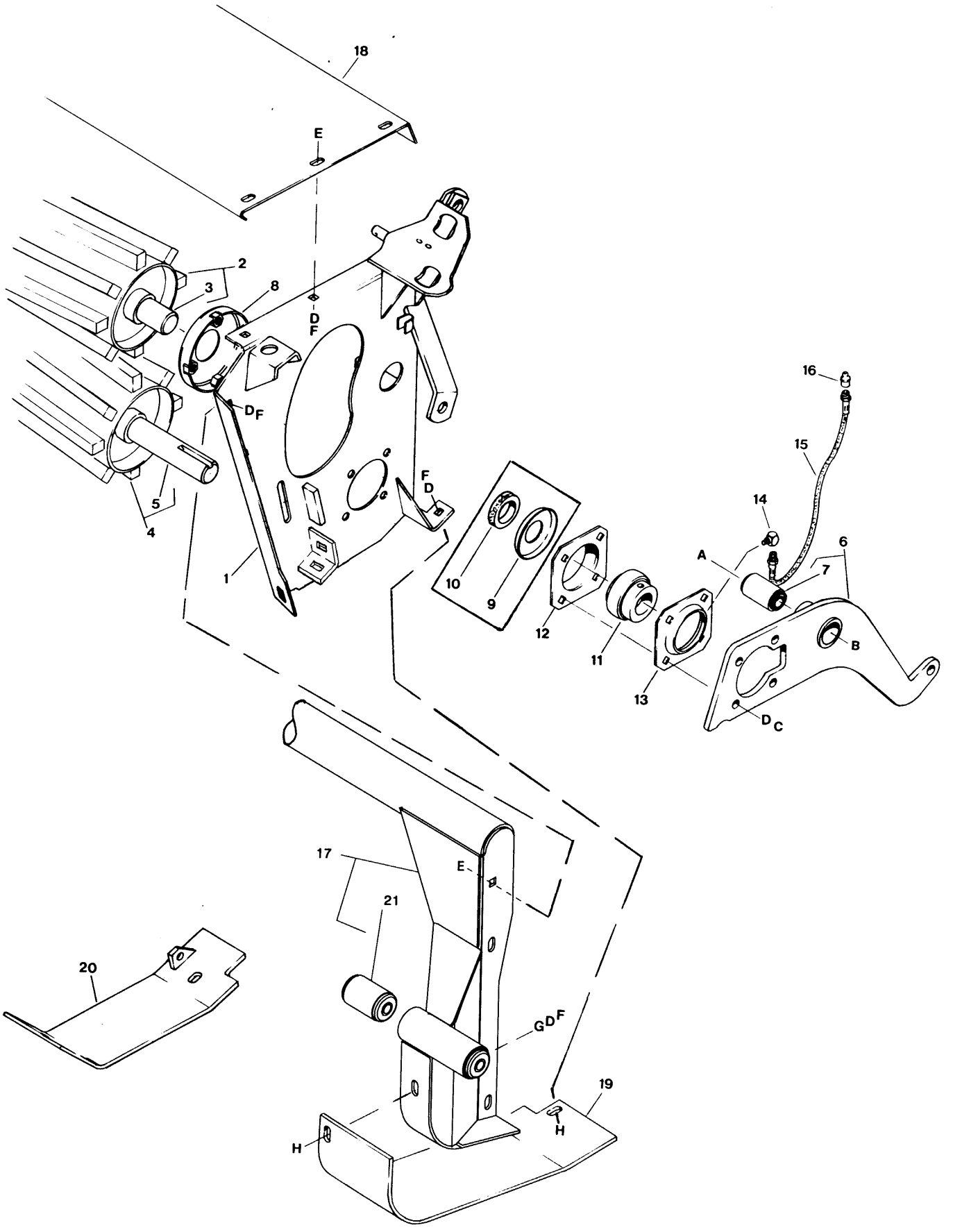
SERIAL NUMBER BREAKS

The side of the serial number on which the dash (-) appears determines whether the part is used "up to" or "after" the serial number given.

Example:	-74924	Used on machines up to and including serial number 74924.
	74925-	Used on machines including and after serial number 74925.

BOLDED PART NUMBERS INDICATE REVISIONS OR ADDITIONS SINCE LAST PRODUCTION YEAR.
--

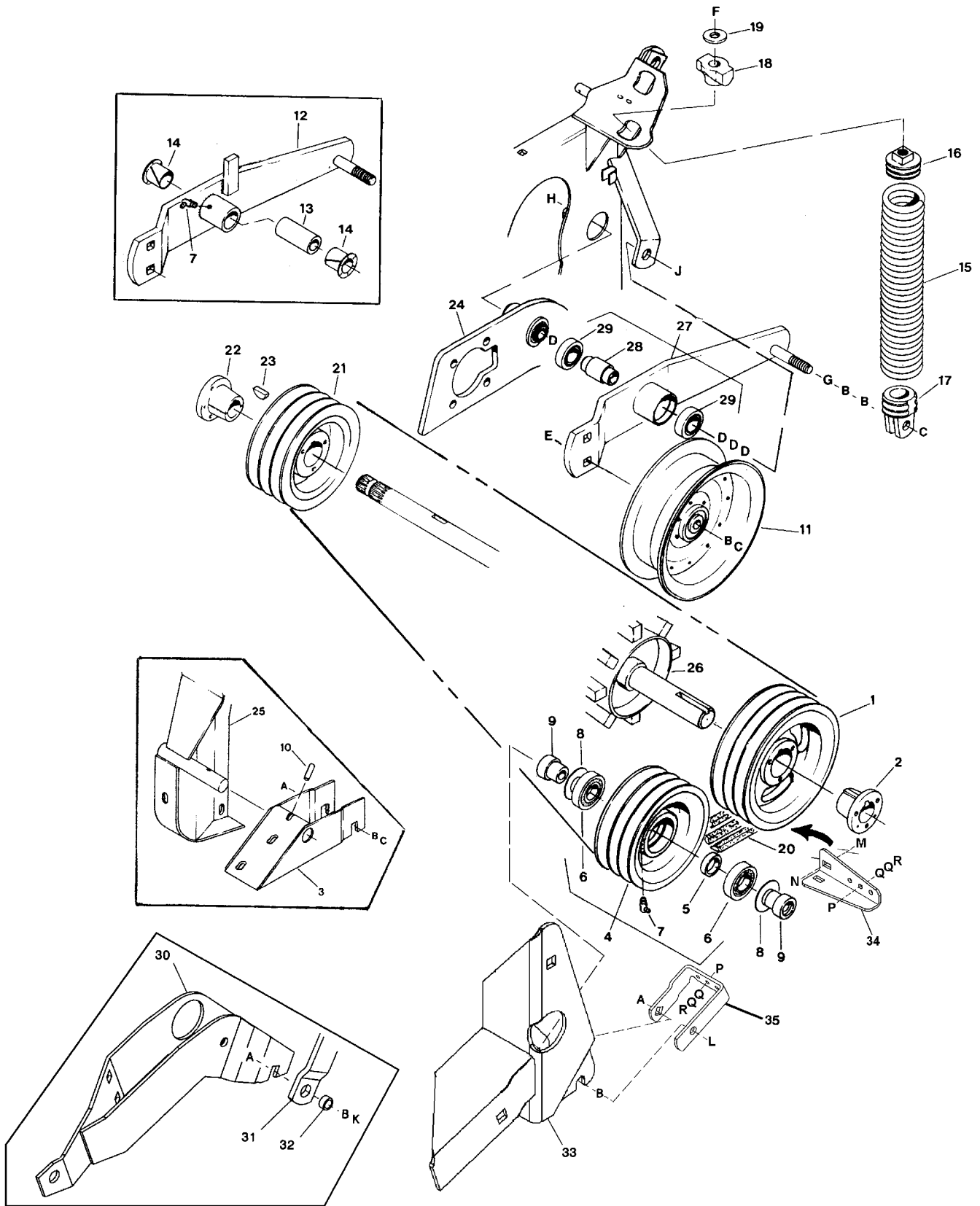
741/941 Hay Conditioner
FRAME, ROLLS & ROLL ARMS



**741/941 Hay Conditioner
FRAME, ROLLS & ROLL ARMS**

REF	PART NUMBER	DESCRIPTION	QTY	SERIAL NUMBER
1	52041	PANEL - side, left	1	
	52042	PANEL - side, right	1	
2	47703	ROLL - upper	1	
3	47711	SHAFT - upper roll, left (welded)	1	
	47713	SHAFT - roll, right (welded)	1	
4	47704	ROLL - lower	1	
5	47712	SHAFT - lower roll, left (welded)	1	
	47713	SHAFT - roll, right (welded)	1	
6	115772	ARM - upper roll, with bushing (was 52027)	2	
7	30574	BUSHING - rubber	2	
8	47720	GUARD - anti-wrap (not exactly as shown)	4	-108199
	101173	COVER - bearing	4	108200-
9	47033	COVER - bearing	4	-108199
10	47035	SPACER - neoprene (38 mm long)	4	-102199
	47034	SPACER - neoprene (12 mm long)	4	102200-108199
11	30031	BEARING - with lock collar	4	
12	30576	FLANGE - bearing, inner	4	
13	50182	FLANGE - bearing, with lube hole (less fitting)	4	
14	50187	FITTING - adapter	4	
15	47723	HOSE - lube, except to top left bearing	3	
	47724	HOSE - lube, top left bearing	1	
16	50188	FITTING - lube	4	
17	52080	ADAPTER - front mounting (straight pin instead of bushings)	1	-115999
	102955	ADAPTER - front mounting, with 3 bushings (item 21)	1	116000-131619
	115770	ADAPTER - front mounting, with 2 bushings (item 21)	1	131620 -
18	52040	COVER - top	1	
19	52102	SHOE - left	1	
20	52117	SHOE - right	1	
21	21897	BUSHING - rubber (qty 3 for serial number 116000-131619)	2	116000 -
A	30906	BOLT - hex head, 3/4 NC x 7 1/2 inch (left roll arm)		
	30876	BOLT - hex head, 3/4 NC x 4 inch (right roll arm)		
B	18689	NUT - lock, 3/4 NC distorted thread		
C	18723	BOLT - hex head, 1/2 NC x 1 1/2 inch (upper roll)		
	21491	BOLT - hex head, 1/2 NC x 1 1/4 inch (lower roll)		
D	18638	WASHER - lock, 1/2 inch		
E	21868	BOLT - round head, short square neck, 1/2 NC x 1 inch		
F	18591	NUT - hex, 1/2 NC		
G	18599	WASHER - flat, 17/32 inch I.D.		
H	21471	BOLT - round head, square neck, 1/2 NC x 1 1/4 inch		

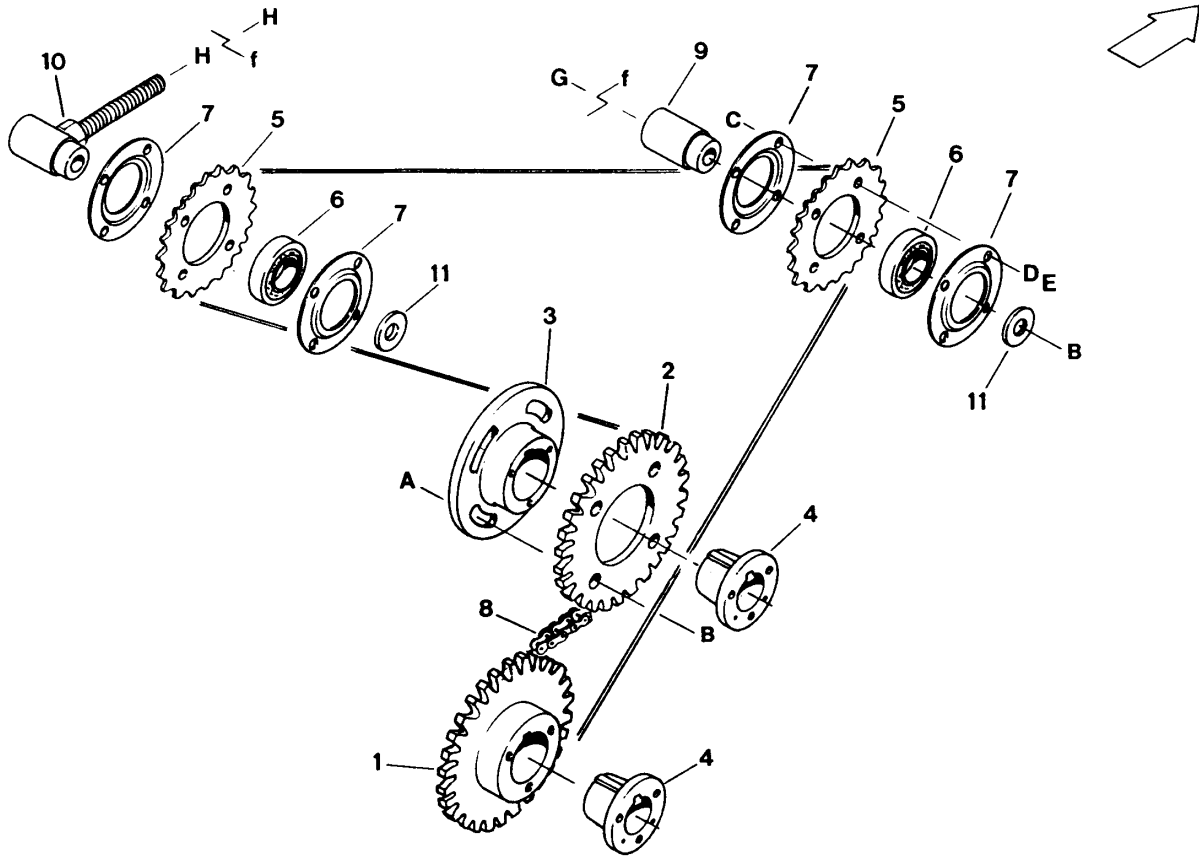
741/941 Hay Conditioner L/H DRIVES



**741/941 Hay Conditioner
L/H DRIVES**

REF	PART NUMBER	DESCRIPTION	QTY	SERIAL NUMBER
1	47972	PULLEY - driven, lower roll	1	
2	30256	BUSHING - split taper, with bolts & inner/outer key	1	
3	52012	SUPPORT - idler	1	-115999
4	115890	PULLEY ASSEMBLY - idler, includes items 5, 6 & 7 (was 47975)	1	
5	47976	SPACER - bearing.....	1	
6	30090	BEARING - ball.....	2	
7	21301	FITTING - lube, 45° (qty. 2 for serial no. 102199 and below).....	1	
8	47978	WASHER - flat	2	
9	47977	SPACER - stepped.....	2	
10	16008	PIN - roll, 5/16 x 1 1/2 inch	1	-115999
11	47966	PULLEY - flat idler	1	
12	52123	ARM - idler.....	1	-102199
13	52129	SPACER - tube.....	1	-102199
14	50191	BEARING - flanged	2	-102199
15	47048	SPRING - idler tension	1	
16	47922	INSERT - spring, with threaded hole	1	
17	47925	INSERT - spring, with clevis	1	
18	36011	PIVOT - spring.....	1	
19	22072	WASHER - flat	1	
20	47994	BELT - matched set of three, use with 942 Multi-Crop Header.....	1	
	101110	BELT - matched set of three, use with 972 Harvest Header.....	1	
21	47969	PULLEY - driver, header drive shaft.....	1	
22	21934	BUSHING - split taper, with bolts & outer key	1	
23	11142	KEY - woodruff, 5/16 x 1 1/8 diameter	1	
24	REF	ARM - upper roll, see page 3		
25	REF	ADAPTER - front, see page 3		
26	REF	ROLL - lower, see page 3		
27	52159	ARM - idler, with spacer and bearings (items 28 & 29)	1	102200-
28	52161	SPACER - machined.....	1	102200-
29	21062	BEARING - ball.....	2	102200-
30	REF	SUPPORT - left, see page 9	1	116000-131619
31	REF	BAR - support, left, see page 9	1	116000-131619
32	REF	SPACER - see page 9	1	116000-131619
33	REF	SUPPORT - left, see page 9	1	131620-
34	115896	ANGLE - clean out bolt mounting, driven pulley.....	1	131620-
35	115892	SUPPORT - clean out bolt mounting, idler pulley	1	131620-
A	21162	BOLT - round head, square neck, 5/8 NC x 4 1/2 inch		
B	18600	WASHER - flat, 21/32 inch I.D.		
C	18666	NUT - lock, 5/8 NC distorted thread		
D	18601	WASHER - flat, 13/16 inch I.D.		
E	18525	BOLT - round head, square neck, 5/8 NC x 2 1/2 inch		
F	50190	BOLT - hex head, 5/8 NC x 7 1/2 inch, thread full length		
G	18593	NUT - hex, 3/4 NC (spacer)		
H	30906	BOLT - hex head, 3/4 NC x 7 1/2 inch		
J	18689	NUT - lock, 3/4 NC distorted thread		
K	21941	NUT - lock, jam 5/8 NC distorted thread		
L	50225	NUT - lock, smooth flange, 5/8 NC distorted thread		
M	21863	BOLT - round head, square neck, 3/8 NC x 3/4 inch		
N	30228	NUT - lock, smooth flange, 3/8 NC distorted thread		
P	21473	BOLT - hex head, 5/16 NC x 1-1/4 inch		
Q	18597	WASHER - flat, 11/32 inch I.D.		
R	21403	NUT - serrated flange lock, 5/16 NC		

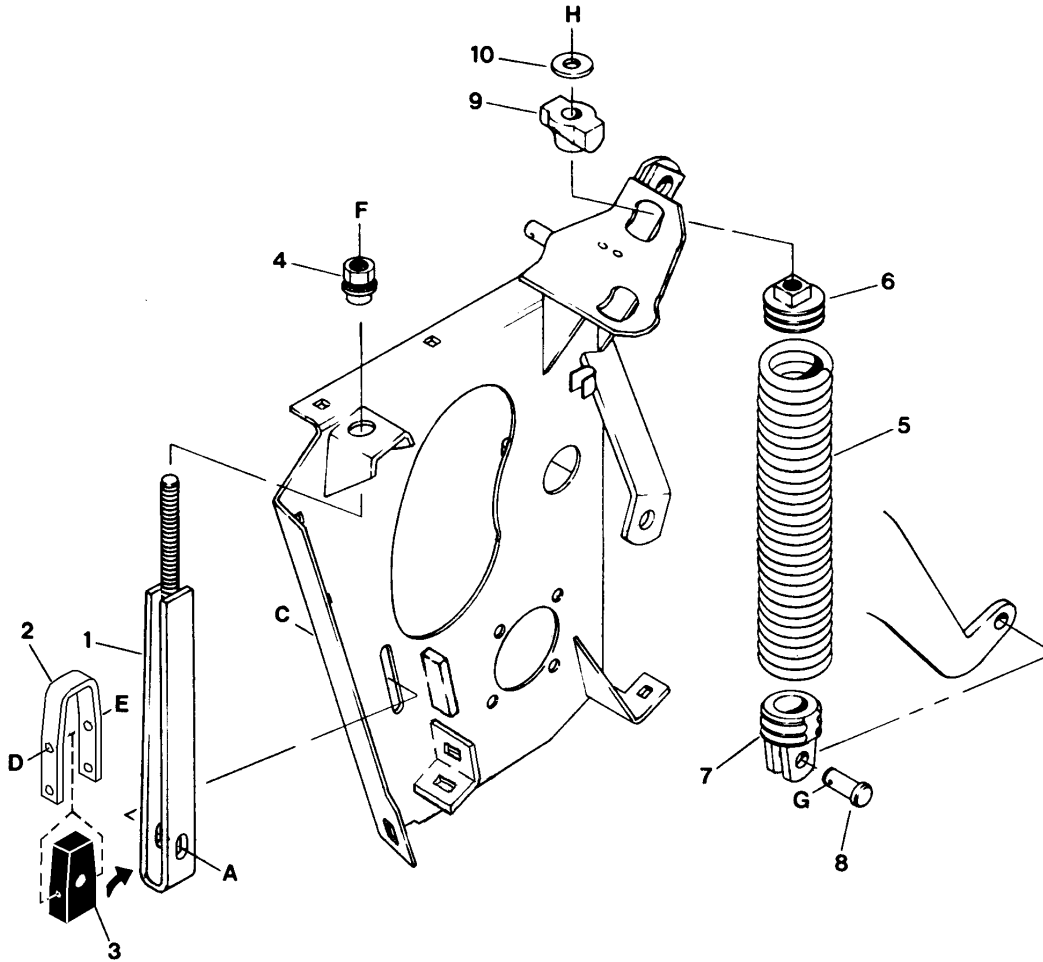
741/941 Hay Conditioner
R/H DRIVES



REF	PART NUMBER	DESCRIPTION	QTY	SERIAL NUMBER
1	28496	SPROCKET - lower roll	1	
2	47987	SPROCKET - upper roll	1	
3	47982	HUB - sprocket.....	1	
4	30256	BUSHING - split taper, with bolts & inner/outer key	2	
5	28482	SPROCKET - idler.....	2	
6	30090	BEARING - ball.....	2	
7	28491	RETAINER - bearing	4	
8	52116	CHAIN - roller, #60 x 104 links, endless.....	1	
9	52111	PIN - front idler	1	
10	52110	PIN - rear idler, with adjusting bolt.....	1	
11	22072	WASHER - flat	2	
A	18523	BOLT - round head, square neck, 5/8 NC x 1 1/2 inch		
B	18666	NUT - lock, 5/8 NC distorted thread		
C	21087	BOLT - hex head, 5/16 NC x 1 inch		
D	18636	WASHER - lock, 5/16 inch		
E	18589	NUT - hex, 5/16 NC		
G	21158	BOLT - round head, square neck, 5/8 NC x 4 inch		
H	18592	NUT - hex, 5/8 NC		

~ f REF Indicates where hardware passes through frame member.

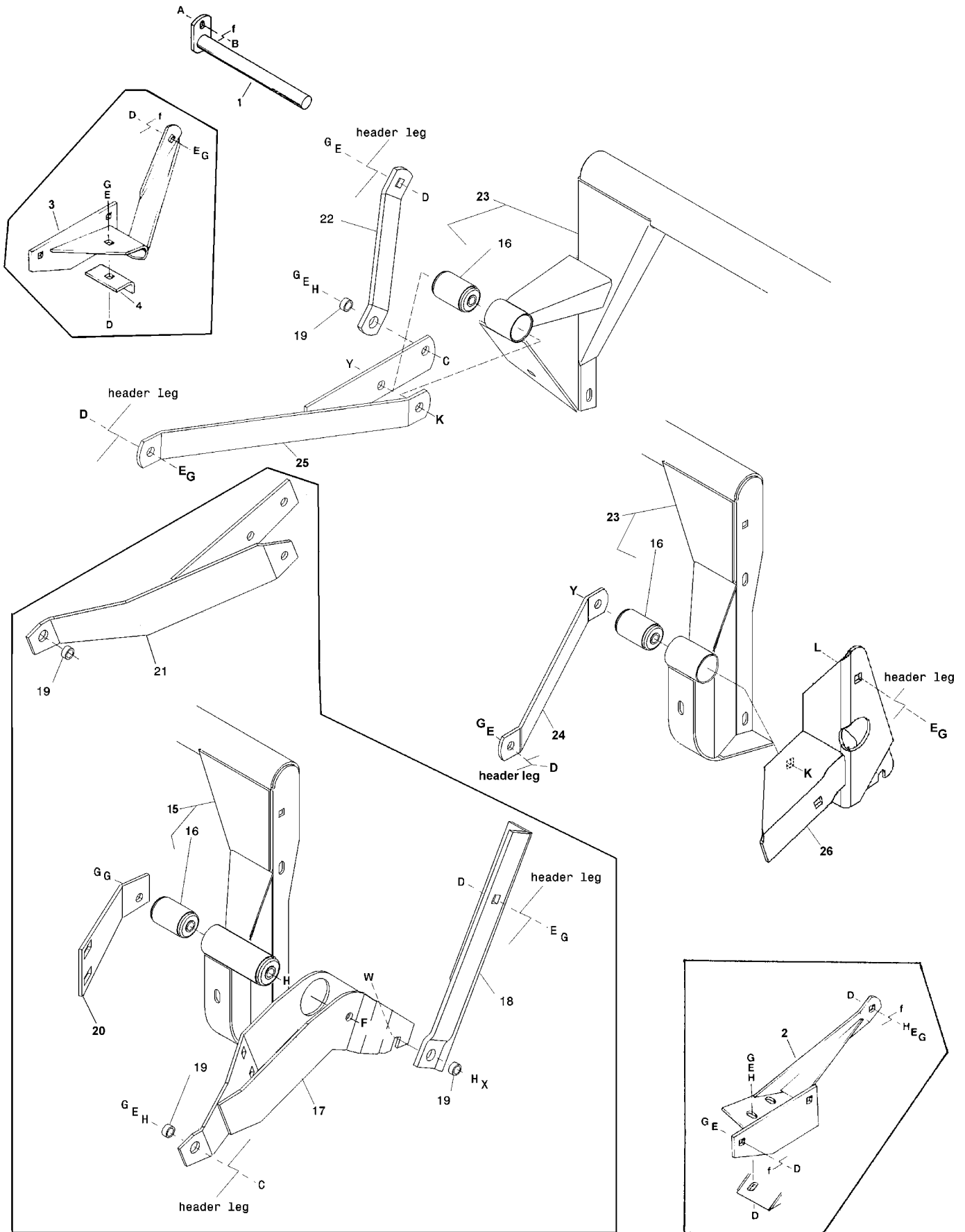
741/941 Hay Conditioner ROLL GAP & TENSION GROUP



REF	PART NUMBER	DESCRIPTION	QTY	SERIAL NUMBER
1	52073	ROD - roll gap adjuster.....	2	
2	115763	CHANNEL - adjuster (see note 1)	2	
3	115764	PAD - rubber (see note 1)	2	
4	52140	TUBE - adjuster.....	2	
5	47048	SPRING - roll tension	2	
6	47922	INSERT - spring, with threaded hole.....	2	
7	47925	INSERT - spring, with clevis.....	2	
8	18619	PIN - clevis, 5/8 dia. x 1 3/16 effective length	2	
9	36011	PIVOT - spring.....	2	
10	22072	WASHER - flat	2	
A	21474	BOLT - round head, square neck, 1/2 NC x 2 inch		
C	50186	NUT - lock, smooth flange, 1/2 NC distorted thread		
D	21563	BOLT - hex head, 5/16 NC x 2 1/2 inch		
E	30280	NUT - lock, smooth flange, 5/16 NC distorted thread		
F	18592	NUT - hex, 5/8 NC		
G	18648	PIN - cotter, 3/16 x 1 1/4 inch		
H	21584	BOLT - hex head, 5/8 NC x 2 1/2 inch		

NOTE: 1. If replacing items 2 or 3 without tapered top section, order both items to ensure proper fit.

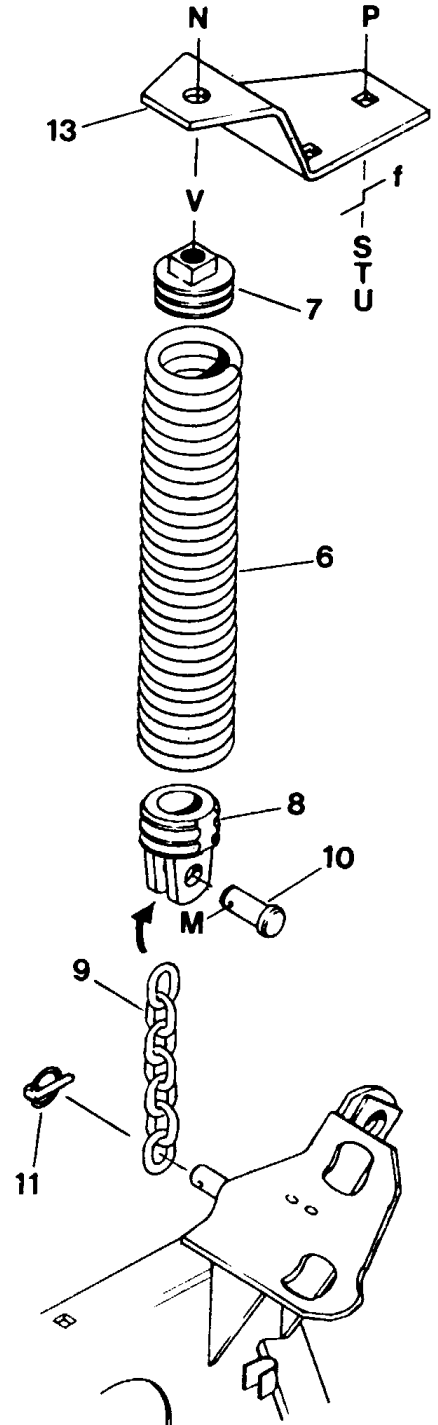
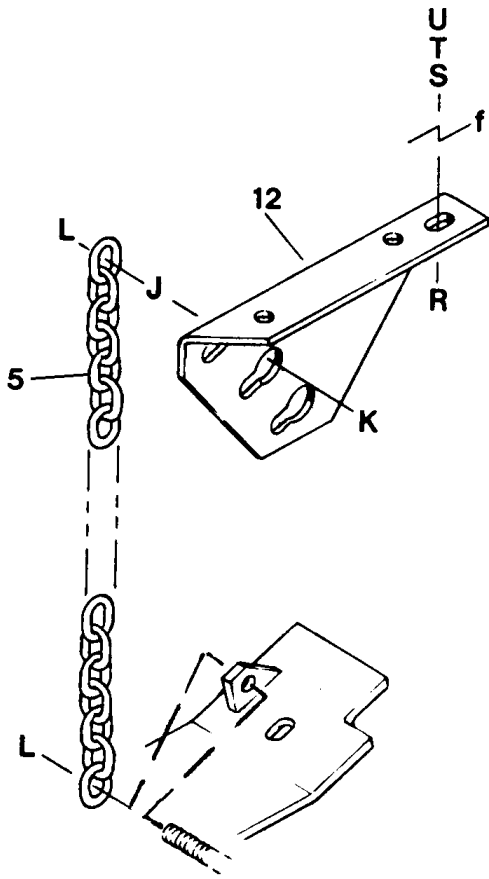
741/941 Hay Conditioner HEADER MOUNTING PARTS



**741/941 Hay Conditioner
HEADER MOUNTING PARTS**

REF	PART NUMBER	DESCRIPTION	QTY	SERIAL NUMBER
1	52035	ROD - conditioner stop, mounts through header R/H leg	1	
2	52000	SUPPORT - conditioner, left	1	-115999
3	52007	SUPPORT - conditioner, right	1	-115999
4	47519	ANGLE - keeper	1	-115999
15	102955	ADAPTER - mounting, includes 3 bushings (item 16)	1	116000-131619
16	21897	BUSHING - rubber (qty 3 for serial number 116000-131619)	2	116000 -
17	102992	SUPPORT - left	1	116000-131619
18	115304	BAR - support, left	1	116000-131619
19	102921	SPACER - tube (qty 4 for serial number 116000-131619)	1	116000 -
20	115303	BAR - bushing support	1	116000-131619
21	102996	SUPPORT - right	1	116000-131619
22	115307	BAR - support, right	1	116000 -
23	115770	ADAPTER - mounting, includes 2 bushings (item 16)	1	131620 -
24	115765	BAR - bushing support	1	131620 -
25	115805	SUPPORT - right	1	131620 -
26	115766	SUPPORT - left	1	131620 -
A	21863	BOLT - round head, short square neck, 3/8 NC x 3/4 inch		
B	30228	NUT - lock, smooth flange, 3/8 NC distorted thread		
C	21582	BOLT - hex head, 5/8 NC x 1 3/4 inch		
D	18523	BOLT - round head, square neck, 5/8 NC x 1 1/2 inch		
E	18639	WASHER - lock, 5/8 inch		
F	21779	BOLT - hex head, 5/8 NC x 8 inch		
G	18592	NUT - hex, 5/8 NC		
H	18600	WASHER - flat, 21/32 inch I.D.		
K	50225	NUT - lock, smooth flange, 5/8 NC, distorted thread		
L	103562	BOLT - round head, square neck, 5/8 x 1-1/4 inch		
W	21162	BOLT - round head, square neck, 5/8 NC x 4 1/2 inch		
X	21941	NUT - hex jam, 5/8 NC distorted thread		
Y	21562	BOLT - hex head, 5/8 NC x 5 inch.		
~ f	REF	Indicates where hardware passes through frame member.		

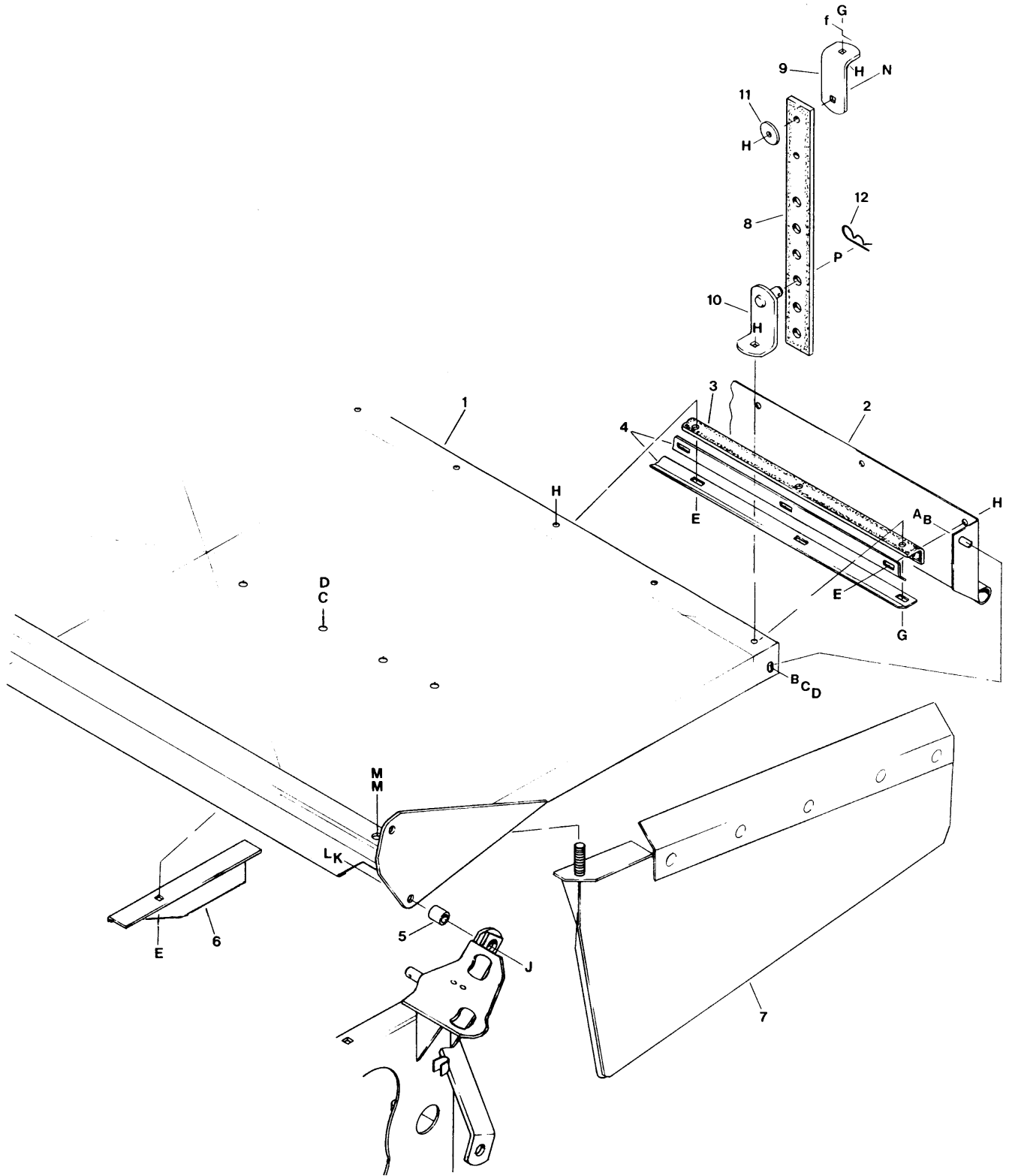
741/941 Hay Conditioner FLOAT GROUP



**741/941 Hay Conditioner
FLOAT GROUP**

REF	PART NUMBER	DESCRIPTION	QTY	SERIAL NUMBER
5	47999	CHAIN - link, right.....	1	
6	47048	SPRING - conditioner float	1	
7	47922	INSERT - spring, with threaded hole	1	
8	47925	INSERT - spring, with clevis	1	
9	47981	CHAIN - link, left.....	1	
10	18619	PIN - clevis, 5/8 x 1 3/16 inch effective length.....	1	
11	50193	PIN - lynch	1	
12	52120	SUPPORT - right chain, mounts to tractor frame.....	1	
13	52121	SUPPORT - float spring, mounts to tractor left floorboard.....	1	
J	18591	NUT - hex, 1/2 NC		
K	30515	BOLT - round head, square neck, 1/2 NC x 1 3/4 inch		
L	18697	NUT - lock, 1/2 NC distorted thread		
M	18648	PIN - cotter, 3/16 x 1 1/4 inch		
N	50080	BOLT - hex head, 5/8 NC x 4 1/2 inch, thread full length		
P	21471	BOLT - round head, square neck, 1/2 NC x 1 1/4 inch		
R	21491	BOLT - hex head, 1/2 NC x 1 1/4 inch		
S	18599	WASHER - flat, 17/32 inch I.D.		
T	18638	WASHER - lock, 1/2 inch		
U	18591	NUT - hex, 1/2 NC		
V	18592	NUT - hex, 5/8 NC		
~ f	REF	Indicates where hardware passes through frame member.		

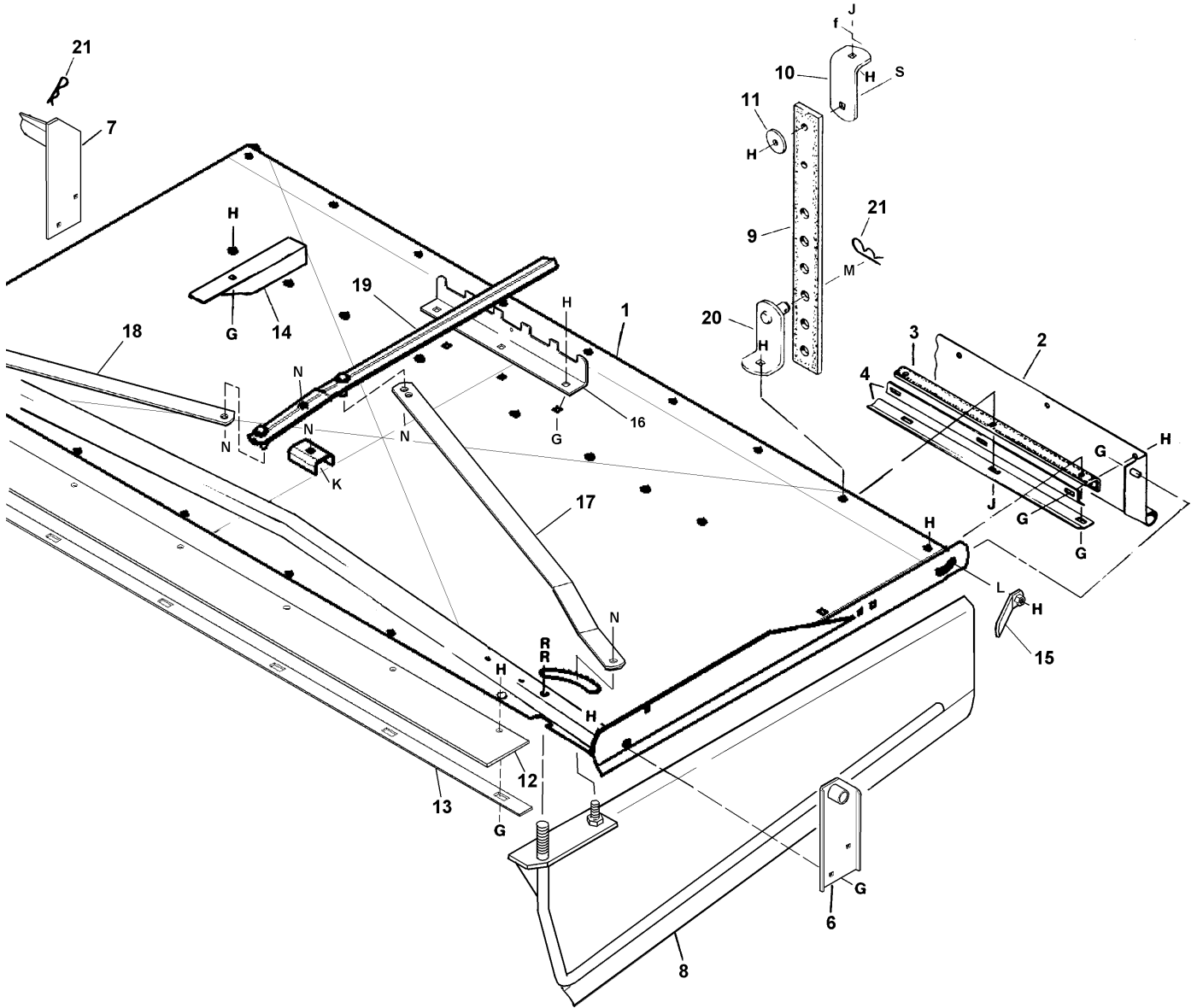
741/941 Hay Conditioner
FORMING SHIELD GROUP
Serial Number 131619 and below



741/941 Hay Conditioner
FORMING SHIELD GROUP
Serial Number 131619 and below

REF	PART NUMBER	DESCRIPTION	QTY	SERIAL NUMBER
1	52134	COVER - top	1	
2	52131	DEFLECTOR - rear	1	
3	47997	HINGE - rubber	1	
4	52132	STRAP - deflector hinge support.....	2	
5	52163	SPACER - front mount	2	
6	47042	DEFLECTOR - fin (4 standard, 8 possible).....	4	
7	47596	SHIELD - forming, left	1	
	47597	SHIELD - forming, right	1	
8	47996	STRAP - rubber, rear support	2	
9	47580	ANGLE - upper, tractor mounting.....	2	
10	52154	ANGLE - lower, with pin	2	
11	16652	WASHER - flat	2	
12	13125	PIN - hair	2	
A	20077	BOLT - hex head, 3/8 NC x 1 inch		
B	18598	WASHER - flat, 13/32 inch I.D.		
C	18637	WASHER - lock, 3/8 inch		
D	18590	NUT - hex, 3/8 NC		
E	21863	BOLT - round head, square neck, 3/8 NC x 3/4 inch		
G	19965	BOLT - round head, square neck, 3/8 NC x 1 inch		
H	30228	NUT - lock, smooth flange, 3/8 NC distorted thread		
J	21565	BOLT - hex head, 1/2 NC x 1 3/4 inch		
K	18638	WASHER - lock, 1/2 inch		
L	18591	NUT - hex, 1/2 NC		
M	18592	NUT - hex, 5/8 NC		
N	19966	BOLT - round head, square neck, 3/8 NC x 1 1/4 inch		
P	18600	WASHER - flat, 21/32 inch I.D.		
~ f	REF	Indicates where hardware passes through frame member.		

741/941 Hay Conditioner
FORMING SHIELD GROUP
Serial Number 131620 and above



**741/941 Hay Conditioner
FORMING SHIELD GROUP
Serial Number 131620 and above**

REF	PART NUMBER	DESCRIPTION	QTY	SERIAL NUMBER
1	115311	COVER - top	1	
2	47576	DEFLECTOR - rear	1	
3	47578	HINGE - rubber, rear	1	
4	47577	STRAP - deflector hinge support.....	2	
6	115800	SUPPORT - mounting, LH	1	
7	115801	SUPPORT - mounting, RH.....	1	
8	115300	SHIELD - forming, left	1	
	115301	SHIELD - forming, right	1	
9	47996	STRAP - rubber, rear support	2	
10	47580	ANGLE - tractor mounting.....	2	
11	16652	WASHER - flat	2	
12	115842	STRIP - rubber	1	
13	115843	BAR - support for item 12.....	1	
14	47042	DEFLECTOR - fin (4 standard, 8 possible).....	4	
15	115651	HANDLE - rear deflector.....	2	
16	115290	ANGLE - notched	1	
17	115294	LINK - L/H, side deflector	1	
18	115295	LINK, R/H, side deflector	1	
19	115296	HANDLE - side deflectors.....	1	
20	52154	ANGLE - lower, with pin.....	2	
21	13125	PIN - hair.....	3	
G	21863	BOLT - round head, square neck, 3/8 NC x 3/4 inch		
H	30228	NUT - lock, flange head, 3/8 NC distorted thread		
J	19965	BOLT - round head, square neck, 3/8 NC x 1 inch		
K	30027	BOLT - round head, square neck, 1/2 NC x 2 1/4 inch		
L	18598	WASHER - flat, 13/32 inch I.D.		
M	18600	WASHER - flat, 21/32 inch I.D.		
N	50186	NUT - lock, smooth flange, 1/2 NC distorted thread		
P	21478	BOLT - round head, square neck, 3/8 NC x 2 1/2 inch		
R	18592	NUT - hex, 5/8 NC		
S	19966	BOLT - round head, square neck, 3/8 NC x 1 1/4 inch		
~ f	REF	Hardware passes through frame member.		

NUMERICAL LIST

<u>PART NO.</u>	<u>PAGE</u>	<u>PART NO.</u>	<u>PAGE</u>	<u>PART NO.</u>	<u>PAGE</u>	<u>PART NO.</u>	<u>PAGE</u>
11142	5	47724	3	52163	13		
13125	13	47922	5	101110	5		
13125	15	47922	7	101173	3		
16008	5	47922	11	102921	9		
16652	13	47925	5	102955	3		
16652	15	47925	7	102955	9		
18619	7	47925	11	102992	9		
18619	11	47966	5	102996	9		
21062	5	47969	5	115290	15		
21301	5	47972	5	115294	15		
21897	3	47976	5	115295	15		
21897	9	47977	5	115296	15		
21934	5	47978	5	115300	15		
22072	5	47981	11	115301	15		
22072	6	47982	6	115303	9		
22072	7	47987	6	115304	9		
28482	6	47994	5	115307	9		
28491	6	47996	13	115311	15		
28496	6	47996	15	115651	15		
30031	3	47997	13	115763	7		
30090	5	47999	11	115764	7		
30090	6	50182	3	115765	9		
30256	5	50187	3	115766	9		
30256	6	50188	3	115770	3		
30574	3	50191	5	115770	9		
30576	3	50193	11	115772	3		
36011	5	52000	9	115800	15		
36011	7	52007	9	115801	15		
47033	3	52012	5	115805	9		
47034	3	52035	9	115842	15		
47035	3	52040	3	115843	15		
47042	13	52041	3	115890	5		
47042	15	52042	3	115892	5		
47048	5	52073	7	115896	5		
47048	7	52080	3				
47048	11	52102	3				
47519	9	52110	6				
47576	15	52111	6				
47577	15	52116	6				
47578	15	52117	3				
47580	13	52120	11				
47580	15	52121	11				
47596	13	52123	5				
47597	13	52129	5				
47703	3	52131	13				
47704	3	52132	13				
47711	3	52134	13				
47712	3	52140	7				
47713	3	52154	13				
47713	3	52154	15				
47720	3	52159	5				
47723	3	52161	5				

SUGGESTED STOCKING LIST

P.C. REF	PART NUMBER	DESCRIPTION	SUGGESTED QTY.		ORDER QTY	UNIT PRICE	EXT. PRICE
			2 UNITS	5 UNITS			
<u>FRAME, ROLLS & ROLL ARMS - Parts Catalog Pg 3</u>							
7	30574	BUSHING - rubber	0	1			
11	30031	BEARING - with lock collar	2	4			
12	30576	FLANGE - bearing, inner	0	1			
13	50182	FLANGE - bearing	0	1			
19	52102	SHOE - left	1	2			
20	52117	SHOE - right	0	1			
<u>L/H DRIVES - Parts Catalog Pg 5</u>							
6	30090	BEARING - ball	0	2			
14	50191	BEARING - flanged	0	1			
20	47994 *	BELT - matched set of three - 942	1	2			
	101110 *	BELT - matched set of three - 972	1	2			
<u>R/H DRIVES - Parts Catalog Pg 6</u>							
1	28496	SPROCKET - lower roll	0	1			
2	47987	SPROCKET - upper roll	0	1			
5	28482	SPROCKET - idler	0	2			
8	52116	CHAIN - roller	1	2			

* - Order to suit header type.