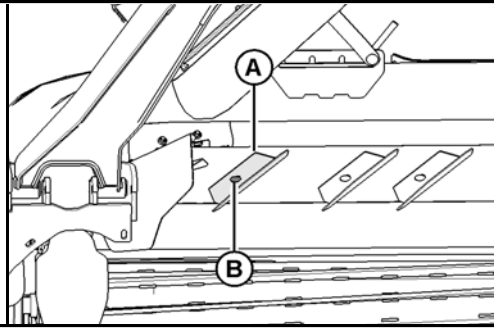


# R113/R116 SP Quick Card

Subject to change without notice.

Use this card as a guide only. Refer to your Operator's Manual for detailed settings and adjustment procedures.

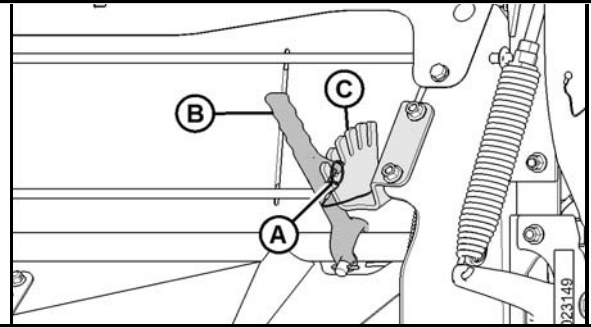
## Adjusting the Windrow



**Rear Baffle Deflector Fins**

**Control material distribution across windrow. Narrower windrow.**

1. Remove fins from storage position (on top of baffle).
2. Position deflector fin (A) under baffle.
3. Secure with existing bolt and nut (B) (bolt head facing down).
4. Adjust to approximately 60 degree angle (as shown).
5. Torque nut to 69 Nm (51 lbf-ft). Repeat on other side.

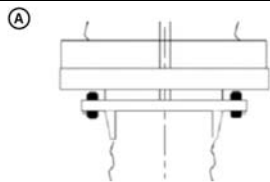


**Rear Baffle Plate (Roller Conditioner)**

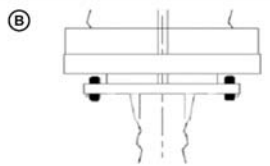
**Controls windrow height/width. Directs crop flow that affects width.**

1. Remove lynch pin (A).
2. Pull lever (B) inboard to disengage bracket (C):
  - Move lever forward (raise baffle) for narrow swath.
  - Move lever backward (lower baffle) for wide swath.
3. Release lever so tab engages the notch in bracket (C).
4. Secure lever with lynch pin (A).

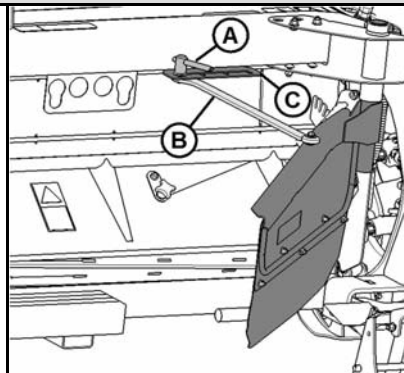
## Adjusting Side Deflectors (Roll Conditioner)



In wide swath (A), deflectors are angled outboard.



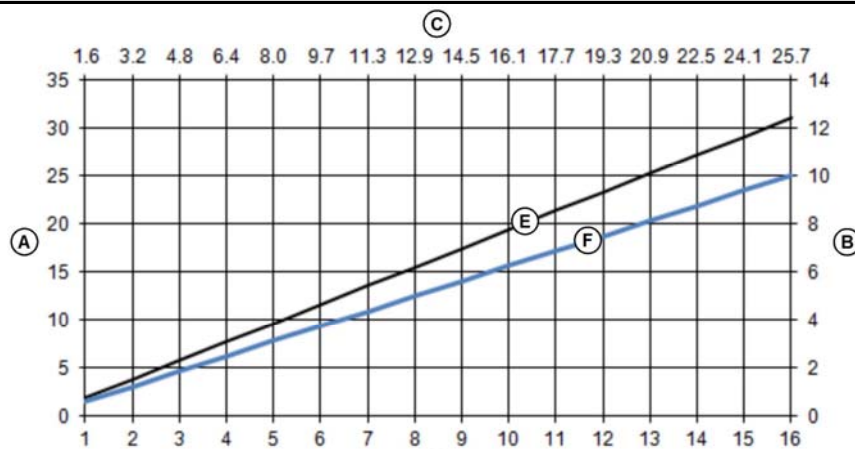
In narrow swath (B), deflectors are angled inboard.



**Controls windrow width and placement.**

1. Loosen locking handle (A).
2. Slide adjuster bar (B) along adjuster plate (C) to desired position.
3. Engage bar (B) into a notch in the adjuster plate.
4. Tighten locking handle (A).
5. Adjust other side to the same position.
6. Adjust rear baffle as required.

## Ground Speed Chart

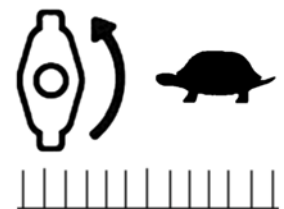


(A) acres/hr (B) hectares/hr (C) km/h (D) mph (E) R116 (F) R113

For firm and level ground, increase ground speed to 16 km/h (10 mph) or higher, or until cutting and conditioning quality are compromised.

For uneven and loose ground, slow ground speed to minimize bouncing, uneven stubble, and damage to the cutterbar.

## Disc Speed



**Light/Thin Crop**



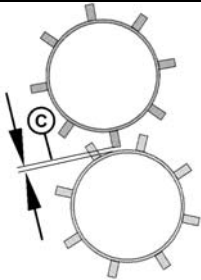
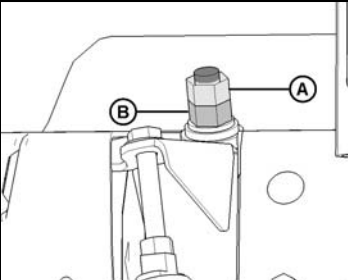
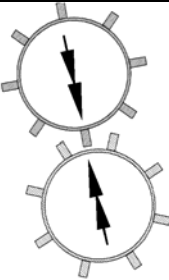
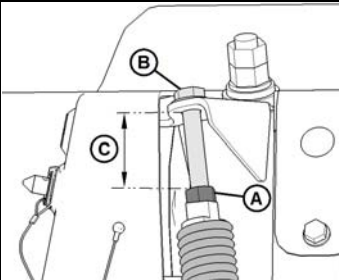
**Heavy/Tough Crop**

# R113/R116 SP Quick Card


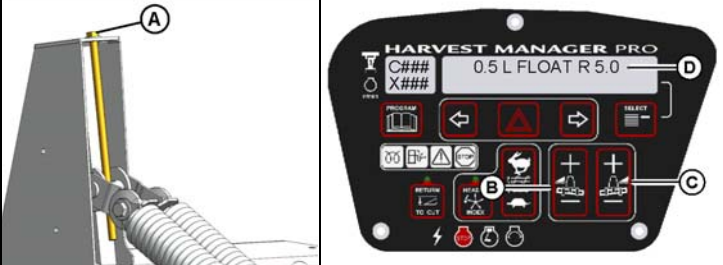
Subject to change without notice.

Use this card as a guide only. Refer to your Operator's Manual for detailed settings and adjustment procedures.

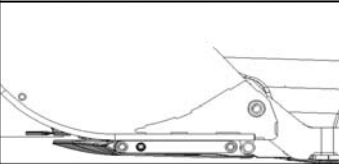
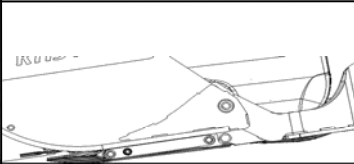
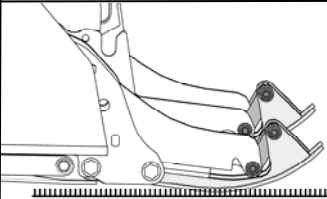
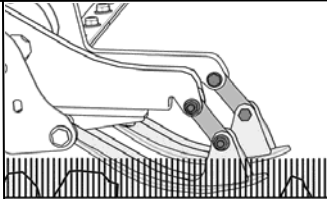
## Adjusting the Conditioner Rolls

Adjusting Roll Gap		Adjusting Roll Tension	
			
<p><b>Increase conditioning:</b></p> <ol style="list-style-type: none"> <li>Loosen jam nut (A).</li> <li>Turn lower nut (B) counterclockwise to decrease roll gap (C).</li> <li>Tighten jam nut (A).</li> </ol> <p><b>Decrease conditioning:</b></p> <ol style="list-style-type: none"> <li>Loosen jam nut (A).</li> <li>Turn lower nut (B) clockwise to increase roll gap (C).</li> <li>Tighten jam nut (A).</li> </ol>		<p><b>Decrease tension (light crops)</b></p> <ol style="list-style-type: none"> <li>Loosen jam nut (A).</li> <li>Turn bolt (B) counterclockwise to increase exposed thread (C).</li> <li>Tighten jam nut (A).</li> </ol> <p><b>Increase tension (heavy or tough crops)</b></p> <ol style="list-style-type: none"> <li>Loosen jam nut (A).</li> <li>Turn bolt (B) clockwise to decrease exposed thread (C).</li> <li>Tighten jam nut (A).</li> </ol> <p><b>NOTE:</b> Factory setting is suitable for most conditions.</p>	

## Setting Float

M1170/M1240	M155/M155E4
	
<ol style="list-style-type: none"> <li>Turn scroll knob (A) to highlight left float (B) or right float (C).</li> <li>Press knob (A) to activate selection.</li> <li>Rotate scroll knob to adjust float setting.</li> <li>Press scroll knob when finished.</li> </ol> <p><b>NOTE:</b> Adjust float in small increments.</p>	<ol style="list-style-type: none"> <li>Coarse adjust float with drawbolts (A) on both sides of windrower: <ul style="list-style-type: none"> <li>clockwise to increase float (makes header lighter).</li> <li>counterclockwise to decrease float (makes header heavier).</li> </ul> </li> <li>Fine adjust left float with switch (B) or right float with switch (C): <ul style="list-style-type: none"> <li>Setting displays at location (D).</li> <li>Press + to increase or - to decrease float.</li> </ul> </li> </ol>

## Adjusting Cutting Height

Shallow Angle	Steep Angle	Upper Position	Lower Position
			
<b>Header Angle</b>		<b>Skid Shoes</b>	
Use a shallow angle when ground is loose or uneven.	Use a steep angle when ground is firm, level, or smooth.	Use the upper position when ground is smooth, or to produce a short stubble.	Use the lower position when ground is uneven, or to produce a high stubble.
<b>NOTE:</b> Check float after significantly changing header angle.			