

**Model 962 / 963
30' & 36'
HARVEST HEADERS**

PARTS CATALOG

Inside Front Cover
(blank)

Model 962/963 HARVEST HEADER PARTS CATALOG

HEADER

MAIN FRAME, LIGHTS & ATTACHMENTS	2, 3
HEADER STANDS	4, 5
DRAPER DRIVE HYDRAULICS.....	6, 7
REEL LIFT AND DRIVE HYDRAULICS: 30' HEADER	8, 9
REEL LIFT AND DRIVE HYDRAULICS: 36' HEADER	10, 11
DRIVE SHAFT ASSEMBLY.....	12, 13
SICKLE AND DRIVE	14, 15
SEGMENTED SICKLE	16, 17
SICKLE DRIVE BOX	18, 19
DRAPERS & CARRIER DECKS	20, 21
DRAPER ROLLERS & TIGHTENER GROUP.....	22, 23
REEL DRIVE & SUPPORT ARMS	24 - 27
BAT REEL	28, 29

OPTIONS & ACCESSORIES

HYDRAULIC REEL FORE-AFT: 30'	30, 31
HYDRAULIC REEL FORE-AFT: 36'	32, 33
GAUGE WHEEL / TRANSPORT OPTION.....	34 - 37
GAUGE WHEELS (NO TRANSPORT).....	38, 39
SKID SHOES.....	40, 41
UPPER CROSS AUGER.....	42, 43

COMPLETION PACKAGES

WINDROWER ADAPTER GROUP: 9000 Series & Center Mount Bi-Directional Adapter.....	44, 45
DRIVELINE: 9000 Series Windrowers, 960 Combine Adapter, Bi-Directional Adapters.....	46, 47

DECALS, REFLECTORS & PAINT	48 - 50
---	----------------

NUMERICAL LIST	51 - 54
-----------------------------	----------------

SUGGESTED STOCKING LIST	55, 56
--------------------------------------	---------------

ABBREVIATIONS:

L/H - left hand (Determined from Operator's position,
R/H - right hand facing forward.)
I.D. - inside diameter
O.D. - outside diameter
A/R - as required (quantity varies with header size)
REF - reference, part number called up elsewhere in catalog
NC - national coarse thread
NF - national fine thread
NSS - not serviced separately

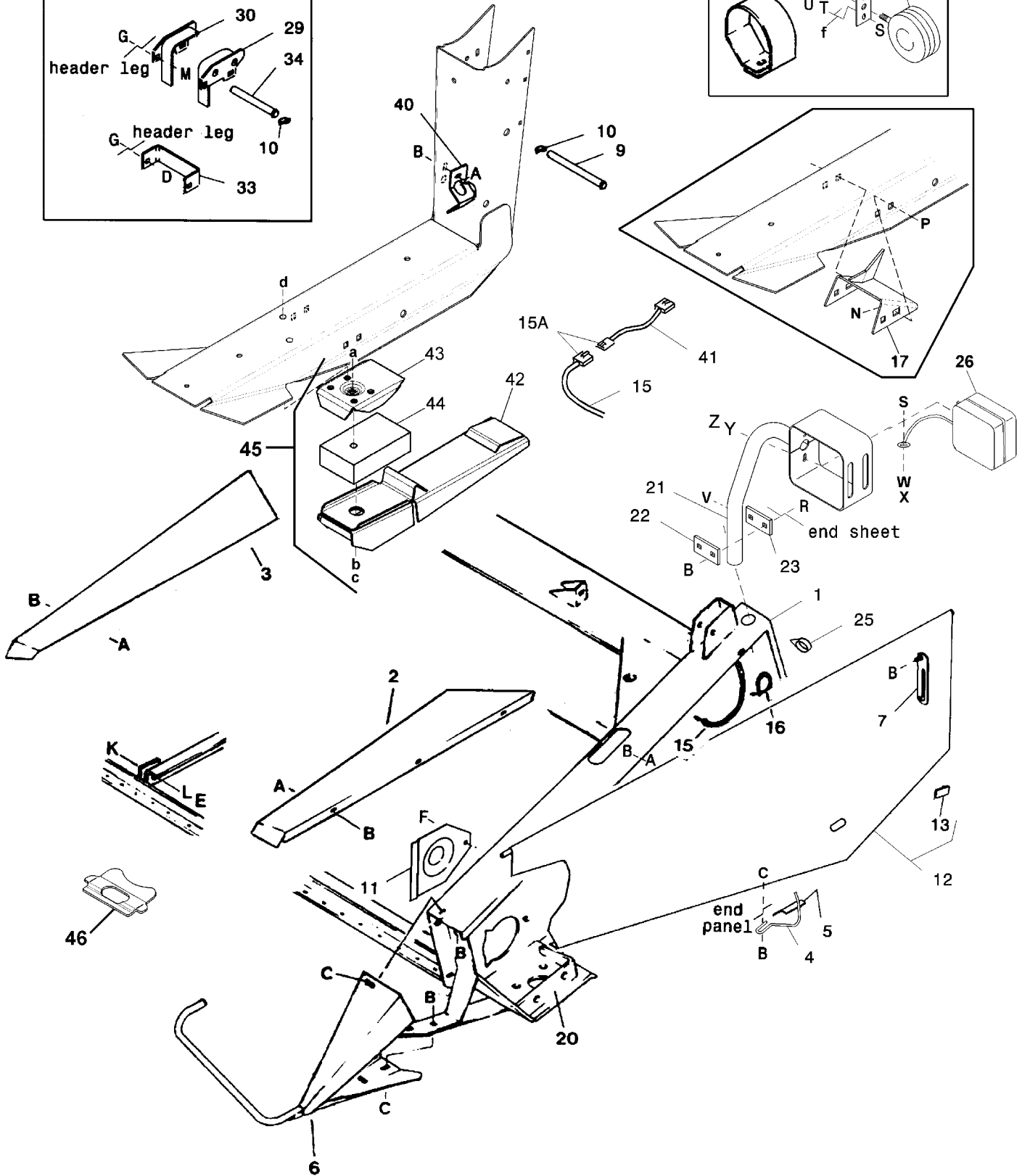
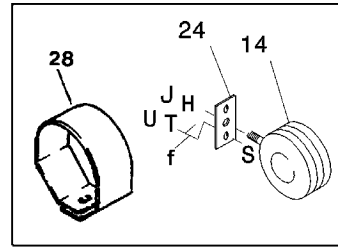
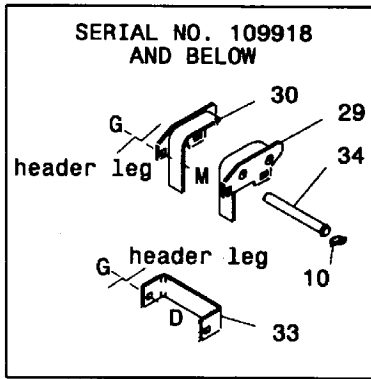
NOTE: Common hardware is not illustrated. Alphabetic references are used to designate position and description of these items.
When ordering, be sure the complete and proper serial number is given. Some parts vary with header size; be sure you are ordering the correct number for your header.

SERIAL NUMBER BREAKS:

Example: -115999 Used on machines up to and including serial number 115999.
116000- Used on machines including and after serial number 116000.

BOLDDED PART NUMBERS INDICATE REVISIONS OR ADDITIONS SINCE LAST PRODUCTION YEAR.

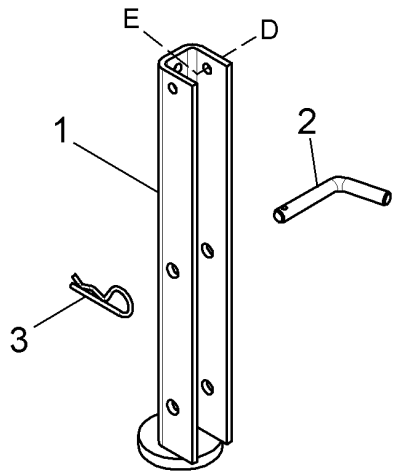
MAIN FRAME, LIGHTS & ATTACHMENTS



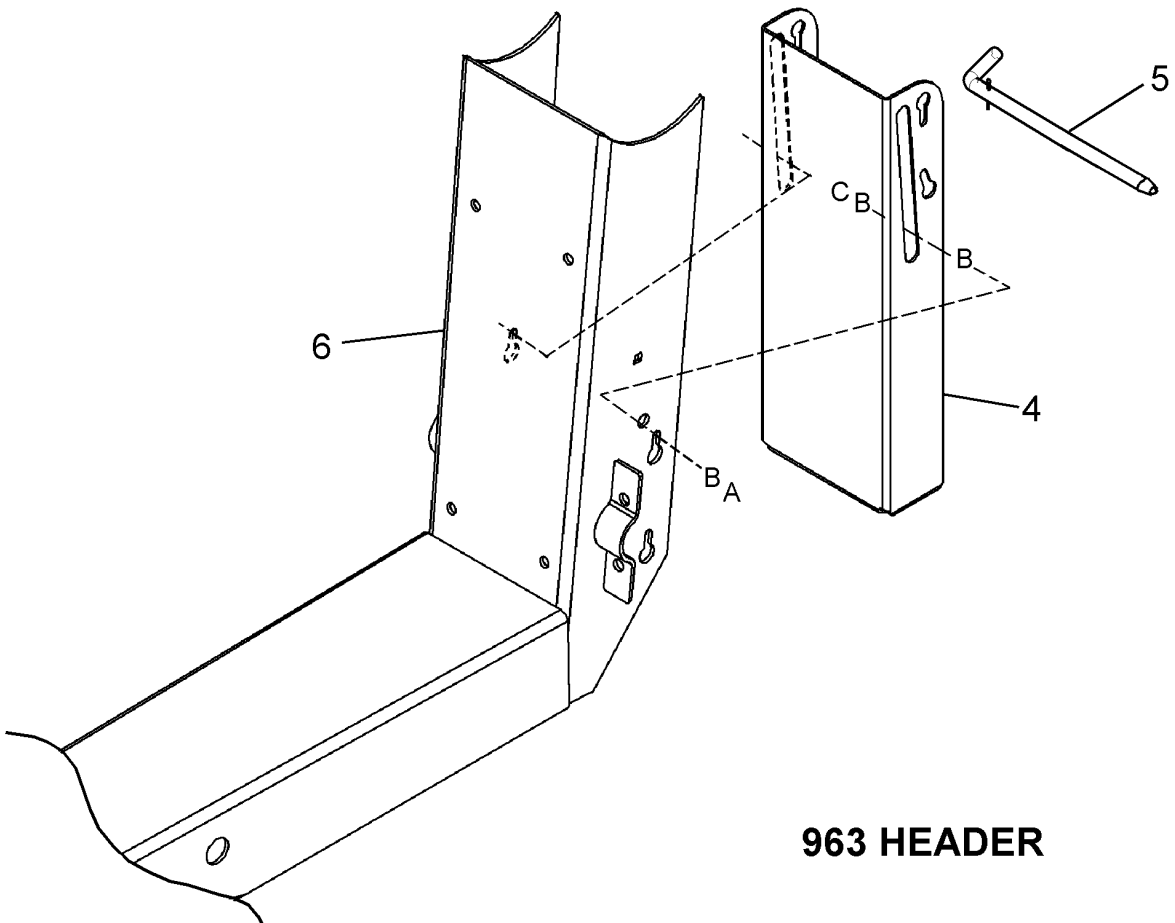
MAIN FRAME, LIGHTS & ATTACHMENTS

REF	PART NUMBER	DESCRIPTION	QTY	SERIAL NUMBER	
1	REF	FRAME - main, not serviced	1		
	32891	BAR - guard, repair piece 1500 mm long (5 ft.)			
	32892	TUBE - back, repair piece 1500 mm long (5 ft.)			
	43261	SUPPORT - sliding deck, repair piece 1590 mm long (5.3 ft.)			
	32893	CUTTERBAR - repair piece 1500 mm long (5 ft.)			
2	49076	DEFLECTOR - left side	1		
3	101019	DEFLECTOR - right side	1		
4	49661	CATCH ROD	1	109919-	
5	49660	HANDLE - shield catch	1	109919-	
6	38740	SHOE - divider, left	1		
	38741	SHOE - divider, right	1		
7	47876	BAR - adjusting, L/H shield	1		
9	135333	PIN - clevis, 3/4 x 6.7" effective length, combine applications only	2		
	49342	PIN - clevis, 3/4 x 7.87" effective length, windrower applications only	2		
10	50193	PIN - lynch	2		
11	37367	SHIELD - wobble box	1	-115999	
	102509	SHIELD - wobble box	1	116000-	
12	114127	SHIELD - left side, with decal & seals (does not include rainbow or ID decals)	1		
13	25059	SEAL - sponge	3		
14	16539	LIGHT - amber	2	-131619	
15	43101	HARNES - wiring, 30 ft. Double Delivery	1		
	43102	HARNES - wiring, 36 ft. Double Delivery	1		
15A	31062	CONNECTOR KIT - 3-way, includes male and female plugs			
16	16661	FASTENER - nylon tie	A/R		
17	119020	GUIDE - lower link, L/H, for 963 combine header	1	-156149	
	119023	GUIDE - lower link, R/H, for 963 combine header	1	-156149	
20	114027	SUPPORT - sickle drive box (welded)	1		
		NOTE: Also required - 32926 Welding Jig - TO BE RETURNED			
21	113471	SUPPORT - amber light, left	1	124500-	
	113473	SUPPORT - amber light, right	1	124500-	
22	113474	PLATE - steel, light support	2	124500-	
23	113475	PLATE - plastic, light support	2	124500-	
24	116035	ADAPTER - light support	2	124500-131619	
25	30542	CLIP - nylon, for wiring harness	A/R	-131619	
26	113511	LIGHT - amber, c/w hardware	2	131620-	
28	43711	GUARD - light	2	-124499	
29	100766	SUPPORT - left (mounts to upper member of header leg)	2	-109918	
30	100549	SUPPORT - right (mounts to upper member of header leg)	2	-109918	
33	100399	CHANNEL - front stop (mounts to lower member of header leg)	2	-109918	
34	100765	PIN - clevis, 3/4 x 6-1/4 inch effective length	2	-109918	
40	103239	RETAINER - left upper, used with 871/872 Combine Adapter only	1	109919-	
	103240	RETAINER - right upper, used with 871/872 Combine Adapter only	1	109919-	
41	REF	HARNES - wiring, adapter, see Combine Adapter Parts Catalog	1		
42	129159	SUPPORT - rubber isolator	2	156150-	
43	129162	COVER - rubber isolator	2	156150-	
44	129221	PAD - rubber isolator	2	156150-	
45	129160	RUBBER ISOLATOR ASSY - includes items 42, 43, 44, a, b, c	2	156150-	
46	129508	ANCHOR - transition plate, welded to cutterbar for 963/873 mounting	2	162250-	
A	21863	BOLT - rnd hd, sq nk, 3/8 NC x 3/4 "	R	21478	BOLT - rnd hd, sq nk, 3/8 NC x 2-1/2"
B	30228	NUT - lock, smth flg, 3/8" NC dist thd.	S	30242	BOLT - rnd hd, sq nk, 1/4 NC x 5/8"
C	19965	BOLT - rnd hd, sq nk, 3/8 NC x 1"	T	18635	WASHER - lock, 1/4 inch
D	21469	BOLT - rnd hd, sq nk, 1/2 NC x 1-1/2"	U	18588	NUT - hex, 1/4 NC
E	18669	NUT - lock, 3/8 inch NC dist. thread	V	50124	SCREW - hex washer head, 5/16 x 1/2
F	21821	BOLT - flange head, 3/8 NC x 3/4 inch			thread cutting
G	50186	NUT - lock, smth flg, 1/2 NC dist thd.	W	113757	WASHER - internal tooth lock, 1/4 NC
H	18638	WASHER - lock, 1/2 inch	X	18724	NUT - hex, lock, 1/4 NC, dist. thd.
J	6771	NUT - hex, 1/2 inch NF	Y	30506	NUT - hex, M5 x 0.8
K	20077	BOLT - hex head, 3/8 NC x 1 inch	Z	109126	NUT - lock, M5 x 0.8
L	18637	WASHER - lock, 3/8 inch	a	30266	BOLT - round head, sq neck, 1/2 NC x 3"
M	21066	BOLT - rnd hd, sq nk, 1/2 NC x 1 inch	b	42592	WASHER - flat, 13.5mm I.D. x 47mm O.D.
N	18523	BOLT - rnd hd, sq nk, 5/8 NC x 1-1/2"	c	21389	NUT - hex, lock, 1/2 NC
P	50225	NUT - lock, smth flg, 5/8 NC dist. thd.	d	135157	SCREW - torx head, 3/8 NC x 3/4"

HEADER STANDS



962 HEADER

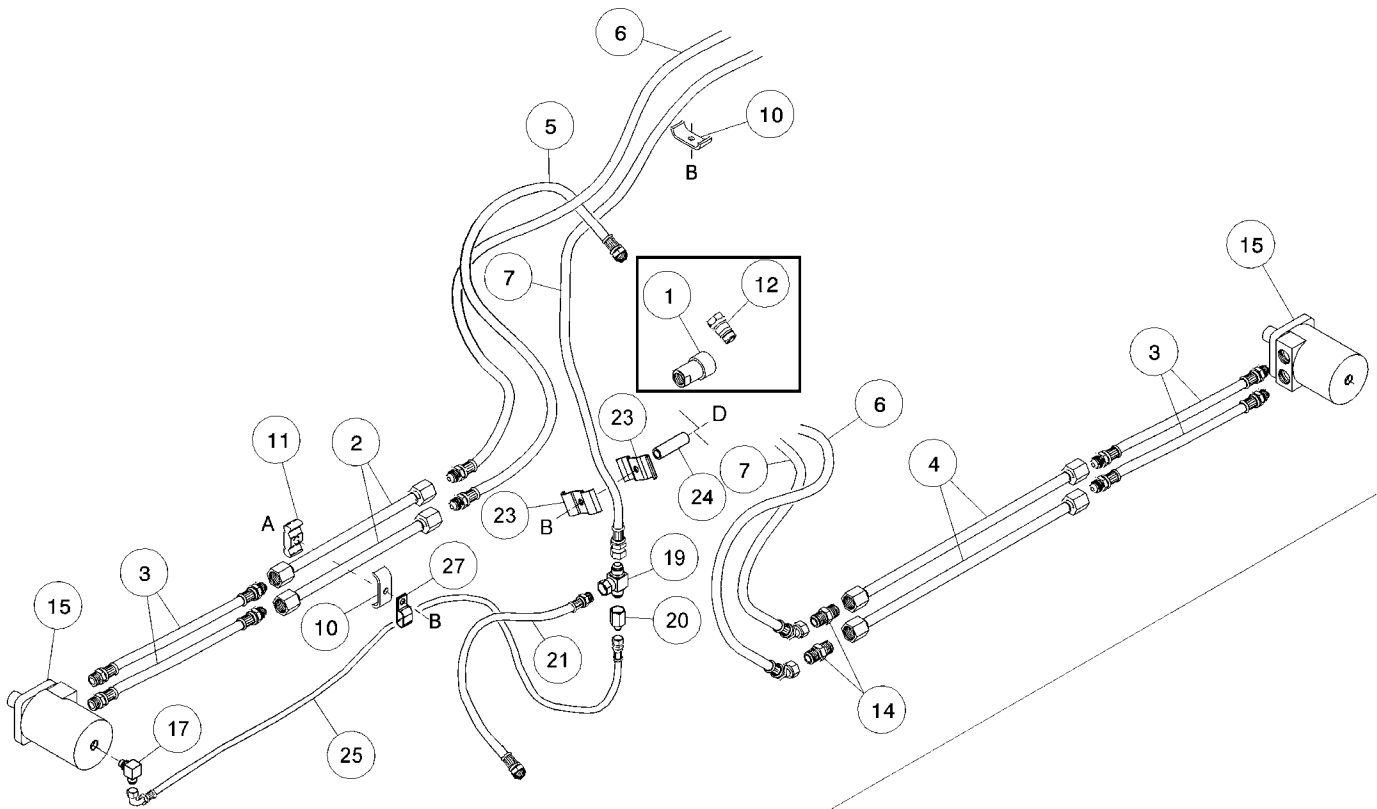


963 HEADER

HEADER STANDS

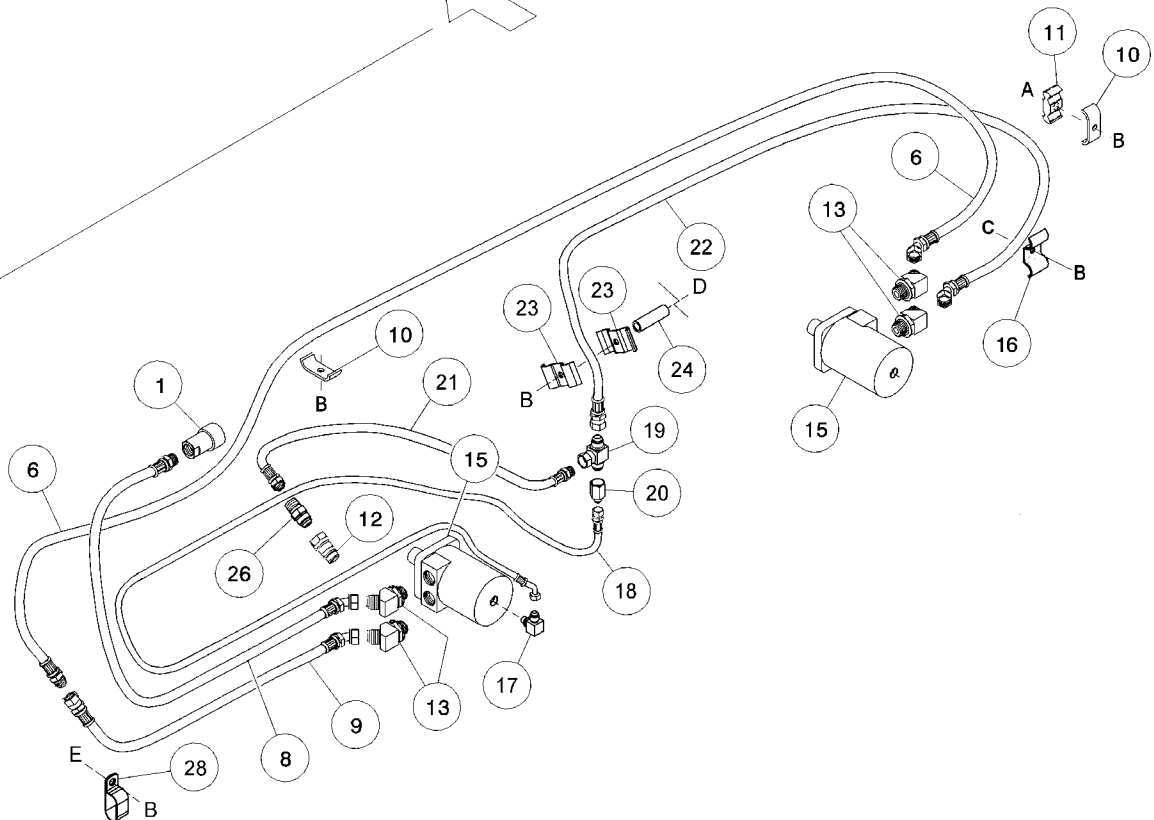
REF	PART NUMBER	DESCRIPTION	QTY	SERIAL NUMBER
1	43648	STAND – 962 header, 30' w/o gauge wheels.....	1	
2	13747	PIN - "L"	1	
3	13125	PIN - hair.....	1	
4	119009	STAND – 963 header, outboard legs	2	
5	43633	PIN – “L”, c/w roll pin	2	
	16266	PIN – roll, for pin 43633	2	
6	REF	LEG - 963 harvest header, outer	NSS	
A	30512	BOLT – hex head, 3/4 NC x 2 inch		
B	18601	WASHER – flat, 13/16 I.D.		
C	18689	NUT – lock, hex, 3/4 NC, distorted thread		
D	21567	BOLT – hex head, 3/8 NC x 3/4 inch		
E	30228	NUT – lock, smooth flange, 3/8 NC, distorted thread		

DRAPER DRIVE HYDRAULICS



**MOTORS OUTBOARD
(COMBINE ASSEMBLY)**

**MOTORS INBOARD
(WINDROWER ASSEMBLY)**



DRAPER DRIVE HYDRAULICS

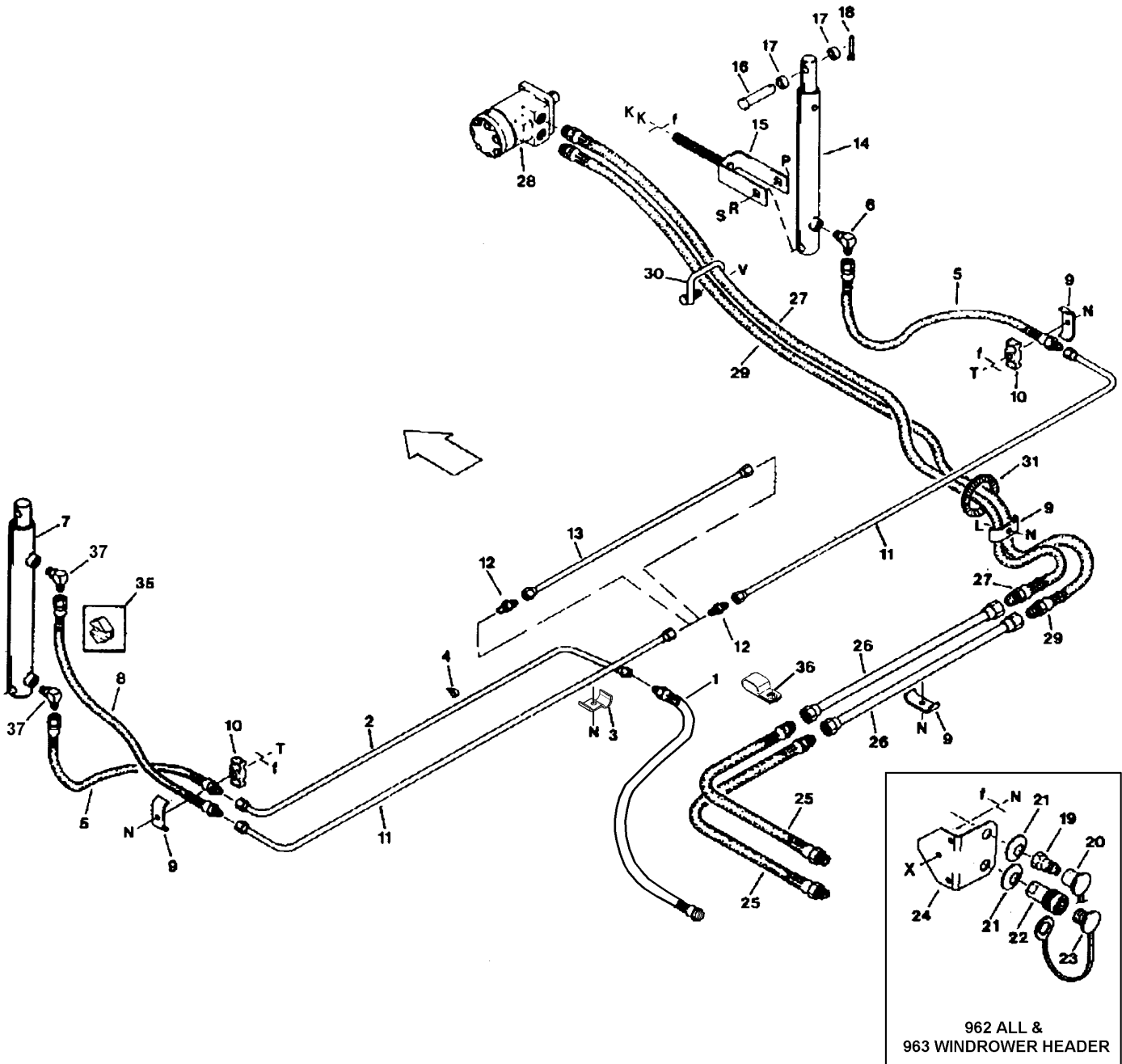
REF	PART NUMBER	DESCRIPTION	QTY	SERIAL NUMBER
1	21857	COUPLER – female, 962 all, and 963 windrower headers only	1	
	50082	O-RING - for coupler 21857		
2	43672	LINE - hydraulic, to and from left outboard draper motor - 30' header	2	
	43671	LINE - hydraulic, to and from left outboard draper motor - 36' header	2	
3	43615	HOSE - outboard draper motor, with O-ring	4	
	44210	O-RING - 7/8 inch, hose to motor connection		
4	101916	LINE - hydraulic, to and from right outboard draper motor - 30' header	2	
	43667	LINE - hydraulic, to and from right outboard draper motor - 36' header	2	
5	43624	HOSE - to left outboard draper motor, 962 combine header only	1	
	116034	HOSE – to left outboard draper motor, 963 combine header only.....	1	
6	101919	HOSE - from left draper motor to right draper motor	1	
7	102176	HOSE - draper flow return, 962	1	
	116032	HOSE – draper flow return, 963 without case drain	1	-168559
	135422	HOSE – draper flow return, 963 with case drain	1	168560-
8	43768	HOSE - to left inboard draper motor.....	1	
9	101917	HOSE - from left inboard draper motor.....	1	
10	32225	HOLDER - hose.....	see note (1)	
11	37167	HOLDER - hose, plastic	see note (2)	
12	21855	COUPLER – male, 962 all, and 963 windrower headers only	1	
13	50103	FITTING - 45° elbow, 7/8 O-ring x 7/8 JIC, inboard draper motors	4	
14	30558	FITTING - union, 5/8 tube, outboard assembly	2	
15	REF	MOTOR - draper drive, see page 23	2	
16	114195	HOLDER – hose.....	1	
17	50104	FITTING – male elbow, 3/8 tube x 7/8 o-ring	1	168560-
18	153977	HOSE – case drain	1	168560-
19	30857	FITTING – swivel branch tee, 5/8 tube	1	168560-
20	118084	FITTING – reducing adapter, 5/8 tube x 3/8 tube	1	168560-
21	153971	HOSE – return, tee to male coupler	1	168560-
22	102176	HOSE – draper flow return, without case drain	1	-168559
	135422	HOSE – draper flow return, with case drain	1	168560-
23	103685	HOLDER – hose	2	168560-
24	158172	SPACER – tube	1	168560-
25	135418	HOSE – case drain, 30' header	1	168560-
	135419	HOSE – case drain, 36 header	1	168560-
26	21746	FITTING – adapter, 5/8 tube x 1/2 NPT	1	168560-
27	135234	HOLDER – hose	3	168560-
28	50022	HOLDER – 3 hose	2	
A	21470	BOLT - round head, square neck, 3/8 NC x 2 inch		
B	30228	NUT - lock, smooth flange, 3/8 NC distorted thread		
C	19965	BOLT – round head, square neck, 3/8 NC x 1 inch		
D	21593	BOLT – hex head, 3/8 NC x 4 inch		
E	21863	BOLT – round head, square neck, 3/8 NC x 3/4 inch		

NOTES:

(1)- Quantities:Motors Outboard - 30' = 8, 36' = 10 / Motors Inboard = 2

(2)- Quantities:Motors Outboard - 30' = 7, 36' = 9 / Motors Inboard = 1

REEL LIFT & REEL DRIVE HYDRAULICS - 30'



REEL LIFT & REEL DRIVE HYDRAULICS - 30'

REF	PART NUMBER	DESCRIPTION	QTY	SERIAL NUMBER
1	36849	HOSE – extension, to reel lift line, 963 combine headers only	1	
	43626	HOSE – extension, to reel lift line, 962 windrower header & 963 windrower header.	1	
	43629	HOSE – extension, to reel lift line, 962 combine headers only	1	
2	43853	LINE - reel lift, to left cylinder: 30'	1	
3	29934	CLAMP - reel lift line	1	
4	30542	CLIP - nylon, hose	4	
5	32116	HOSE - reel lift cylinder	2	
6	30282	FITTING - 90° elbow, 9/16 O-ring x 3/8 tube, qty = 3 for up to ser. 167470	1	
7	129525	CYLINDER - double acting, reel lift, see note 2	1	
	21494	SEAL KIT – for older cylinder, see note 1	1	-138024
	118157	SEAL KIT – for newer cylinder, see note 1	1	138025-
	43802	PISTON - for double acting cylinder, (also order proper seal kit).....	1	
8	36849	HOSE – left reel lift cylinder	1	
9	32225	HOLDER - hose, steel	11	
10	37167	HOLDER - hose, plastic.....	2	
11	43661	LINE - reel lift, to cylinder.....	2	
12	30375	FITTING - 3/8 tube union.....	2	
13	43664	LINE - reel lift, connector: 30'.....	1	
14	29168	CYLINDER - single acting, reel lift	1	
	21495	SEAL KIT - for cylinder 29168	1	
15	37345	CLEVIS - cylinder adjusting	2	-115999
	103330	CLEVIS - cylinder adjusting, with bolt	2	116000-
16	18738	PIN - clevis, reel lift cylinder.....	2	
17	8640	SPACER - cylinder rod	4	
18	18648	PIN - cotter, 3/16 x 1-1/4 inch	2	
19	21855	FITTING - male quick coupler, 1/2 NPT, 962 all and 963 windrower header only.....	1	
20	21856	CAP - dust, for male coupler, 962 all and 963 windrower header only.....	1	
21	45153	WASHER – formed, 962 all and 963 windrower header only.....	2	
22	21857	FITTING - female quick coupler, 1/2 NPT, 962 all and 963 windrower header only..	1	
	50082	O-RING - for coupler 21857	1	
23	21858	PLUG - dust, for female coupler, 962 all and 963 windrower header only	1	
24	49109	HOLDER - hose coupler, 962 all and 963 windrower header only	1	
25	43630	HOSE - reel drive, 962 all and 963 windrower header only.....	2	
	100528	HOSE – reel drive, 963 combine header only.....	2	
26	37797	LINE - reel drive: 30'	2	
27	43612	HOSE - pressure to reel drive motor (top port)	1	
28	43011	MOTOR - reel drive, c/w key.....	1	
	2149	KEY - woodruff, SAE #15, for motor 43011	1	
	123314	SEAL KIT - for motor 43011 (was 101670).....	1	
29	43612	HOSE - return from reel drive motor (bottom port).....	1	
30	43597	GUIDE - reel drive hoses (not used with hydraulic reel fore-aft option)	1	
31	26671	CONDUIT - hose protector	2	
35	16568	RESTRICTOR - flow (to slow reel lift & drop rate, install in bottom port of item 7)....	1	
36	50022	CLIP – hose.....	2	
37	30283	FITTING – elbow, 90°, 3/4 O-ring x 3/8 tube.....	2	167471-
	44209	O-RING – for 3/4 fitting		

K	18592	NUT - hex, 5/8 NC	T	50197	BOLT - rnd hd, sq nk, 3/8 NC x 1-3/4"
L	21484	BOLT - rnd hd, sq nk, 3/8 NC x 1-1/2"	V	18697	NUT - lock, 1/2 NC distorted thread
N	30228	NUT - lock, smth flg, 3/8 NC, DT (962 headers only)	X	21863	BOLT - rnd hd, sq nk, 3/8 NC x 3/4" (962 headers only)
P	30829	BOLT - rnd hd, sq nk, 5/8 NC x 3-1/2"			
R	18600	WASHER - flat, 21/32 inch ID	~ f	REF	Indicates where hardware passes through frame member.
S	18666	NUT - lock, 5/8 NC distorted thread			

NOTES:

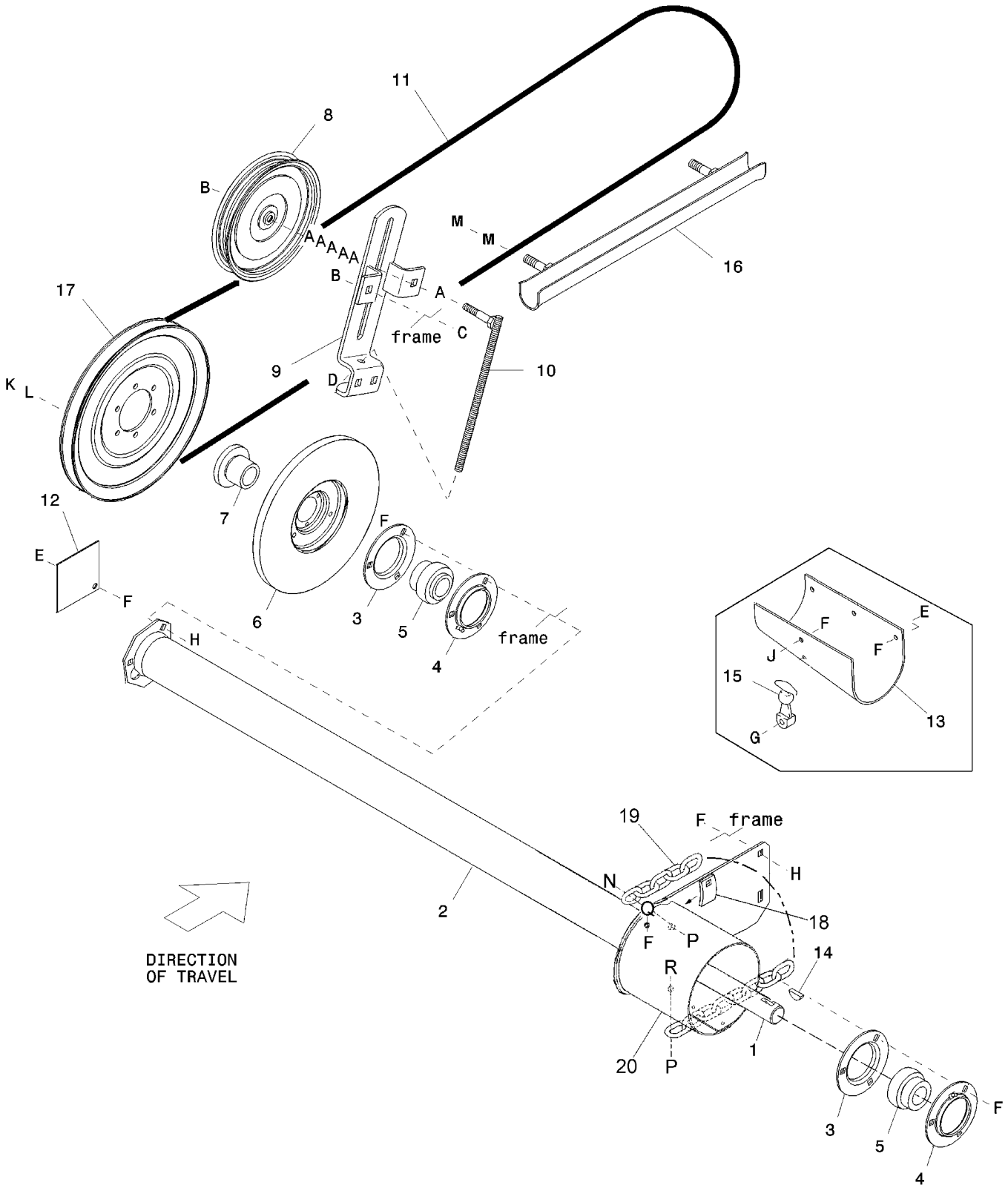
- When ordering seal kit for double acting cylinder (item 7), determine which kit you need as follows: Newer cylinders are identified by an ID sticker marked with the part no. If your cylinder has this ID sticker, order seal kit 118157. If there is no ID sticker, order seal kit 21494.
- For units with S.N 167470 and below, when replacing master reel lift cylinder (item 7) also order 3/4 O-ring fittings kit 129530.

REEL LIFT & REEL DRIVE HYDRAULICS - 36'

REF	PART NUMBER	DESCRIPTION	QTY	SERIAL NUMBER	
1	43626	HOSE – extension, to reel lift, 962 windrower header and 963 windrower header	1		
	43629	HOSE – extension, to reel lift, 962 combine headers only	1		
2	43640	HOSE - reel lift, to center cylinder	1	-167470	
	135356	HOSE – reel lift, to center cylinder	1	167471-	
3	37881	CONDUIT - hose protector, 962 only	1		
4	129524	CYLINDER - double acting, center reel lift (was 113834), see notes 1, 2 & 3	1		
	32416	SEAL KIT - for cylinder with 5/8 hole in cyl. Rod	1	-138024	
	113835	SEAL KIT – for cylinder with 3/4 hole in cyl. Rod	1	138025-	
	118474	PISTON – for center cylinder, (also order proper seal kit)	A/R		
5	37830	CLEVIS - center cylinder adjusting	1		
6	18667	PIN - clevis, 3/4 x 4-1/8 inch effective length	1		
7	103580	PIN - clevis, 5/8 x 3-3/4 inch effective length	1		
8	30282	FITTING - 90° elbow, 9/16 O-ring x 3/8 tube, qty = 4 for S.N 167470 and below	1		
9	116009	HOSE - reel lift, from center cylinder	1		
10	43666	LINE - reel lift, from center cylinder	1		
11	30375	FITTING - 3/8 tube union	3		
12	43661	LINE - reel lift	3		
13	32116	HOSE - reel lift, to cylinder lower port	2		
14	129525	CYLINDER - double acting, R/H reel lift, see note 3	1		
	21494	SEAL KIT - for older cylinder, see note 2	1	-138024	
	118157	SEAL KIT – for newer cylinder, see note 2	1	138025-	
	43802	PISTON – for R/H reel lift cylinder, (also order proper seal kit)	1		
15	37345	CLEVIS - L/H and R/H cylinder adjusting	2	-115999	
	103330	CLEVIS - L/H and R/H cylinder adjusting, with bolt	2	116000-	
16	36849	HOSE - reel lift, from R/H cylinder upper port	1		
17	37167	HOLDER - hose, plastic	2		
18	32225	HOLDER - hose, steel	3		
19	43665	LINE - reel lift, connector	1		
20	29168	CYLINDER - single acting, L/H reel lift	1		
	21495	SEAL KIT - for cylinder 29168	1		
21	18738	PIN - clevis, 5/8 x 2-1/2 inch effective length	2		
22	8640	SPACER - cylinder rod	4		
23	21855	FITTING - male quick coupler, 1/2 NPT, 962 all and 963 windrower header	1		
24	21856	CAP - dust, for male coupler, 962 all and 963 windrower header	1		
25	102653	WASHER – formed, 962 all and 963 windrower header	2		
26	49109	HOLDER - hose couplers, 962 all and 963 windrower header	1		
27	116007	HOSE - reel drive	2		
28	43011	MOTOR - reel drive, with key	1		
	2149	KEY - Woodruff, SAE #15, for motor 43011	1		
	123314	SEAL KIT - for motor 43011 (was 101670)	1		
29	21857	FITTING - female quick coupler, 1/2 NPT, 962 all and 963 windrower header	1		
	50082	O-RING - for coupler 21857	1		
30	21858	PLUG - dust, for female coupler, 962 all and 963 windrower header	1		
31	103820	HOSE - reel drive at motor	2	116000-	
32	16568	RESTRICTOR - flow (to slow reel lift & drop rate, install in bottom port of item 4)	1		
33	30553	FITTING - 90° elbow, 5/8 tube x 1/2 NPT, 962 all and 963 windrower header	2		
34	50022	CLIP - hose	2		
35	116010	CONDUIT – hose protector	1		
36	118131	SPACER – cylinder mount	1	138025-	
37	49232	TIE – plastic, white	1		
38	40701	TIE – plastic, yellow	1		
39	21763	TIE – plastic, black	1		
40	30283	FITTING – 90° elbow, 3/4 O-ring x 3/8 tube	3		
	44209	O-RING – for 3/4 fitting	3		
G	18601	WASHER - flat, 13/16 inch I.D.	P	18666	NUT - lock, 5/8 NC distorted thread
H	18648	PIN - cotter, 3/16 x 1-1/4 inch	R	50197	BOLT - rnd hd, sq. nk, 3/8 NC x 1-3/4 inch
J	101898	SCREW – flng hd, self tapping, 3/8 x 5/8"	S	21470	BOLT - round head, sq neck, 3/8 NC x 2"
K	18592	NUT - hex, 5/8 NC	T	30228	NUT - lock, sm flange, 3/8 NC, D.T.
L	21345	NUT - hex jam, 5/8 NC	V	21863	BOLT - round head, sq. nk, 3/8 NC x 3/4"
M	30829	BOLT - round head, sq. nk, 5/8 NC x 3-1/2"	f	REF	Indicates where hardware passes through frame member.
N	18600	WASHER - flat, 21/32 inch I.D.			

- NOTES:**
1. If replacing cylinder 32415 (with 5/8" hole in cylinder rod) with cylinder with 3/4" hole in cylinder rod also order spacer item 36.
 2. When ordering cylinder seal kits, determine which kit you need as follows: Newer cylinders (item 4 and item 14) are identified by an ID sticker marked with their part no. If your cylinder has this ID sticker, order seal kit 113835 (item 4) or 118157 (item 14). If there is no ID sticker, order seal kit 32416 (item 4) or 21494 (item 14).
 3. For units with S.N. 167470 and below, when replacing reel lift cylinders (items 4 or 14), also order 3/4 O-ring fittings kit 129530.

DRIVE SHAFT ASSEMBLY

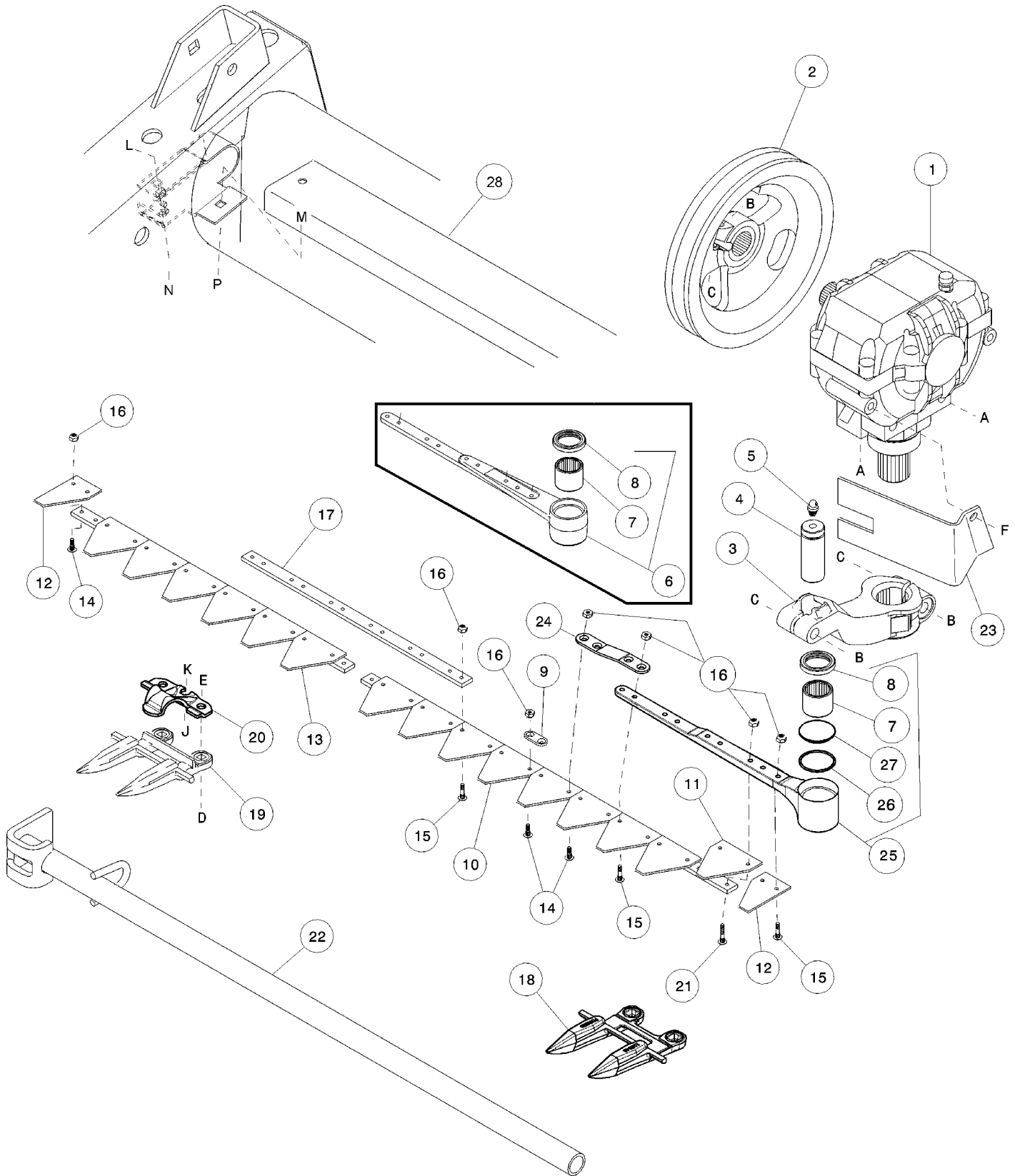


DRIVE SHAFT ASSEMBLY

REF	PART NUMBER	DESCRIPTION	QTY	SERIAL NUMBER
	NOTE:	Assembly shown is for 871/872/873 Combine Adapter or 801 Bi-Directional Adapter. Assembly of parts is different when used with windrower tractor or 802 Bi-Directional Adapter. See 962 Operator's Manual 46446 or 963 Operator's Manual 147277.		
1	100554	SHAFT - sickle drive, 30' header	1	
	100556	SHAFT - sickle drive, 36' header	1	
2	100558	TUBE - shaft guard, 30' header	1	-115999
	103607	TUBE - shaft guard, 30' header	1	116000-124499
	116040	TUBE - shaft guard, 30' 962 header	1	124500-
	119047	TUBE - shaft guard, 30' 963 header	1	
	100561	TUBE - shaft guard, 36' header	1	-115999
	103605	TUBE - shaft guard, 36' header	1	116000-124499
	116039	TUBE - shaft guard, 36' 962 header	1	124500-
	119049	TUBE - shaft guard, 36' 963 header	1	
3	30602	FLANGE - bearing (qty. 3 for S.N. 109920-124499).....	2	
4	30603	FLANGE - bearing, with lube fitting (qty. 1 for S.N. 109920-124499).....	2	
5	21936	BEARING - ball, with lock collar (qty. 3 for 36' header).....	2	
6	100039	PULLEY - sickle drive	1	
7	21934	BUSHING - split taper	1	
8	21862	PULLEY - back side idler.....	1	
9	100730	BRACKET - idler adjusting	1	
10	100737	ROD - threaded, with welded bolt.....	1	
11	114006	BELT - sickle drive (was 100232), windrower plus following combines:	1	
		John Deere, Case, Agco, New Holland		
	108222	BELT - sickle drive, Lexion Combine only (was 108152).....	1	
12	100655	PLATE - cover	1	
13	101794	SHIELD - rubber	1	-115999
	103554	SHIELD - rubber - 962 Only	1	116000-
14	11142	KEY - Woodruff, SAE #C	2	
15	38894	LATCH - rubber - 962 Only	1	
16	43965	GUIDE - belt	1	
	NOTE: Item 17 is used with 801 and 871/872/873 Adapters only			
17	100050	PULLEY - 13" O.D. - John Deere, Case and New Holland CR/CX Combines, 801 Adapter.....	1	
	100042	PULLEY - 11-1/2" O.D. - Agco & New Holland TR/TX Combines.	1	
	102836	PULLEY - 9-1/2" O.D. - Lexion Combine	1	
18	25059	SEAL - sponge - 963 Only	2	
19	113804	CHAIN - shield - 963 Only.....	1	
20	113797	SHIELD - plastic - 963 Only	1	
A	18599	WASHER - flat, 17/32 inch I.D.		
B	50186	NUT - lock, smooth flange, 1/2 NC distorted thread		
C	21868	BOLT - round head, short square neck, 1/2 NC x 1 inch		
D	18591	NUT - hex, 1/2 NC		
E	21863	BOLT - round head, short square neck, 3/8 NC x 3/4 inch		
F	30228	NUT - lock, smooth flange, 3/8 NC distorted thread		
G	21561	BOLT - hex head, 3/8 NC x 1-1/2 inch		
H	19965	BOLT - round head, square neck, 3/8 NC x 1 inch		
J	21821	BOLT - flange head, 3/8 NC x 3/4 inch		
K	20077	BOLT - hex head, 3/8 NC x 1 inch		
L	18637	WASHER - lock, 3/8 inch		
M	21941	NUT - hex jam, 5/8 NC		
N	21566	BOLT - hex head, 1/4 NC x 3/4 inch		
P	18724	NUT - lock, 1/4 NC, distorted thread		
Q	30693	BOLT - flange head, 3/8 NC x 5/8 inch		
R	21572	BOLT - hex head, 1/4 NC x 5/8 inch		

SICKLE AND DRIVE

NOTE: Newer sickle head 113232 and seal 113222 may be used to replace 103705 head and 37930 seal, respectively. When making either of these substitutions, also order sickle head pin 113229 (item 4) to prevent seal damage on installation.



SICKLE AND DRIVE

REF	PART NUMBER	DESCRIPTION	QTY	SERIAL NUMBER
			30' / 36'	
1	100532	DRIVE - sickle, see page 16 for components	1	
2	47832	PULLEY - driven	1	
3	113698	ARM - output (was 100421)	1	
4	100502	PIN - sickle head	1	-124499
	113229	PIN - sickle head	1	124500-
5	21194	FITTING - lubrication, 90°	1	
6	100501	HEAD ASSEMBLY - sickle, includes items 7 and 8	1	-115999
	103705	HEAD ASSEMBLY - sickle, includes items 7 and 8 (see note, page 14)	1	116000-124490
	113232	HEAD ASSEMBLY - sickle, includes items 7 and 8	1	124500-138024
7	100500	BEARING - needle	1	
8	37930	SEAL - sickle head (install with lip facing outward) (see note, page 14)	1	-124499
	113222	SEAL - sickle head (install with lip facing outward)	1	124500-
9	102876	BAR - reinforcing	A/R	
10	129361	FINE SICKLE ASSEMBLY - less head, left hand, includes item 9	1	
	129433	COARSE SICKLE ASSEMBLY - less head, left hand, includes item 9	1	
11	34390	FINE SECTION - sickle, top-serrated - 14 serr. per inch (Kondex)	A/R	
	118475	FINE SECTION - sickle, top-serrated - 14 serr. per inch (Busatis)	OPT	
	158516	COARSE SECTION - sickle, top-serrated - 9 serrations per inch	A/R	
12	34391	SECTION - sickle, half	2	
13	43077	FINE SICKLE ASSEMBLY - right, 30' (9 ft. extension)	1	
	158680	COARSE SICKLE ASSEMBLY - right, 30' (9 ft. extension)	1	
	43078	FINE SICKLE ASSEMBLY - right, 36' (15 ft. extension)	1	
	158681	COARSE SICKLE ASSEMBLY - right, 36' (15 ft. extension)	1	
14	30696	SCREW - rib neck, #12 NC x 5/8 inch - for sections to sickle back	A/R	
15	49671	SCREW - rib neck, #12 NC x 0.92 inch	14	
16	30669	NUT - lock, #12 NC distorted thread	A/R	
17	33955	BAR - splice	1	
18	118345	SPECIAL SICKLE GUARD - first four at left end (was 28014)	4	
19	23064	SICKLE GUARD - except four at left end	56 / 68	
	118344	SICKLE GUARD - double heat treated	OPT	
20	118162	GUIDE - sickle, hold-down, except four at splice bar (was 49420)	28 / 34	
	50228	GUIDE - high clearance hold down, at splice bar (may sub 49420)	4	-124499
21	30852	SCREW - rib neck, #12 NC x 1-1/8 inch	7	
22	52031	TOOL - guard straightener (accessory)	1	
23	114109	SHIELD - drive arm	1	
24	129329	BAR - reinforcing (was 113941)	1	
25	115321	HEAD ASSEMBLY - sickle, includes items 7, 8, 26 & 27	1	138025-
26	115670	O-RING - sickle head	1	138025-
27	113937	PLUG - sickle head	1	138025-
28	113586	TUBE - spare sickle storage, 30' headers	1	
	113587	TUBE - spare sickle storage, 36' headers	1	
A	100233	BOLT - hex head, 5/8 NC x 1-1/2 inch	K	118154 BOLT - hx hd, 3/8 NC x 5/8", Gr. 8
B	21583	BOLT - hex head, 5/8 NC x 3 inch	L	21478 BOLT - rnd hd, sq nk, 3/8 NC x 2-1/2"
C	18666	NUT - lock, 5/8 NC distorted thread	M	21863 BOLT - rnd hd, sq nk, 3/8 NC x 3/4"
D	8218	BOLT - rnd hd, sq nk, 7/16 NC x 1-1/2"	N	30228 NUT - lock, smth flg, 3/8 NC, dist thd.
E	18654	NUT - hex, 7/16 NC	P	21452 NUT - flange, serrated face, 3/8 NC
F	21975	BOLT - flange head, 3/8 NC x 1 inch		
J	118193	NUT - hex hd, flg, 3/8 NC, stnless		

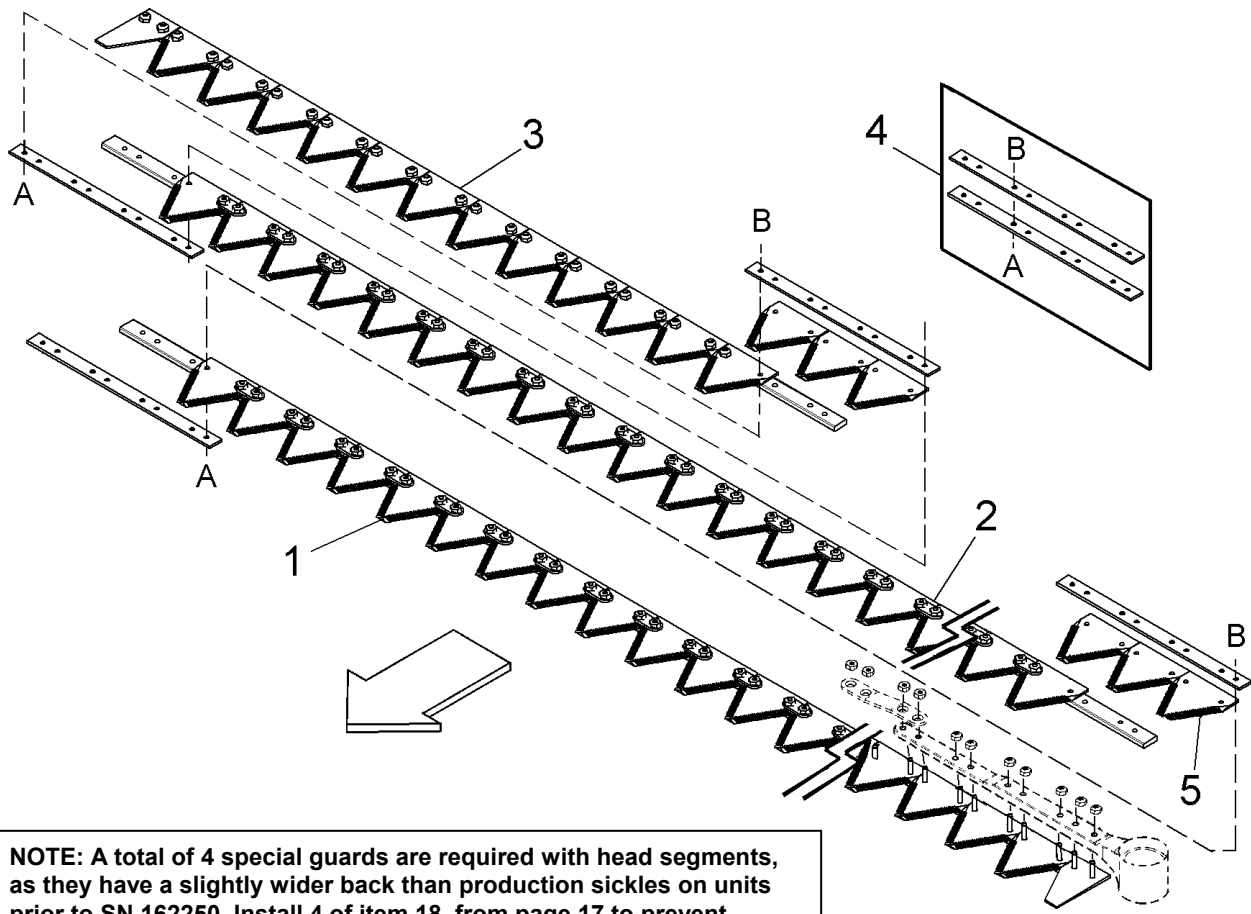
NOTE: For a complete **fine** serrated sickle, order:

Item 10	129361	L/H Assembly	Qty. 1
Item 11	34390	Section, sickle	Qty. 3
Item 12	34391	Section, half	Qty. 1
Item 13	43077	R/H Assembly - 30'	Qty. 1
	43078	R/H Assembly - 36'	Qty. 1
Item 15	49671	Screw, #12 x 0.92 in.	Qty. 8
Item 16	30669	Nut, lock	Qty. 8
Item 17	33955	Bar, splice	Qty. 1
Item 24	129329	Bar, reinforcing	Qty. 1

NOTE: For a complete **coarse** serrated sickle, order:

Item 10	129433	L/H Assembly	Qty. 1
Item 11	158516	Section, sickle	Qty. 3
Item 12	34391	Section, half	Qty. 1
Item 13	158680	R/H Assembly - 30'	Qty. 1
	158681	R/H Assembly - 36'	Qty. 1
Item 15	49671	Screw, #12 x 0.92 in.	Qty. 8
Item 16	30669	Nut, lock	Qty. 8
Item 17	33955	Bar, splice	Qty. 1
Item 24	129329	Bar, reinforcing	Qty. 1

SEGMENTED SICKLE



NOTE: A total of 4 special guards are required with head segments, as they have a slightly wider back than production sickles on units prior to SN 162250. Install 4 of item 18, from page 17 to prevent premature sickle failure.

SEGMENTED SICKLE

FINE SICKLES – COMPLETE

NOTE: For a complete single sickle, you will need:

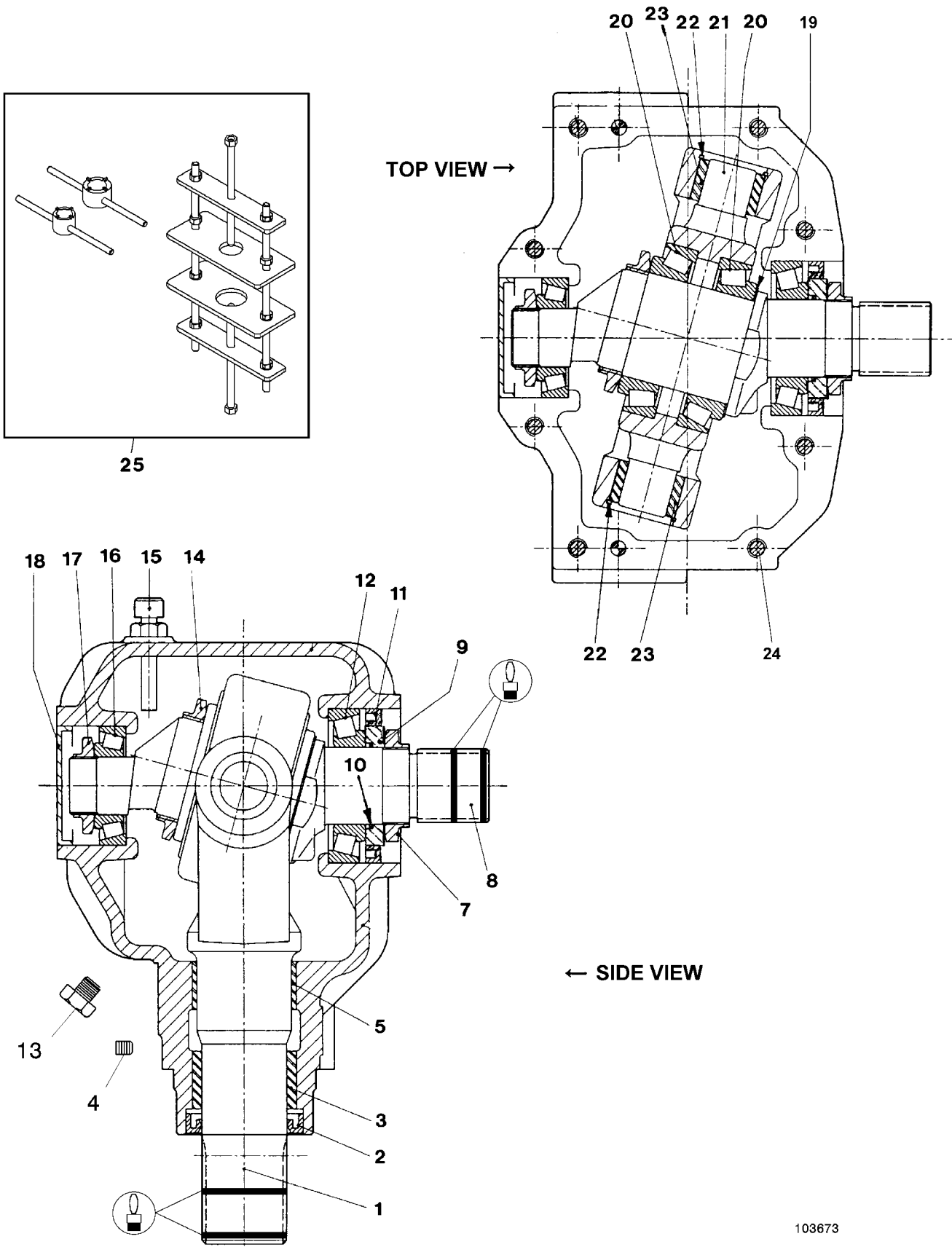
30'	Item 1	129000	Left, head seg.	Qty. 1
	Item 2	129002	Center segment	Qty. 2
	Item 3	129006	Right, tail seg.	Qty. 1
	Item 4	129043	MacDon Splice Kit	Qty. 3
	Item 5	34390	Section	Qty. 9
36'	Item 1	129000	Left, head seg.	Qty. 1
	Item 2	129002	Center segment	Qty. 3
	Item 3	129010	Right, tail seg.	Qty. 1
	Item 4	129043	MacDon Splice Kit	Qty. 4
	Item 5	34390	Section	Qty. 12
A 129299 SCREW - 90° csk skt hd, #12-24 NC x 0.812"				
B 30669 NUT –csk, center lock, #12-24 NC				

COARSE SICKLES – COMPLETE

NOTE: For a complete single sickle, you will need:

30'	Item 1	129024	Left, head seg.	Qty. 1
	Item 2	129026	Center segment	Qty. 2
	Item 3	129029	Right, tail seg.	Qty. 1
	Item 4	129043	MacDon Splice Kit	Qty. 3
	Item 5	158516	Section	Qty. 9
36'	Item 1	129024	Left, head seg.	Qty. 1
	Item 2	129026	Center segment	Qty. 3
	Item 3	129030	Right, tail seg.	Qty. 1
	Item 4	129043	MacDon Splice Kit	Qty. 4
	Item 5	158516	Section	Qty. 12
A 129299 SCREW - 90° csk skt hd, #12-24 NC x 0.812"				
B 30669 NUT –csk, center lock, #12-24 NC				

SICKLE DRIVE BOX



103673

SICKLE DRIVE BOX

REF	PART NUMBER	DESCRIPTION	QTY	SERIAL NUMBER
	100532	DRIVE - sickle, complete	1	
1	100706	YOKE - output	1	
2	100707	SEAL - oil, output shaft	1	
3	100708	BUSHING - bronze	1	
4	103565	PLUG - hex socket	2	
5	100726	BUSHING - steel	1	
7	100709	NUT - special	1	
8	100710	SHAFT - input	1	
9	102629	SPACER - 60 mm O.D., see NOTE 1	1	
10	100712	O-RING	1	
11	102630	SEAL - oil, input shaft, 60 mm I.D., see NOTE 1	1	
12	100714	BEARING ASSEMBLY - cup & cone	1	
13	103096	PLUG - oil drain	2	
14	100715	NUT - lock, M55 x 2	1	
15	100716	BREATHER PLUG - with dipstick	1	
16	100717	BEARING ASSEMBLY - cup & cone	1	
17	100718	NUT - lock, M30 x 1.5	1	
18	100719	CAP - dust	1	
19	113152	SHIM - input shaft	1	
20	100720	BEARING ASSEMBLY - cup & cone	2	
21	100721	PIVOT	1	
22	100722	RING - retaining, internal	2	
23	100723	BUSHING - bronze	2	
24	113153	BOLT - socket head, M10 x 50 mm	8	
25	139003	TOOL KIT - sickle drive box disassembly/assembly	A/R	

(Refer to Tech Manual for instructions on use.)



REF Apply Loctite 243 adhesive or equivalent to splines before assembly

NOTES: 1. If part being replaced is 50 mm (O.D. of spacer, item 9) (I.D. of seal, item 11), order both items 9 and 11.

DRAPERS & CARRIER DECKS

REF	PART NUMBER	DESCRIPTION	QTY	SERIAL NUMBER
1	49486	CARRIER DECK - left, 30' Header	1	-109919
	101674	CARRIER DECK - left, 30' Header	1	109920-
	49488	CARRIER DECK - left, 36' Header	1	-109919
	101336	CARRIER DECK - left, 36' Header	1	109920-
	49487	CARRIER DECK - right, 30' Header	1	-109919
	49489	CARRIER DECK - right, 36' Header	1	-109919
6	43581	PLATE - top guide	8	-109919
	101718	PLATE - top guide	2	109920-15999
	103495	PLATE - top guide	2	116000-
8	101777	DRAPER SEAL - front, removable - center section - 30' & 36' headers.....	1	
	101778	DRAPER SEAL - front, removable - end section - 30' header.....	2	
	101779	DRAPER SEAL - front, removable - end section - 36' header	2	
9	49075	RETAINER - front draper seal	see note (1)	
21	129857	PANEL – backsheet extension, L/H, for 873 Combine Adapter (was 119024).	1	
22	129858	PANEL – backsheet extension, R/H, for 873 Combine Adapter (was 119025)	1	
25	100265	DRAPER - left side, 30 ft. header.....	1	
	100266	DRAPER - right side, 30 ft. header.....	1	
	100267	DRAPER - left side, 36 ft. header.....	1	
	100268	DRAPER - right side, 36 ft. header.....	1	
	49169	DRAPER - side draper extension piece, 15 in. (380 mm) long	A/R	
	113938	DRAPER – 75' bulk roll, economy material, (see note 2).....	A/R	
	113939	DRAPER – 150' bulk roll, deluxe material, (see note 2).....	A/R	
26	43469	SLAT - connector kit, includes 2 slats and hardware	A/R	
	103542	PACKAGE - draper hardware, includes 12 each of screw and nut		
27	101371	GUIDE - top	2	109920-15999
	103495	PLATE - top guide	2	116000-
28	101786	PANEL - extension, left - for 871 Combine Adapter	1	109920-138024
29	101787	PANEL - extension, right - for 871 Combine Adapter	1	109920-130024
30	121008	PANEL – extension, left – for 872 Combine Adapter	1	138025-
31	121009	PANEL – extension, right – for 872 Combine Adapter	1	138025-
A	21863	BOLT – round head, short square neck, 3/8 NC x 3/4 inch		
R	19965	BOLT - round head, short square neck, 3/8 NC x 1 inch		
S	21567	BOLT - hex head, 3/8 NC x 3/4 inch		
T	30228	NUT - lock, smooth flange, 3/8 NC distorted thread		

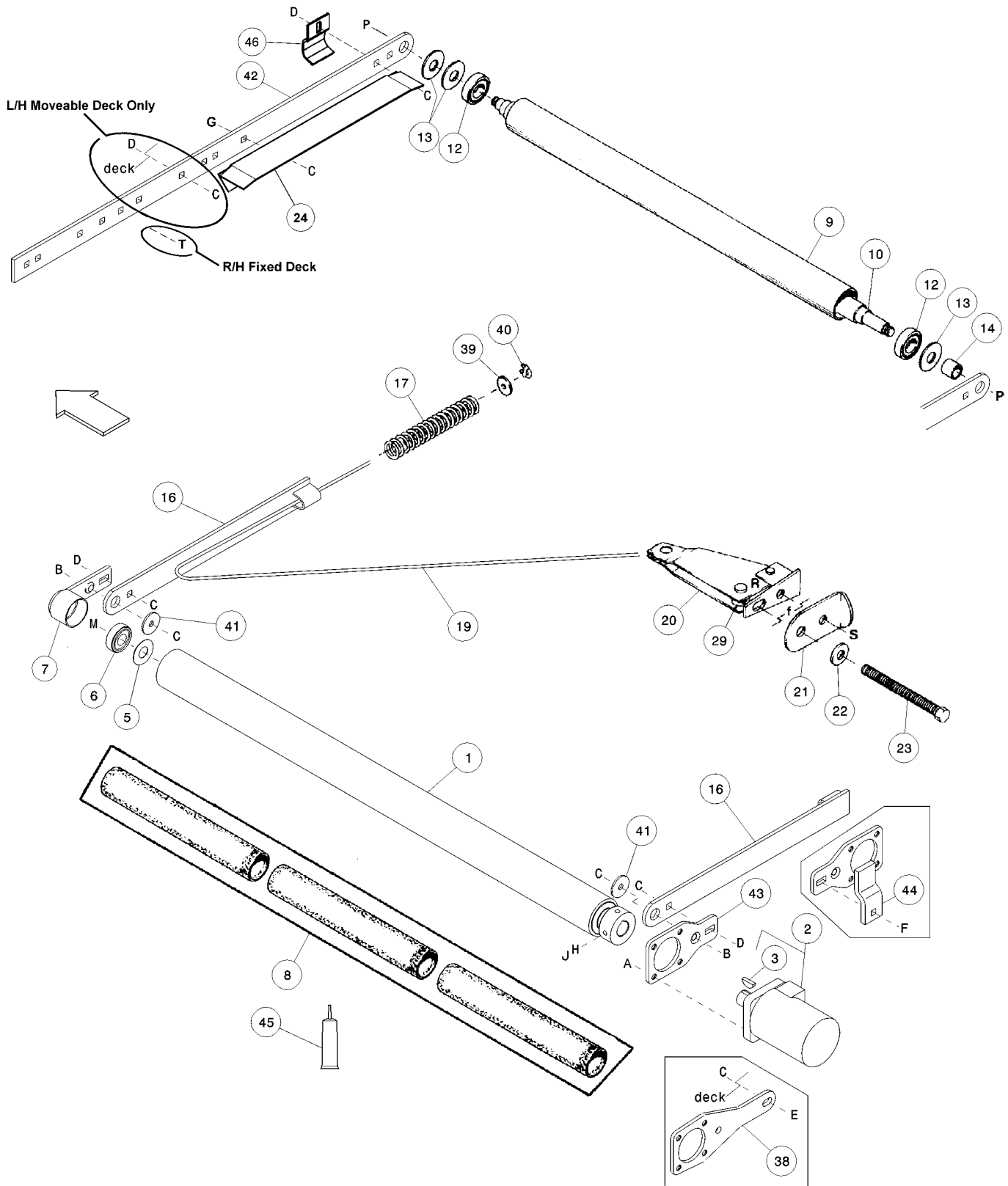
NOTE:

(1)- Quantities for item 9: 30 ft. = 18, 36 ft. = 22

(2)- Economy draper bulk rolls are a lower priced option to the deluxe drapers supplied with a new header.

Economy draper material is friction coated with rubber on both sides. Deluxe draper bulk rolls are the same material as supplied with a new header. This material is skim coated with 0.015" thick rubber on cleat side and friction coated with rubber on side opposite cleats. All bulk draper rolls come with no holes and no connector bars.

DRAPER ROLLERS & TIGHTENER GROUP



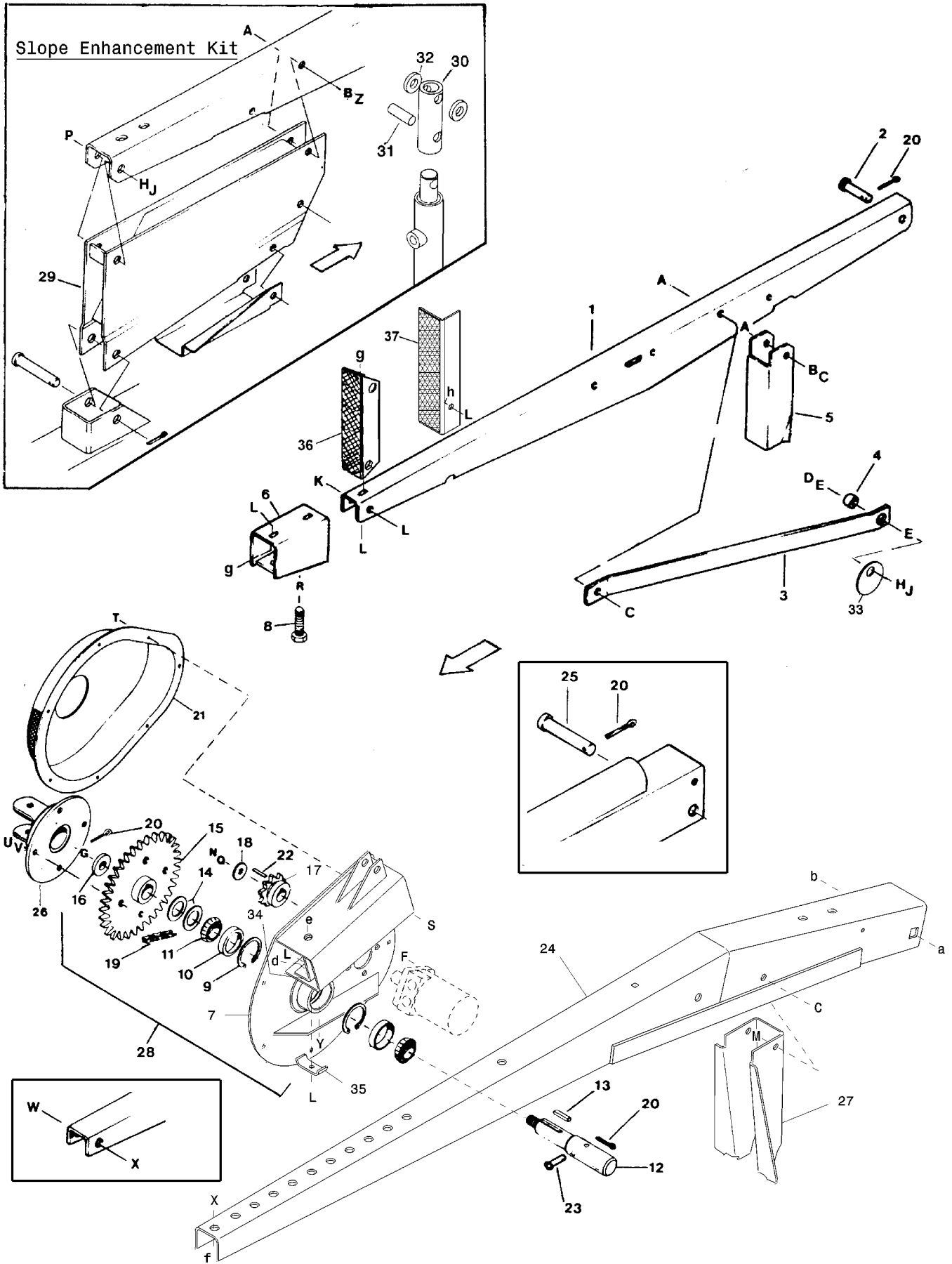
DRAPER ROLLERS & TIGHTENER GROUP

REF	PART NUMBER	DESCRIPTION	QTY	SERIAL NUMBER
1	43513	ROLLER - drive	2	-109919
	101255	ROLLER - drive	2	109920-138024
	113962	ROLLER - drive, vulcanized rubber coated	2	138025-
2	100108	MOTOR - draper drive, with key (item 3) - Danfoss	2	-109919
	100102	SEAL KIT - for Danfoss motor		
	49526	MOTOR - draper drive, with key (item 3) - Eaton	2	109920-124499
	101669	MOTOR - draper drive, with key (item 3) - Eaton	2	124500-168559
	114339	MOTOR - draper drive, with key (item 3) Eaton (case drain)	2	168560-
	123314	SEAL KIT - for Eaton motor (was 101670)		
3	2149	KEY - Woodruff, SAE 15	2	
5	40008	WASHER - flat	2	
6	30550	BEARING - ball, drive roller	2	
7	43517	SUPPORT - drive roller	2	-109919
	101648	SUPPORT - drive roller	2	109920-
8	43779	LAGGING KIT - includes 3 pieces, one kit per roller	A/R	
9	43320	TUBE - idler roller	2	
10	49056	SHAFT - idler roller	2	
12	21062	BEARING - ball, idler roller	4	
13	43523	WASHER - flat	6	
14	37912	SPACER - idler roller	2	
16	43530	SUPPORT - roller	4	-109919
	101644	SUPPORT - roller, outboard end	4	109920-
17	43521	SPRING - compression	4	
19	100322	CABLE - tightener, 30 ft. header	2	-109919
	100323	CABLE - tightener, 36 ft. header	2	-109919
	101696	CABLE - tightener, 30 & 36 ft. headers	2	109920-
20	43542	ARM - draper tightener, includes item 29	2	
21	43556	ANCHOR - draper tightener	2	
22	22072	WASHER - flat	2	
23	43558	BOLT - draper tightener	2	
24	114234	SUPPORT - draper, use for delivery opening 41.7" (1060 mm) and smaller	2	
38	100262	SUPPORT - motor	2	-109919
39	43219	WASHER - flat	4	
40	49209	CLAMP - cable	4	
41	16652	WASHER - flat	4	
42	101332	SUPPORT - roller, inboard end	4	109920-
43	101667	SUPPORT - motor	2	109920-
44	103188	SUPPORT - motor, used at R/H end with motors outboard only	1	
45	113429	ADHESIVE - for lagging, 148 ml (5 fl. oz.)	A/R	
46	129574	SUPPORT - for combine adapter narrow deck	2	
A	113420	SCREW - machine, countersunk Torx head, 3/8 NC x 3/4 inch		
B	20077	BOLT - hex head, 3/8 NC x 1 inch		
C	30228	NUT - lock, smooth flange, 3/8 NC distorted thread		
D	19965	BOLT - round head, square neck, 3/8 NC x 1 inch		
E	27647	BOLT - special, hex head shoulder, 3/8 NC		
F	21484	BOLT - round head, square neck, 3/8 NC x 1-1/2 inch		
G	21863	BOLT - round head, square neck, 3/8 NC x 3/4 inch		
H	30940	SETSCREW - socket head, cup point, 3/8 NC x 5/16 inch		
J	30941	SETSCREW - hex socket through bore, 3/8 NC x 3/16 inch		
M	21447	BOLT - large flange head, 3/8 NC x 1 inch		
P	21941	NUT - hex jam, 5/8 NC		
R	21594	BOLT - hex head, 5/8 NC x 1 1/2 inch		
S	18666	NUT - lock, 5/8 NC distorted thread		
T	30693	BOLT - flange head, 3/8 NC x 1/2 inch - R/H fixed deck only.		
f	REF	Indicates where hardware passes through frame member.		

REEL DRIVE & SUPPORT ARMS

REF	PART NUMBER	DESCRIPTION	QTY	SERIAL NUMBER
1	37948	ARM - reel support.....	2	
2	19958	PIN - clevis, 5/8 dia. x 3-1/4"	2	
3	26446	BRACE - diagonal	2	
4	8640	SPACER - tube.....	2	
5	37336	SUPPORT - reel prop, left.....	1	
	103497	SUPPORT - reel prop, right.....	1	
6	37919	SUPPORT - reel (qty 2 on 36 ft.).....	1	
7	37869	SUPPORT - reel drive (incl. items 9 & 10), 30 ft. (36' see S.N. break).....	1	36' -115999
	103819	SUPPORT - reel drive (includes items 9 & 10), 36 ft. (shown).....	1	36' 116000-
8	37866	SCREW - reel position (3 on 36' with Ser. No. 115999 and below).....	2	
9	21545	RING - retaining, internal.....	2	
10	7900	BEARING - cup	2	
11	7910	BEARING - cone	2	
12	121029	SHAFT - reel drive (was 33532)	1	
13	103366	KEY - reel drive shaft.....	1	
14	19681	WASHER - flat.....	2	
15	26848	SPROCKET - driven, 30 ft.	1	
	33003	SPROCKET - driven, 36 ft.	1	
16	16235	WASHER - flat.....	1	
17	26847	SPROCKET - drive, hydraulic motor	1	
18	43219	WASHER - flat.....	1	
19	20117	CHAIN - roller, #60 x 40 links	1	
20	18648	PIN - cotter, 3/16 x 1-1/4 inch	5	
21	47167	SHIELD - reel drive, 30 ft.....	1	
	33010	SHIELD - reel drive, 36 ft.....	1	
22	43464	SHIM - reel drive sprocket (nominal quantity 4).....	A/R	
23	19809	PIN - clevis, 1/2 dia. x 2 inch	2	
24	37851	ARM - center reel support, 36 ft.....	1	-115999
	103712	ARM - center reel support, 36 ft.....	1	116000-
25	18629	PIN - clevis, 3/4 dia. x 3-3/4 inch, 36' center arm	1	-115999
26	33265	HUB - with clevis, 36 ft. (1/2" holes in clevis)	1	-109919
	49629	HUB - with clevis, 36 ft. (3/4" holes in clevis)	1	109920-
27	37885	SUPPORT - reel prop, 36' center	1	-115999
	114262	SUPPORT - reel prop, 36' center	1	116000-
28	47154	REEL DRIVE ASSEMBLY - with motor - 30'	1	
29	49087	SUPPORT - reel slope enhancement.....	1	
30	49080	EXTENSION - single acting cylinder	1	
	49081	EXTENSION - double acting cylinder.....	1	
31	43326	PIN - cylinder extension.....	2	
32	22070	WASHER - flat.....	4	
33	101292	RETAINER - reel brace	2	
34	103829	CHANNEL - inner, 36 ft. center arm	1	116000-
35	32225	HOLDER - hose, 36 ft.....	1	116000-
36	116059	SUPPORT - reel fore-aft cylinder, c/w reflector (was 26710).....	1 for 30', 2 for 36'	
37	121031	SUPPORT - transport light bracket, c/w reflector, 30' R/H only.....	1	
A	21581	BOLT - hex head, 1/2 NC x 3-1/2 inch		
B	18638	WASHER - lock, 1/2 inch		
C	18697	NUT - lock, 1/2 NC distorted thread		
D	21582	BOLT - hex head, 5/8 NC x 1-3/4 inch		
E	18600	WASHER - flat, 21/32 inch I.D.		
F	21821	BOLT - flange head, 3/8 NC x 3/4 inch		
G	5512	NUT - slotted, 3/4 NF		
H	18639	WASHER - lock, 5/8 inch		
J	18592	NUT - hex, 5/8 NC		

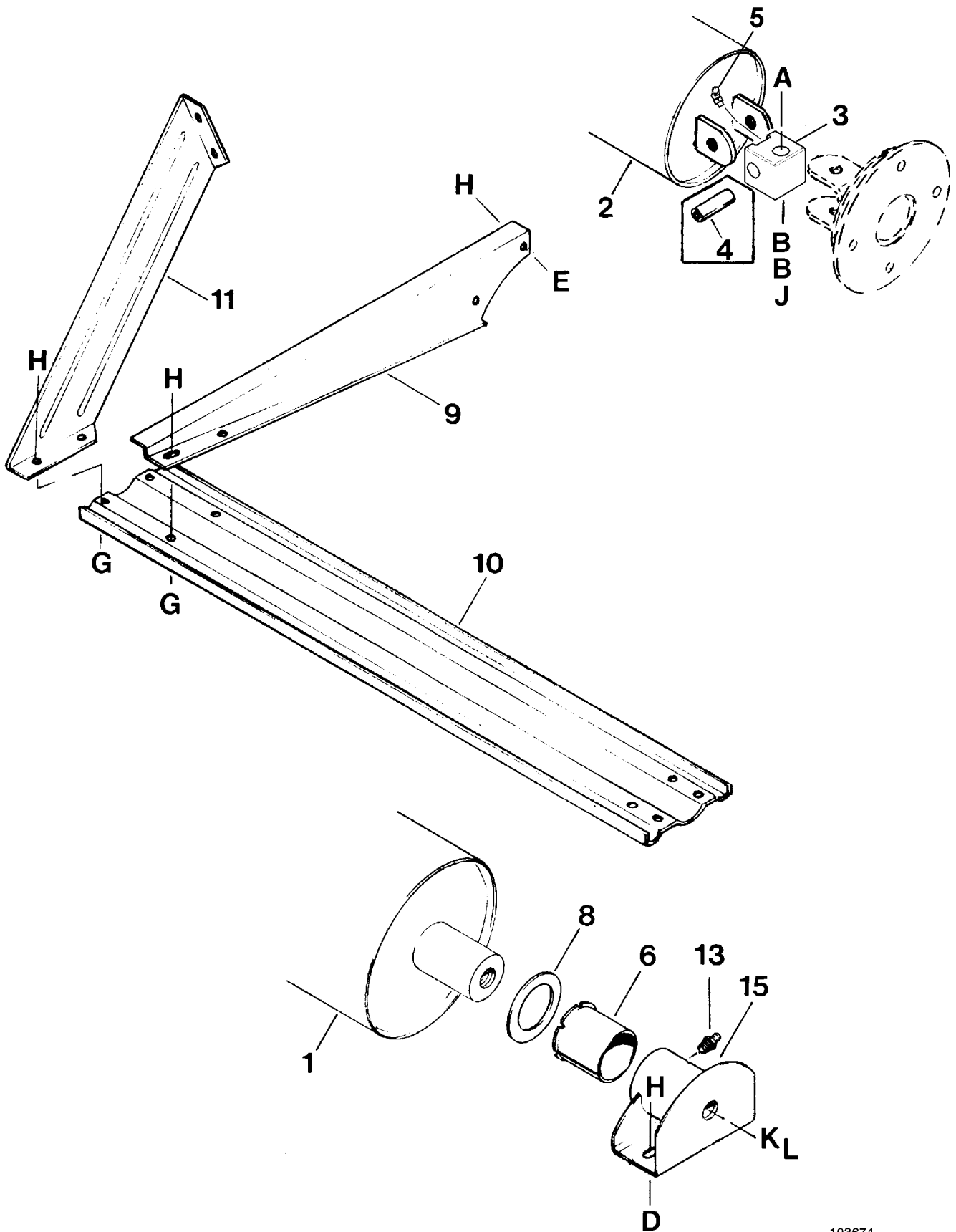
REEL DRIVE & SUPPORT ARMS



REEL DRIVE & SUPPORT ARMS

REF	PART NUMBER	DESCRIPTION	QTY	SERIAL NUMBER
K	21579	BOLT - hex head, 3/8 NC x 3-1/4 inch		
L	30228	NUT - lock, smooth flange 3/8 NC distorted thread		
M	21589	BOLT - hex head, 1/2 NC x 4 inch.....		-115999
	21575	BOLT - hex head, 1/2 NC x 1 inch.....		116000-
N	21566	BOLT - hex head, 1/4 NC x 3/4 inch		
P	21406	BOLT - hex head, 5/8 NC x 3-1/2 inch		
Q	18635	WASHER - lock, 1/4 inch		
R	21345	NUT - hex jam, 5/8 NC		
S	21476	BOLT - round head, square neck, 1/4 NC x 3/4 inch		
T	21455	NUT - serrated flange lock, 1/4 NC		
U	20077	BOLT - hex head, 3/8 NC x 1 inch		
V	18637	WASHER - lock, 3/8 inch		
W	21584	BOLT - hex head, 5/8 NC x 2-1/2 inch, 36' center arm.....		-115999
X	18666	NUT - lock, 5/8 NC distorted thread		
Y	21863	BOLT - round head, square neck, 3/8 NC x 3/4 inch		
Z	18591	NUT - hex, 1/2 NC		
a	103883	BOLT - round head, square neck, 3/4 NC x 5 inch		
b	18689	NUT - lock, 3/4 NC distorted thread		
d	20078	BOLT - round head, square neck, 3/8 NC x 1-3/4 inch		
e	21594	BOLT - hex head, 5/8 NC x 1-1/2 inch		
f	21585	BOLT - hex head, 5/8 NC x 1-1/4 inch		
g	19965	BOLT - round head, square neck, 3/8 NC x 1 inch		
h	21567	BOLT - hex head, 3/8 NC x 3/4 inch		

BAT REEL

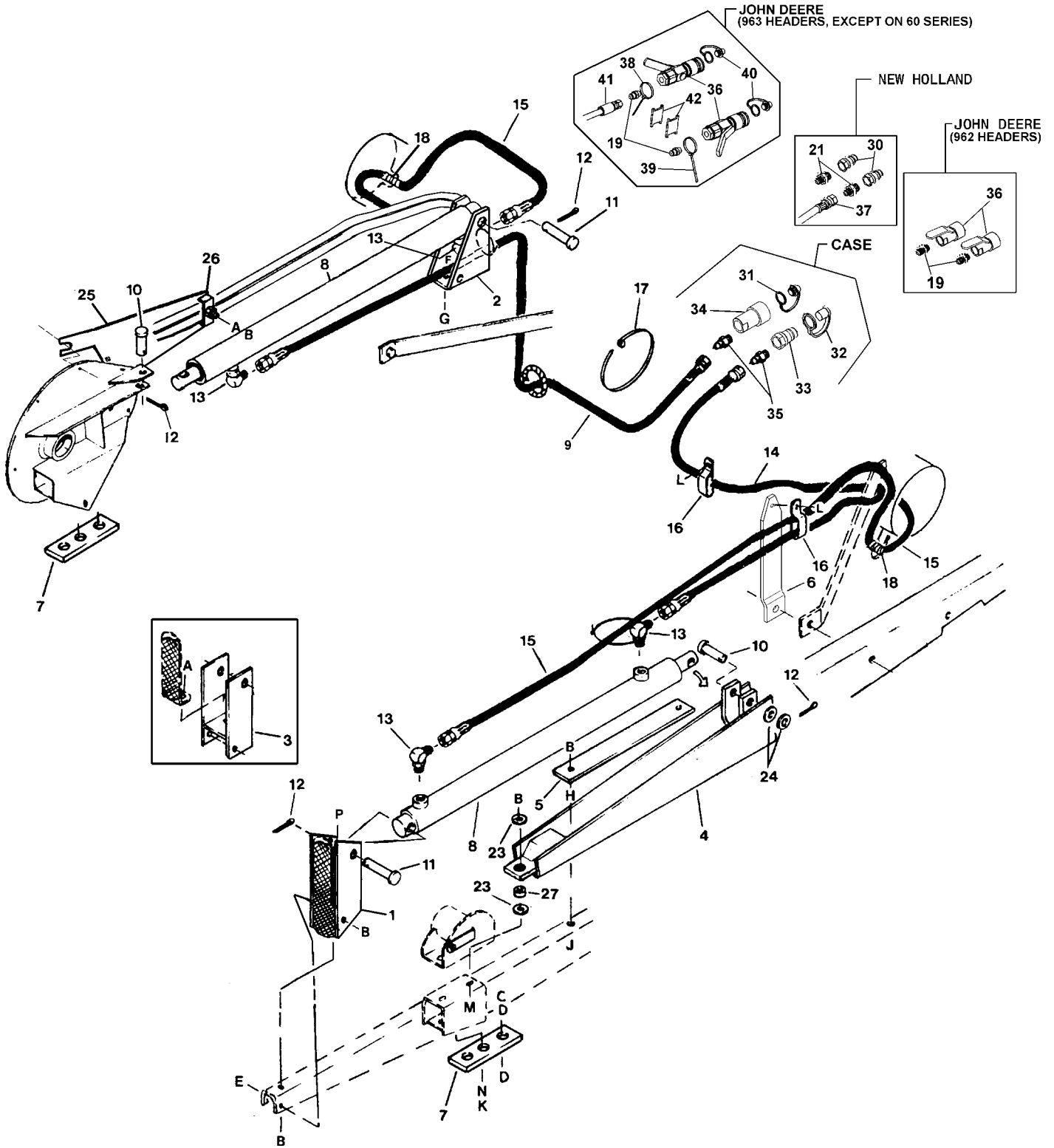


103674

BAT REEL

REF	PART NUMBER	DESCRIPTION	QTY	SERIAL NUMBER
1	49459	TUBE - reel, 30'	1	
	49470	TUBE - L/H reel, 36'.....	1	
2	49468	TUBE - R/H reel, 36' (1/2" holes in clevis).....	1	-109919
	49633	TUBE - R/H reel, 36' (3/4" holes in clevis).....	1	109920-
3	137035	BLOCK - connector, with lube fitting (item 5), 36' only (was 32200)	1	
4	32202	SPACER - 36' only, used with 1/2" hardware	2	-109919
5	21301	FITTING - lube, 45°	1	
6	35694	BUSHING - reel support (qty. 2 for 36')	1	
8	27160	WASHER - flat (qty. 2 for 36').....	1	
9	43145	ARM - reel (qty. 50 for 36')	35	
10	43109	BAT - reel, 30'.....	5	
	43106	BAT - reel, 36'.....	10	
11	40110	SHIELD - reel end (qty. 20 for 36')	10	
13	18671	FITTING - lube.....	1	
	21010	FITTING - lube, 90°, 36' R/H only.....	1	
15	49476	SUPPORT - reel, includes lube fitting 18671 (qty. 2 for 36')	1	
A	21581	BOLT - hex head, 1/2 NC x 3-1/2 inch		-109919
	137036	BOLT - hex head, 3/4 NC x 4-1/4 inch		109920-
B	18601	WASHER - flat, 3/4 inch I.D.		
D	19965	BOLT - round head, square neck, 3/8 NC x 1 inch		
E	21484	BOLT - round head, square neck, 3/8 NC x 1-1/2 inch - 30'		
	21863	BOLT - round head, square neck, 3/8 NC x 3/4 inch - 36'		
G	30693	BOLT - flange head, 3/8 NC x 1/2 inch		
H	30228	NUT - lock, smooth flange, 3/8 NC distorted thread		
J	18697	NUT - lock, 1/2 NC distorted thread.....		-109919
	18689	NUT - lock, 3/4 NC distorted thread.....		109920-
K	18600	WASHER - flat, 21/32 inch I.D.		
L	21587	BOLT - hex head, 5/8 NC x 2 inch		

30' HEADER HYDRAULIC REEL FORE-AFT KIT



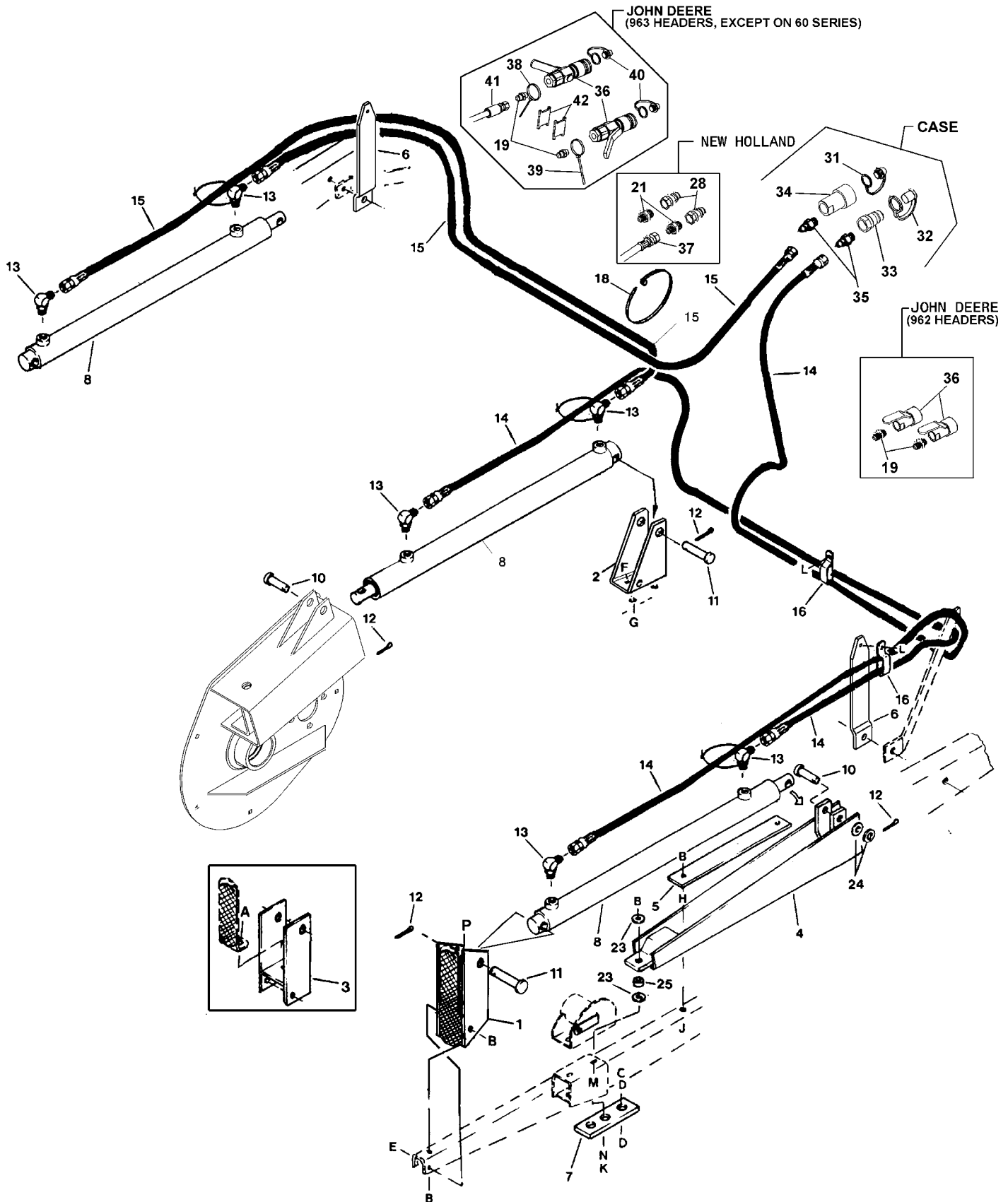
30' HEADER HYDRAULIC REEL FORE-AFT KIT

REF	PART NUMBER	DESCRIPTION	QTY	SERIAL NUMBER	
•	B 2823	HYDRAULIC FORE-AFT KIT, complete - for 30' header (Kit available through WholeGoods only.)			
1	REF	SUPPORT – cylinder, c/w reflector – see Reel Drive & Support Arms.....	1	131620-	
2	43870	SUPPORT - cylinder, right rear	1		
3	49008	SUPPORT - cylinder, left front.....	1		
4	49000	SUPPORT - cylinder, left rear.....	1		
5	43860	BAR - guide	1		
6	114110	SUPPORT – hose (was 49006).....	1		
7	43980	BAR - adapter	2		
8	121028	CYLINDER – hydraulic (was 49175), see note 2.....	2		
	43887	SEAL KIT - for cylinder 49175, see note 2			
	118157	SEAL KIT – for cylinder 121028, see note 2			
	43803	PISTON - for cylinder (also order proper Seal Kit per note 2)			
9	121032	HOSE – to right cylinder port (was 43892)	1		
10	18704	PIN - clevis, 5/8 dia. x 2.28 inch effective length	2		
11	18624	PIN - clevis, 5/8 dia. x 2.76 inch effective length	2		
12	18648	PIN - cotter, 3/16 dia. x 1-1/4 inch	4		
13	30282	FITTING - 90° elbow, 9/16 O-ring x 3/8 tube.....	4		
14	43895	HOSE - from left cylinder rear port	1		
15	43896	HOSE - right cylinder rear port to left cylinder front port	1		
16	43848	FASTENER - hose clamp	16		
17	30753	FASTENER - plastic tie	5		
18	37881	PROTECTOR - hose	2		
23	20535	WASHER – flat, see note 1 below	2		
24	18600	WASHER – flat	2		
25	49007	SUPPORT - reel drive hoses.....	1		
26	32225	HOLDER - hose.....	1		
27	19411	SPACER - bushing	1		
	B 2825	CASE COMPLETION KIT			
31	114229	PLUG – dust	1		
32	114230	CAP – dust.....	1		
33	114142	FITTING – male quick coupler, 7/8 O-ring.....	1		
34	114143	FITTING – female quick coupler, 7/8 O-ring.....	1		
	44210	O-RING – for 7/8 fittings			
35	114141	FITTING – male adapter, 3/8 tube x 7/8 O-ring.....	2		
	B 2826	JOHN DEERE COMPLETION KIT – FOR 962 HEADERS			
19	15903	FITTING - adapter, 3/8 tube x 9/16 O-ring.....	2		
36	114120	FITTING – female quick coupler, with shut off.....	2		
	B 2827	NEW HOLLAND COMPLETION KIT			
21	21806	FITTING - adapter, 3/8 tube x 1/2 NPT	2		
30	21855	FITTING – male quick coupler, 1/2 NPT	2		
37	103392	HOSE – hydraulic	1		
	B 4577	JOHN DEERE COMPLETION KIT – FOR 963 HEADERS (Except 60 Series Combines)			
19	15903	FITTING - adapter, 3/8 tube x 9/16 O-ring.....	2		
36	114120	FITTING - female quick coupler, with shut off	2		
38	40702	FASTENER – plastic tie.....	1		
39	49227	FASTENER – plastic tie.....	1		
40	21876	PLUG – dust, female	2		
41	113867	HOSE – hydraulic	1		
42	158253	SPACER – coupler mounting	2		
A	19966	BOLT - rnd hd, sq nk, 3/8 NC x 1-1/4 inch	H	18590	NUT - hex, 3/8 NC
B	30228	NUT - lock, smth flg, 3/8 NC dist. thd	J	21264	BOLT - hex head, 3/8 NC x 1-1/4 inch
C	21871	BOLT - hex hd, 5/8 NC x 2-1/2", full thd	K	21594	BOLT - hex head, 5/8 NC x 1-1/2 inch
D	18592	NUT - hex, 5/8 NC	L	50124	SCREW - self tapping, 5/16 NC x 1/2"
E	21579	BOLT - hex head, 3/8 NC x 3-1/4 inch	M	21484	BOLT - rnd hd, sq nk, 3/8 NC x 1-1/2 inch
F	21868	BOLT - rnd hd, sq nk, 1/2 NC x 1 inch	N	18639	WASHER - lock, 5/8 inch
G	21383	NUT - serrated flange lock, 1/2 NC	P	19965	BOLT – rnd hd, sq nk, 3/8 NC x 1 inch

NOTES:

- For washer, item 23: When installed on header with Pick-Up Reel, do not install lower washer.
- When ordering seal kit for cylinder (item 8), determine which kit you need as follows: Newer cylinder 121028 is identified by an ID sticker marked with its part no. If your cylinder has this ID sticker, order seal kit 118157 or replacement cylinder 121028. If there is no ID sticker, order seal kit 43887, or if replacing complete cylinder order two of 121028, one for each reel arm.

36' HEADER HYDRAULIC REEL FORE-AFT KIT



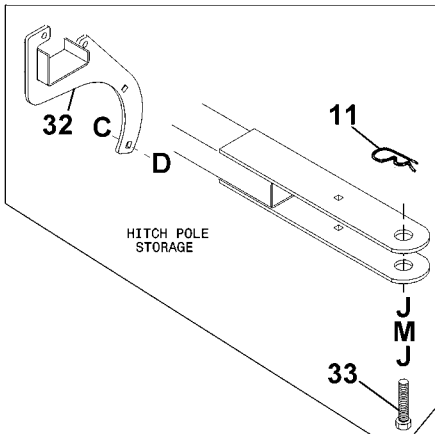
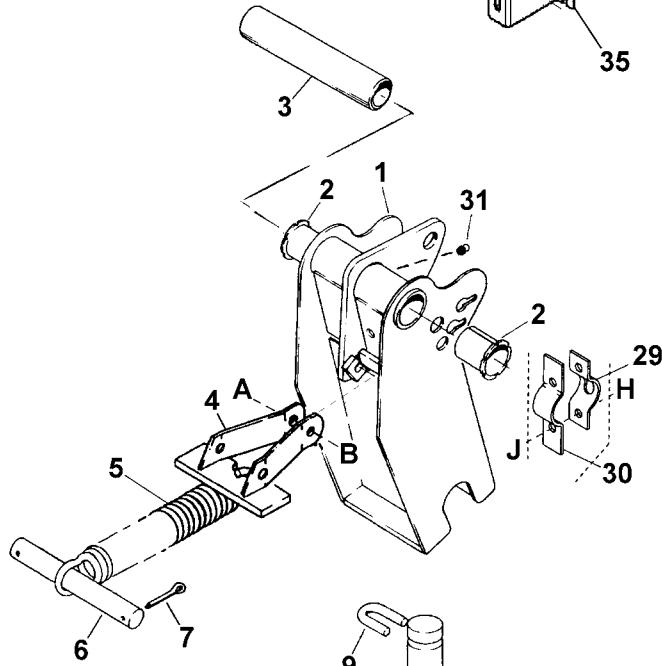
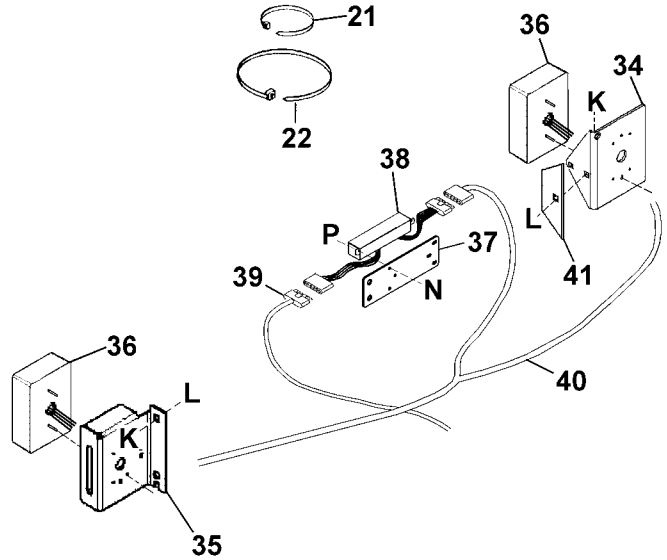
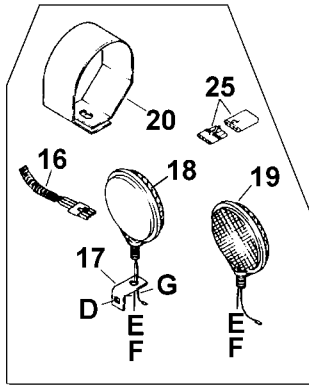
36' HEADER HYDRAULIC REEL FORE-AFT KIT

REF	PART NUMBER	DESCRIPTION	QTY	SERIAL NUMBER	
•	B 2824	HYDRAULIC FORE-AFT KIT, complete - for 36' header (Kit available through WholeGoods only.)			
1	REF	SUPPORT – cylinder, c/w reflector – see Reel Drive & Support Arms.....	2	131620-	
2	43870	SUPPORT - cylinder, center rear	1		
3	49008	SUPPORT - cylinder, left & right front	2	-131619	
4	49000	SUPPORT - cylinder, left & right rear	2		
5	43860	BAR - guide	2		
6	114110	SUPPORT - hose (was 49006).....	2		
7	43980	BAR - adapter	3		
8	121028	CYLINDER – hydraulic (was 49175), see note 2.....	3		
	43887	SEAL KIT - for cylinder 49175, see note 2			
	118157	SEAL KIT – for cylinder 121028, see note 2			
	43803	PISTON - for cylinder (also order proper Seal Kit per note 2)			
10	18704	PIN - clevis, 5/8 dia. x 2.28 inch effective length	3		
11	18624	PIN - clevis, 5/8 dia. x 2.76 inch effective length	3		
12	18648	PIN - cotter, 3/16 dia. x 1-1/4 inch	6		
13	30282	FITTING - 90° elbow, 9/16 O-ring x 3/8 tube.....	6		
14	121032	HOSE – (was 43892): from left cylinder front port	2		
		- center cylinder front port to left cylinder rear port			
15	121033	HOSE – (was 43894): to right cylinder rear port.....	2		
		- right cylinder front port to center cylinder rear port			
16	43848	FASTENER - hose clamp	22		
18	30753	FASTENER - plastic tie	6		
	16661	FASTENER - plastic tie (for reel drive hoses)	5		
23	20535	WASHER - flat (see Note 1 below).....	4		
24	18600	WASHER - flat.....	4		
25	19411	SPACER - bushing	2		
	B 2825	CASE COMPLETION KIT			
31	114229	PLUG – dust	1		
32	114230	CAP – dust.....	1		
33	114142	FITTING – male quick coupler, 7/8 O-ring.....	1		
34	114143	FITTING – female quick coupler, 7/8 O-ring.....	1		
	44210	O-RING – for 7/8 fittings			
35	114141	FITTING – male adapter, 3/8 tube x 7/8 O-ring	2		
	B 2826	JOHN DEERE COMPLETION KIT – FOR 962 HEADERS			
19	15903	FITTING - adapter, 3/8 tube x 9/16 O-ring.....	2		
36	114120	FITTING – female quick coupler, with shut off.....	2		
	B 2827	NEW HOLLAND COMPLETION KIT			
21	21806	FITTING - adapter, 3/8 tube x 1/2 NPT	2		
28	21855	FITTING – male quick coupler, 1/2 NPT	1		
37	103392	HOSE – hydraulic	1		
	B 4577	JOHN DEERE COMPLETION KIT – FOR 963 HEADERS (Except 60 Series Combines)			
19	15903	FITTING - adapter, 3/8 tube x 9/16 O-ring.....	2		
36	114120	FITTING - female quick coupler, with shut off	2		
38	40702	FASTENER – plastic tie.....	1		
39	49227	FASTENER – plastic tie.....	1		
40	21876	PLUG – dust, female	2		
41	113867	HOSE – hydraulic	1		
42	158253	SPACER – coupler mounting	2		
A	19966	BOLT - rnd hd, sq nk, 3/8 NC x 1-1/4"	H	18590	NUT - hex, 3/8 NC
B	30228	NUT - lock, sm flange, 3/8 NC dist. thd	J	21264	BOLT - hex head, 3/8 NC x 1-1/4 inch
C	21871	BOLT - hex hd, 5/8 NC x 2-1/2", full thd.	K	21594	BOLT - hex head, 5/8 NC x 1-1/2 inch
D	18592	NUT - hex, 5/8 NC	L	50124	SCREW - self tap, 5/16 NC x 1/2 inch
E	21579	BOLT - hex head, 3/8 NC x 3-1/4 inch	M	21484	BOLT - rnd hd, sq nk, 3/8 NC x 1-1/2"
F	21868	BOLT - rnd hd, sq neck, 1/2 NC x 1 inch	N	18639	WASHER - lock, 5/8 inch
G	21383	NUT - serrated flange lock, 1/2 NC	P	19965	BOLT – rnd hd, sq nk, 3/8 NC x 1 inch

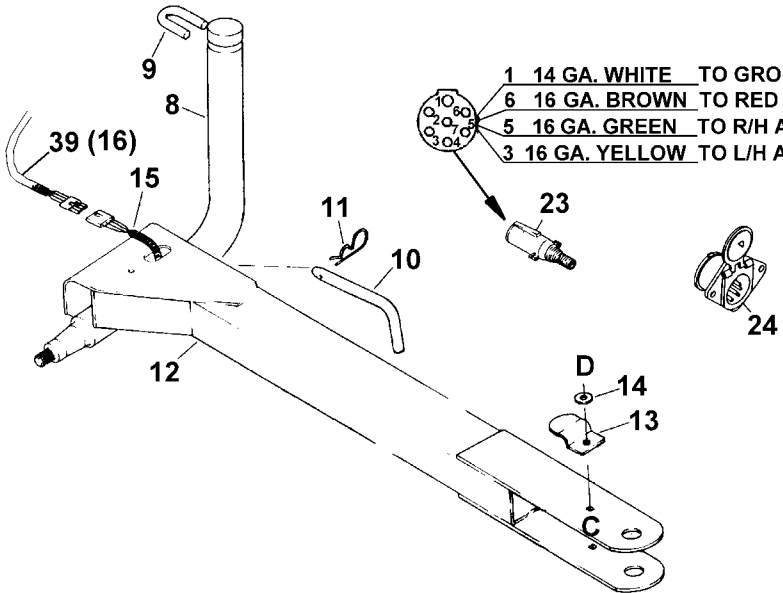
NOTES:

- For washer, item 23: When installed on header with Pick-Up Reel, do not install lower washer (both sides).
- When ordering seal kit for cylinder (item 8), determine which kit you need as follows: Newer cylinder 121028 is identified by an ID sticker marked with its part no. If your cylinder has this ID sticker, order seal kit 118157 or replacement cylinder 121028. If there is no ID sticker, order seal kit 43887, or if replacing complete cylinder order three of 121028, one for each reel arm.

Gauge Wheels with Transport Option LEFT WHEEL SUPPORT, HITCH & ELECTRICAL



- 1 14 GA. WHITE TO GROUND
- 6 16 GA. BROWN TO RED LIGHT
- 5 16 GA. GREEN TO R/H AMBER
- 3 16 GA. YELLOW TO L/H AMBER

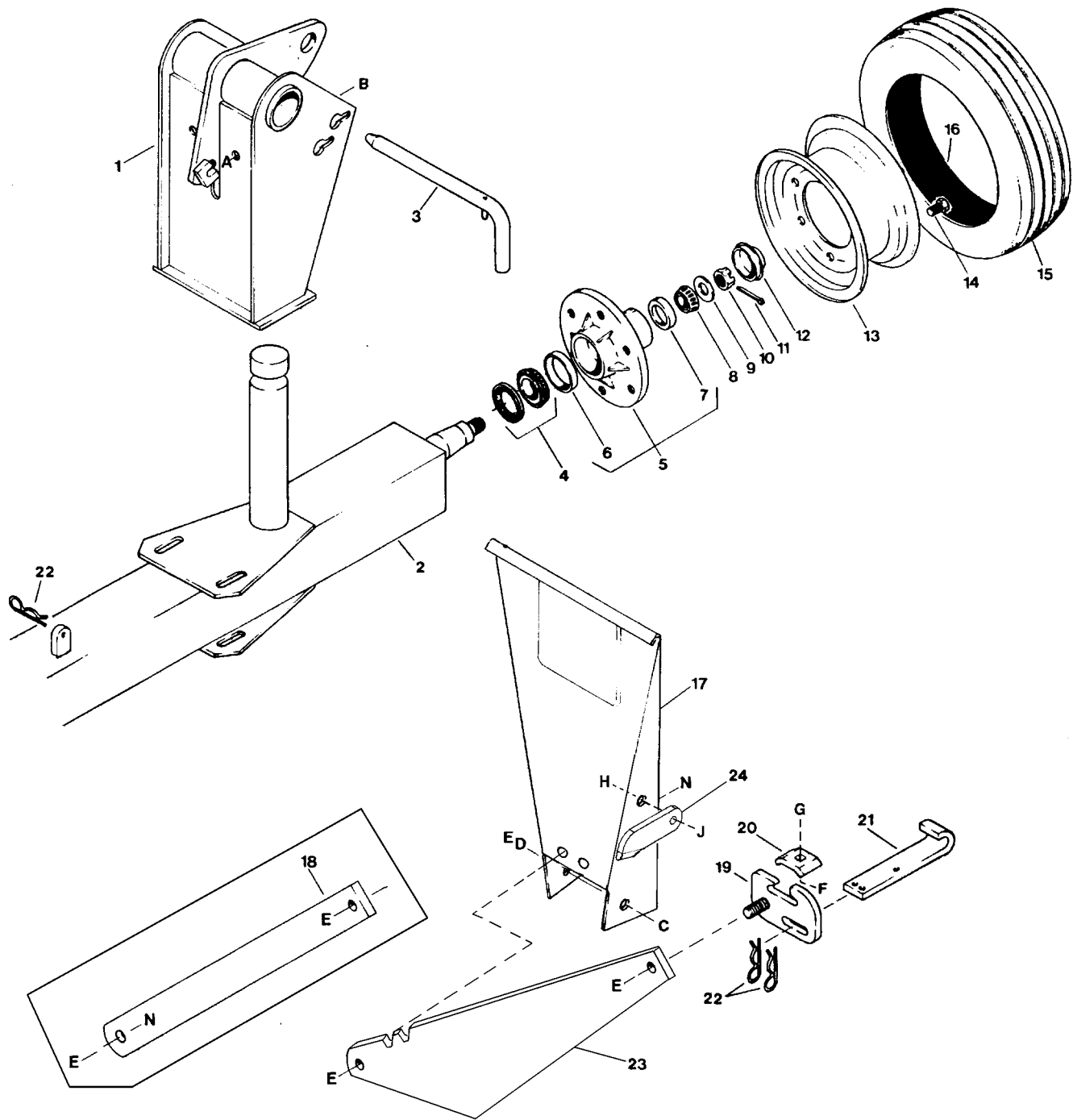


Gauge Wheels with Transport Option LEFT WHEEL SUPPORT, HITCH & ELECTRICAL

- NOTES:** · For standard Gauge Wheel package (no transport option), see page 38 & 39.
· For wheel components see page 36 & 37.

REF	PART NUMBER	DESCRIPTION	QTY	SERIAL NUMBER	
1	49102	SUPPORT - left wheel, with decals & lube fitting	1		
2	35694	BUSHING - plastic.....	4		
3	49060	TUBE - wheel support	2		
4	49065	SUPPORT - spring	2		
5	37442	SPRING – extension, [qty. 4 (2 per side) for 36' headers with a pick-up reel in combination with the Model 960 Combine Adapter]	2		
6	49063	PIN - front	2		
7	18609	PIN - cotter, 1/4 x 2 inch	4		
8	43951	SPINDLE - left wheel.....	1		
9	43975	RETAINER - spindle.....	1		
10	43826	PIN - L.....	1		
11	13125	PIN - hair.....	2		
12	43828	HITCH - with decals & transport chain	1		
13	43982	RETAINER - hitch storage.....	1	-115999	
14	24750	WASHER - rubber	1	-115999	
15	43838	HARNESS - wiring, hitch section, incl. 7-pole plug & 4-way connector.....	1		
16	43977	HARNESS - wiring, header section, incl. 4-way connector (was 43841)	1	-131619	
17	43842	SUPPORT - light	2	-131619	
18	21402	LIGHT - red.....	2	-131619	
19	16539	LIGHT - amber.....	2	-131619	
20	43711	GUARD - amber light.....	1	-124499	
21	21763	FASTENER - plastic tie, 7-1/2 inch	7		
22	30753	FASTENER - plastic tie, 14-1/2 inch	4		
23	30710	PLUG - 7 pole	1		
24	30461	RECEPTACLE - 7 pole, for towing vehicle.....	1		
25	31061	CONNECTOR KIT - harness, includes male and female connectors	1	-131619	
29	101335	BRACKET - tube support	4		
30	101334	BRACKET - tube support (welded).....	4		
31	18671	FITTING - lube.....	2	110100-	
32	103217	SUPPORT - hitch pole storage.....	1	116000-	
33	114011	BOLT - hex head, 1/2 NC x 3-1/4 inch, thread full length, drilled	1		
34	113519	SUPPORT – rear lamp	1	131620-	
35	113580	SUPPORT – front lamp, with amber reflector.....	1	131620-	
36	113518	LAMP – amber/red, ECE/SAE.....	2	131620-	
37	113520	SUPPORT – lamp module.....	1	131620-	
38	113579	MODULE – lamp	1	131620-	
39	113523	HARNESS – wiring, hitch to module	1	131620-	
40	113524	HARNESS – wiring, module to lamps	1	131620-	
41	116062	SPACER – rear lamp support.....	1	131620-	
A	18666	NUT - lock, 5/8 NC dist. thread	J	18591	NUT - hex, 1/2 NC
B	21583	BOLT - hex head, 5/8 NC x 3 inch	K	21868	BOLT – rnd hd, sq nk, 1/2 NC x 1”
C	19965	BOLT - rnd hd, sq nk, 3/8 NC x 1”	L	50186	NUT – lock, 1/2 NC, distorted thread
D	30228	NUT - lock, smth flg, 3/8 NC, D.T.	M	18600	WASHER - flat, 21/32 inch I.D.
E	18638	WASHER - lock, 1/2 inch I.D.	N	135020	SCREW – truss head, #8 NC x 3/4”
F	6771	NUT - hex, 1/2 NF	P	135021	NUT – keps lock, #8 NC
G	21863	BOLT - rnd hd, sq nk, 3/8 NC x 3/4”			

Gauge Wheels with Transport Option RIGHT WHEEL SUPPORT & WHEEL COMPONENTS

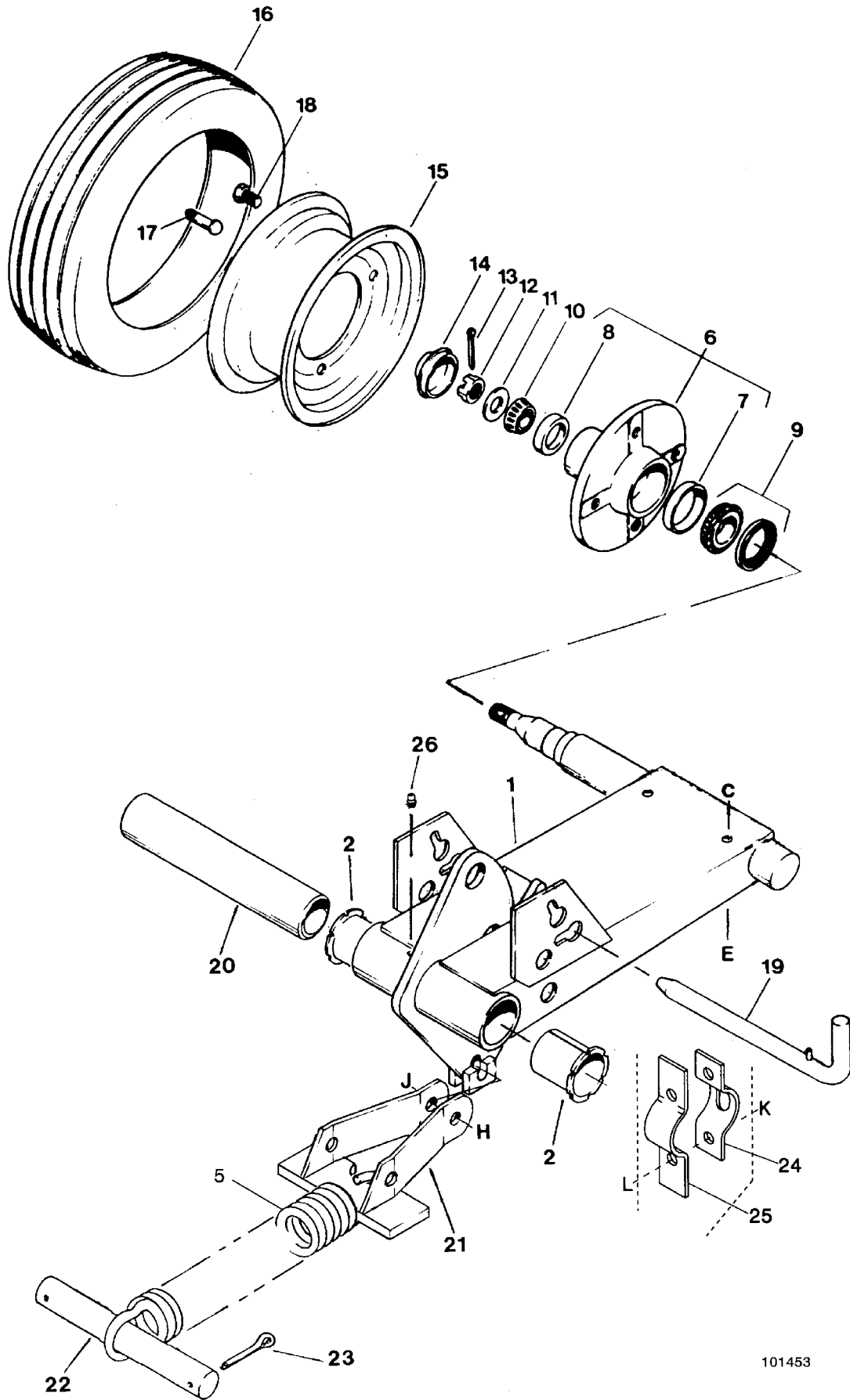


Gauge Wheels with Transport Option RIGHT WHEEL SUPPORT & WHEEL COMPONENTS

NOTES: · For standard Gauge Wheel package (no transport option), see page 38 & 39.
· For parts common to both left and right wheel supports, but not shown here, see page 34 & 35.

REF	PART NUMBER	DESCRIPTION	QTY	SERIAL NUMBER
1	49121	SUPPORT - right wheels, with decal & lube fitting	1	
2	49135	BEAM - axle, right wheels	1	
3	43633	PIN - L, with roll pin	2	
4	30517	BEARING - cone, with seal	3	
5	30521	HUB - with bearing cups, items 6 & 7	3	
6	30516	BEARING - cup, inner	3	
7	7900	BEARING - cup, outer	3	
8	21376	BEARING - cone	3	
9	21540	WASHER - flat, hardened	3	
10	5512	NUT - hex slotted, 3/4 NF	3	
11	18648	PIN - cotter	3	
12	30520	CAP - dust	3	
13	30758	WHEEL - 6 bolt, 14 x 8 KB	3	
14	21719	BOLT - wheel	18	
15	30991	TIRE - tube type, 9.5L-14, 8 ply \pm 1 Rib Implement	3	
16	30827	TUBE - inner	3	
17	49654	SUPPORT - R/H wheel beam, cutterbar end	1	
18	49653	BAR - brace, R/H wheel beam, cutterbar end	1	-131619
19	49154	RETAINER - brace bar	1	
20	49157	ANCHOR - cutterbar, brace bar	1	
21	49146	BAR - locking	1	
22	13125	PIN - hair	3	
23	121003	BAR - brace, R/H wheel beam, cutterbar end	1	131620-
24	121004	LATCH - brace bar, R/H wheel beam, cutterbar end	1	131620-
A	18697	NUT - lock, 1/2 NC distorted thread		
B	21560	BOLT - hex head, 1/2 NC x 3 inch		
C	21586	BOLT - hex head, 5/8 NC x 6 inch		
D	18639	WASHER - lock, 5/8		
E	18666	NUT - lock, 5/8 NC distorted thread		
F	21468	BOLT - round head, square neck, 7/16 NC x 1-3/4 inch		
G	18654	NUT - hex, 7/16 NC		
H	21585	BOLT - hex head, 5/8 NC x 1-1/4 inch		
J	50225	NUT - lock, smooth flange, 5/8 NC distorted thread		
N	21594	BOLT - hex head, 5/8 NC x 1-1/2 inch		

GAUGE WHEELS

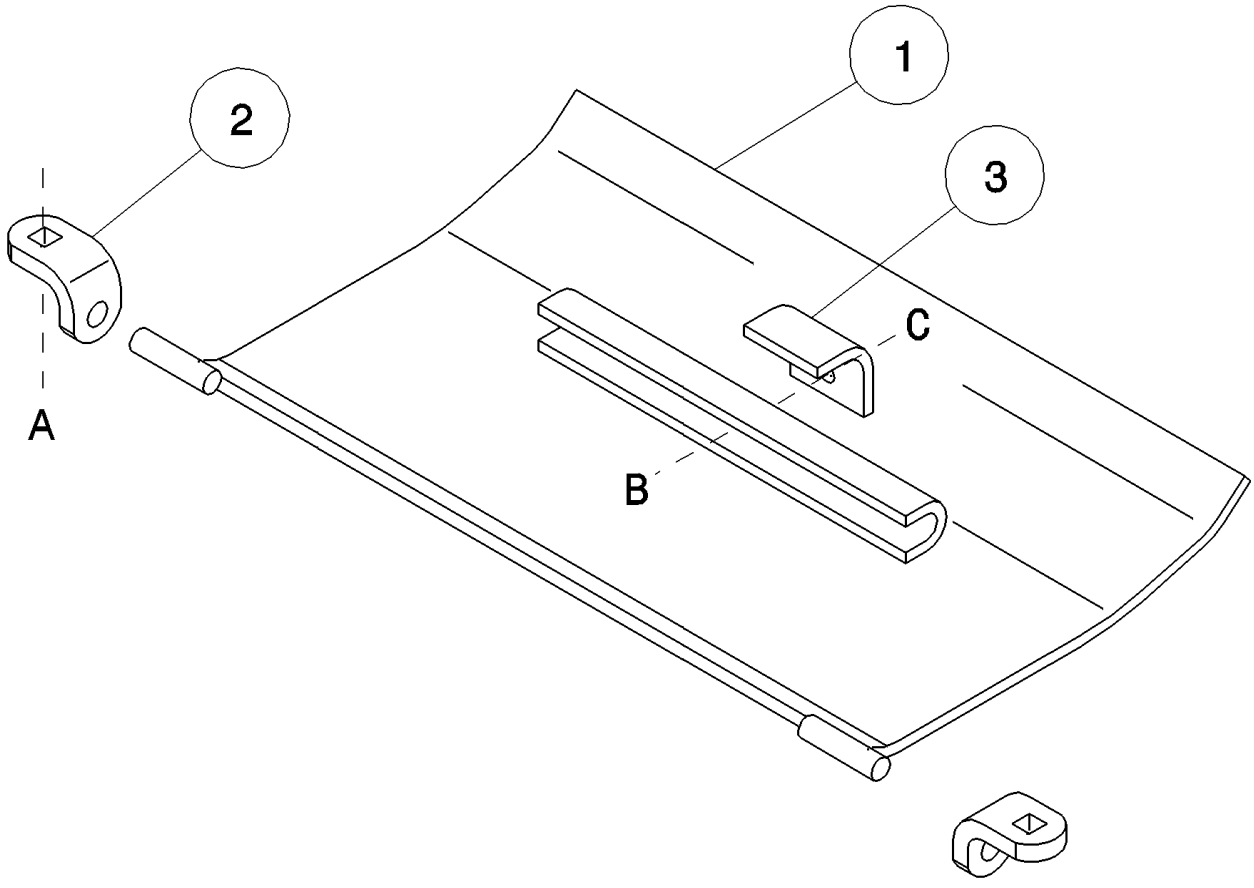


101453

GAUGE WHEELS

REF	PART NUMBER	DESCRIPTION	QTY	SERIAL NUMBER
NOTE: For Gauge Wheel / Transport option, see pages 34 to 37.				
1	49072	SUPPORT - gauge wheel, with welded spindle as shown	1	
	49073	SUPPORT - gauge wheel, with welded spindle opposite side	1	
2	35694	BUSHING - plastic.....	4	
5	37442	SPRING – extension, [qty. 4 (2 per side) for 36' headers with a pick-up reel in combination with the Model 960 Combine Adapter]	2	
6	4453	HUB - with bearing cups	2	
7	7900	BEARING - cup, inner	2	
8	7909	BEARING - cup, outer	2	
9	7910	BEARING - cone, with seal	2	
10	7920	BEARING - cone	2	
11	18601	WASHER - flat, 13/16 inch I.D.....	2	
12	5512	NUT - slotted hex, 3/4 inch NF	2	
13	18648	PIN - cotter, 3/16 x 1-1/4 inch	2	
14	11529	CAP - dust	2	
15	4454	WHEEL - 4 bolt.....	2	
	102186	WHEEL - 4 bolt, with valve stem protector	OPT	
16	4231	TIRE - 6.70 x 15 I1 rib implement.....	2	
	50212	TIRE - 205-75 R15-SL2 radial	OPT	
17	21153	STEM- valve	2	
18	21719	BOLT- wheel.....	8	
19	43633	PIN- lock, with roll pin	2	
20	49060	TUBE - pivot	2	
21	49065	SUPPORT - spring	2	
22	49063	PIN - front	2	
23	18609	PIN - cotter, 1/4 x 2 inch	4	
24	101335	BRACKET - tube support	4	
25	101334	BRACKET - tube support (welded).....	4	
26	18671	FITTING - lube.....	2	110100-
C	21102	BOLT- hex head, 3/8 NC x 2-1/2 inch		
E	30228	NUT- smooth flange, 3/8 NC distorted thread		
H	21583	BOLT - hex head, 5/8 NC x 3 inch		
J	18666	NUT - lock, 5/8 NC distorted thread		
K	21491	BOLT - hex head, 1/2 NC x 1-1/4 inch		
L	18697	NUT - lock, 1/2 NC distorted thread		

SKID SHOES

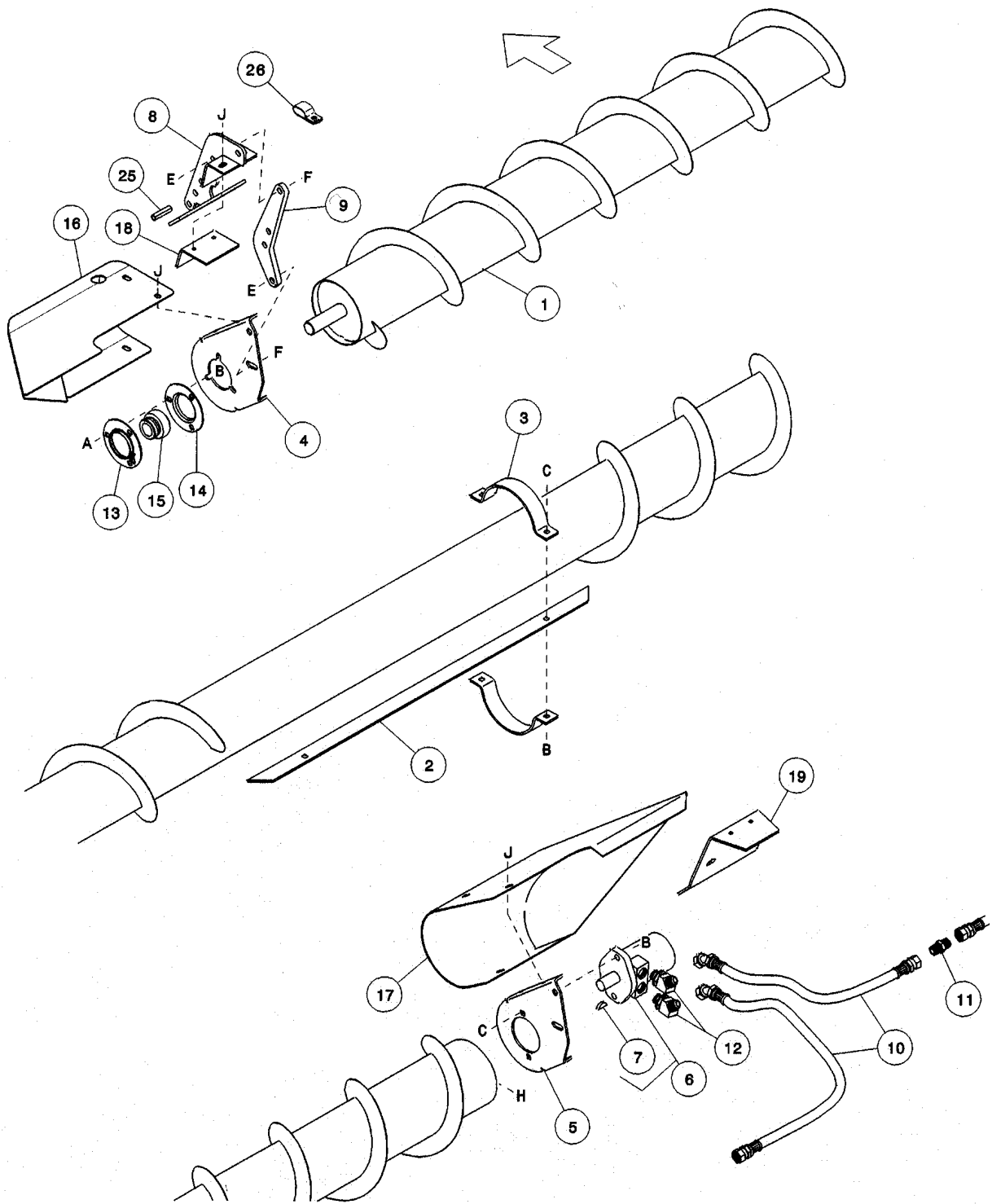


103680

SKID SHOES

REF	PART NUMBER	DESCRIPTION	QTY	SERIAL NUMBER
..	C 1359	KIT- two skid shoes, complete (Available through WholeGoods only)		
1	49461	SHOE- skid, adjustable	2	
2	43195	SUPPORT- front, skid shoe.....	4	
3	49465	ANGLE - rear support.....	2	
4	49460	SHOE - skid, adjustable - with rear support angle & hardware	2	
		(replaces shoe with welded supports at both ends of welded angle)		
A	21468	BOLT- round head, square neck, 7/16 NC x 1-3/4 inch		
B	21264	BOLT - hex head, 3/8 NC x 1-1/4 inch		
C	30228	NUT - lock, smooth flange, 3/8 NC distorted thread		

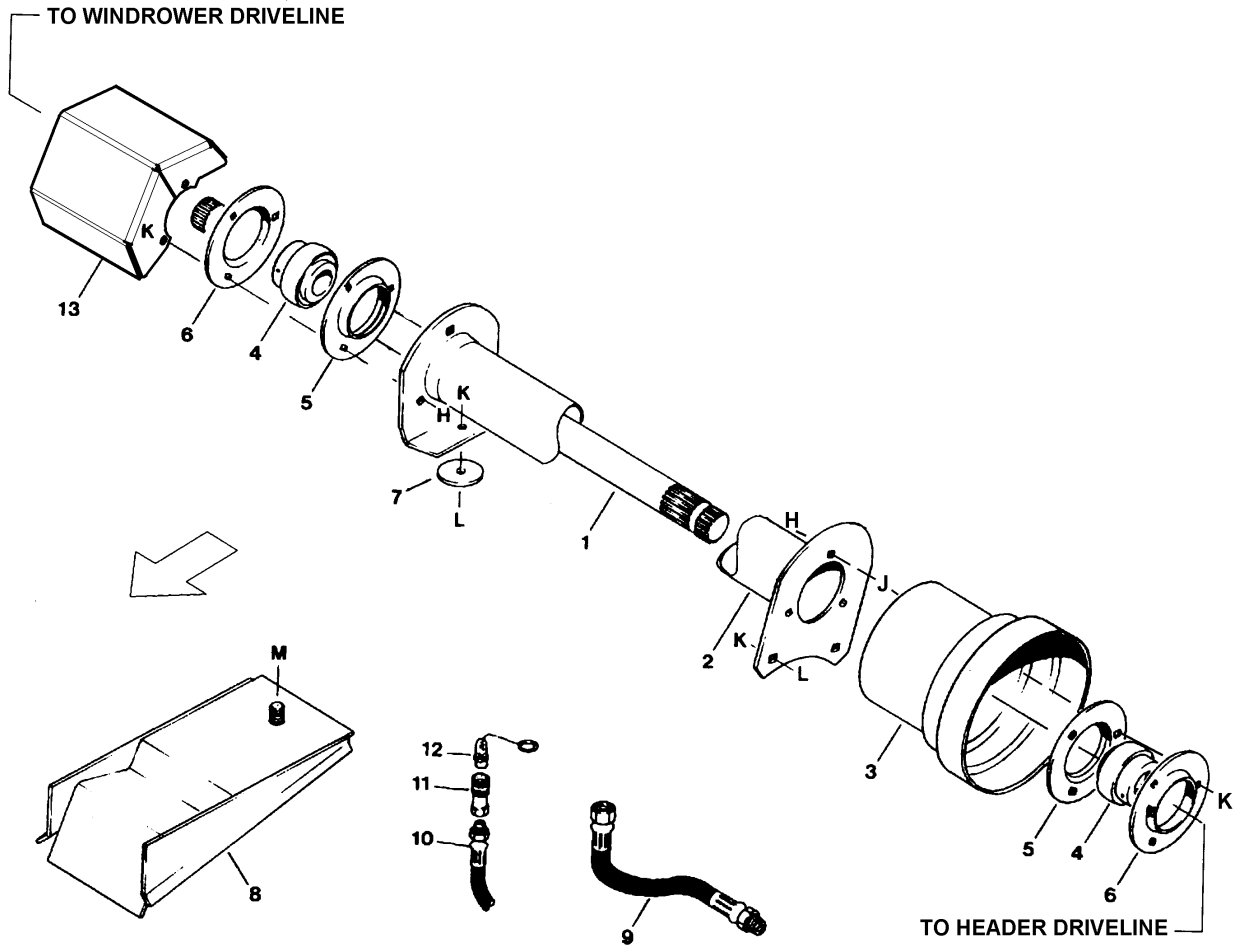
UPPER CROSS AUGER



UPPER CROSS AUGER

REF	PART NUMBER	DESCRIPTION	QTY 30'/36'	SERIAL NUMBER
1	113024	AUGER – upper cross	1	
2	113667	BEATER – auger	2	
3	113666	CLAMP – beater	4	
4	113633	SUPPORT – left.....	1	
5	113631	SUPPORT – right	1	
6	38688	MOTOR – hydraulic, includes item 7	1	
	123314	SEAL KIT – for motor 38688		
7	2149	KEY – Woodruff, 1/4 x 1 inch	1	
8	113629	SUPPORT – auger	2	
9	113983	EXTENSION – auger support.....	2	
10	113659	HOSE – hydraulic.....	2	
11	30558	UNION – 5/8 tube.....	1/2	
12	50103	FITTING - 45° elbow, 5/8 tube x 7/8 O-ring	2	
	44210	O-RING – for 7/8 O-ring fitting		
13	30661	FLANGE – bearing, with lube fitting	1	
14	49306	FLANGE – bearing.....	1	
15	21859	BEARING – ball, with lock collar.....	1	
16	113661	SHIELD – left	1	
17	113665	SHIELD – right	1	
18	113639	SUPPORT – welded, L/H	1	
19	113682	SUPPORT – welded, R/H.....	1	
25	24137	CONDUIT – hose/line protector (headers with hydraulic reel fore-aft)..	4	
26	103738	HOLDER – hose	2	
A	19965	BOLT – round head, square neck, 3/8 NC x 1 inch		
B	30228	NUT – lock, smooth flange, 3/8 NC distorted thread		
C	19966	BOLT – round head, square neck, 3/8 NC x 1-1/4 inch		
E	30368	BOLT – hex head, 1/2 NC x 1-1/4 inch		
F	50186	NUT – lock, smooth flange, 1/2 NC distorted thread		
H	18908	SCREW – set, square head, cup point, 3/8 NC x 1 inch		
J	101898	BOLT – flange head, self tap, 3/8 x 5/8		

9000 Series Windrowers & Center Mount Bi-Directional Adapters MODEL 891 - WINDROWER ADAPTER GROUP



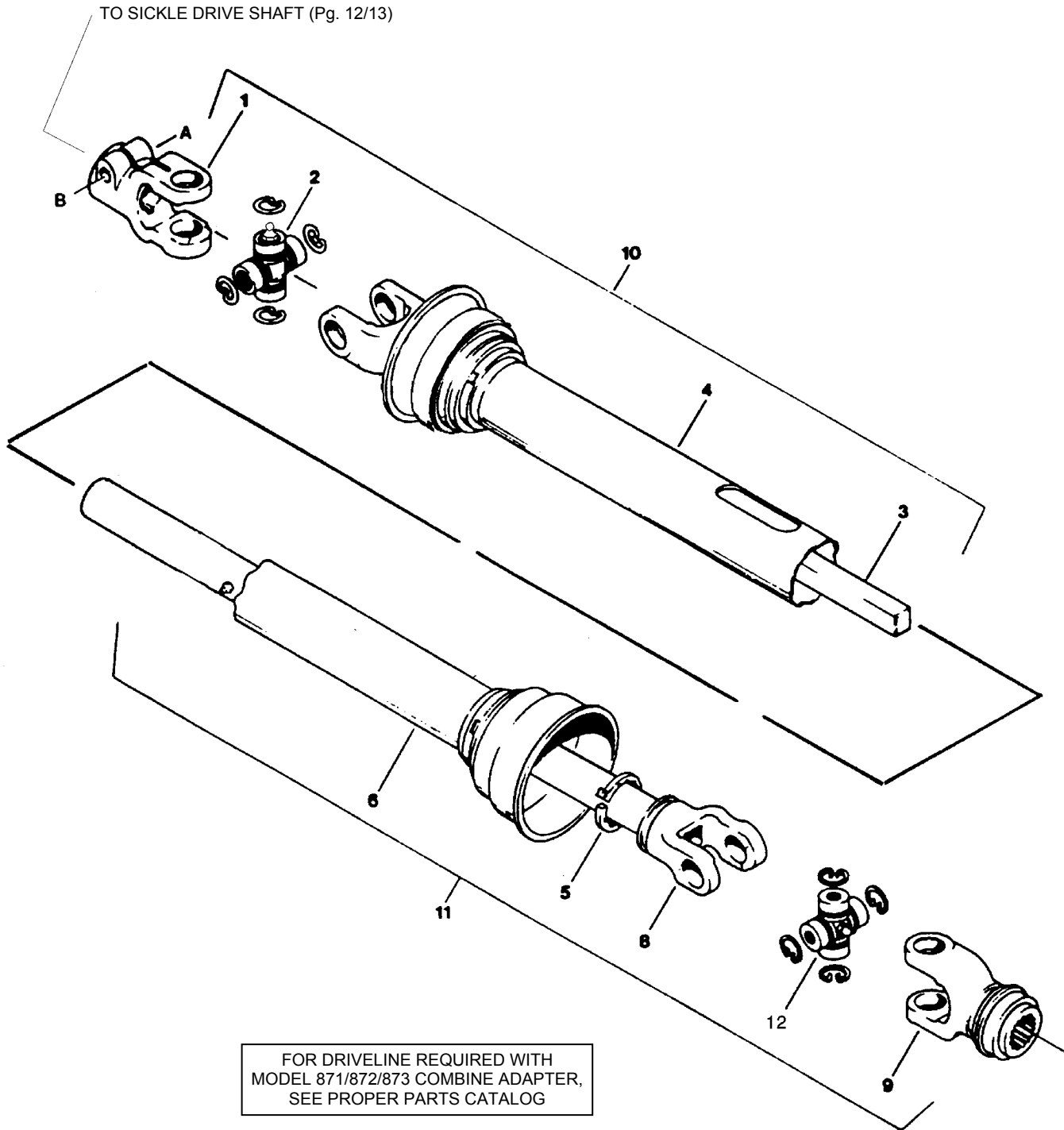
**9000 Series Windrowers & Center Mount Bi-Directional Adapters
MODEL 891 - WINDROWER ADAPTER GROUP**

REF	PART NUMBER	DESCRIPTION	QTY	SERIAL NUMBER
1	43286	SHAFT - driveline adapter	1	
2	43770	SUPPORT - adapter	1	
3	43777	SHIELD – shaft, header end.....	1	
4	21936	BEARING - ball, with collar.....	2	
5	30602	FLANGE - bearing	2	
6	30603	FLANGE - bearing, with lube fitting	2	
7	1246	WASHER - flat, 802 Center Mount Adapter only.....	1	
8	43301	SUPPORT - linkage adapter, lower leg	2	
9	40245	HOSE - draper return (extends hose at header L/H leg)	1	
10	43626	HOSE - reel lift, (attach to hydraulic line at header L/H leg).....	1	
11	30442	COUPLER - female, 1/4 NPT - attach to header reel lift hose	1	
	50083	O-RING - for coupler 30442		
12	21876	PLUG - dust.....	1	
13	121034	SHIELD – shaft, tractor end.....	1	
H	20077	BOLT - hex head, 3/8 NC x 1 inch		
J	18637	WASHER - lock, 3/8 inch		
K	30228	NUT - lock, smooth flange, 3/8 NC distorted thread		
L	19965	BOLT - round head, square neck, 3/8 NC x 1 inch		
M	18666	NUT - lock, 5/8 NC distorted thread		

MODEL 891 ADAPTER - DRIVELINE

Required when mounting to:

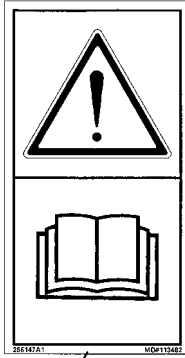
- 960 Combine Adapter
- 9000 Series Windrower Tractor
- Adapters for Bi-Directional Tractor



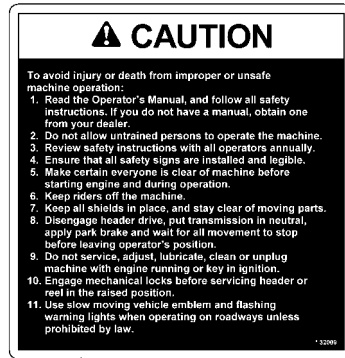
MODEL 891 ADAPTER - DRIVELINE
Required when mounting to:
960 Combine Adapter
9000 Series Windrower Tractor
Adapters for Bi-Directional Tractor

REF	PART NUMBER	DESCRIPTION	QTY	SERIAL NUMBER
1	100692	YOKE - clamp, to header drive shaft	1	
2	114145	CROSS & BEARING KIT, with lube fitting in end cap	1	
3	NSS	YOKE & SHAFT (order item 10).....	1	
4	119050	SHIELD - outer, with decal	1	
5	32800	BEARING KIT - shield	2	
6	43706	SHIELD - inner (was 101172).....	1	
8	NSS	YOKE & TUBE - (order item 11).....	1	
9	24779	YOKE - spline bore, 1-3/8 x 21 teeth, with slide collar	1	
10	119052	JOINT ASSEMBLY - male half, includes items 1,2,3,4,5	1	
11	43707	JOINT ASSEMBLY - female half, includes items 5,6,8,9,12	1	
12	30622	CROSS & BEARING KIT, with lube fitting in body of cross.....	1	
•	119051	DRIVELINE - complete, includes items 10 and 11	1	
A	21880	BOLT - hex head, 1/2 NC x 2-3/4 inch		
B	50186	NUT - lock, smooth flange, 1/2 NC distorted thread		

HEADER DECALS & REFLECTORS



1



1A



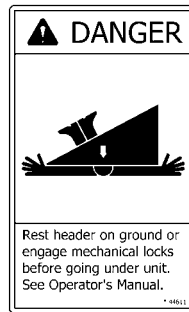
2



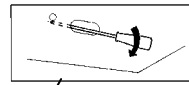
2A



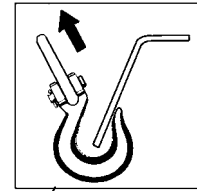
3



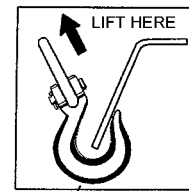
3A



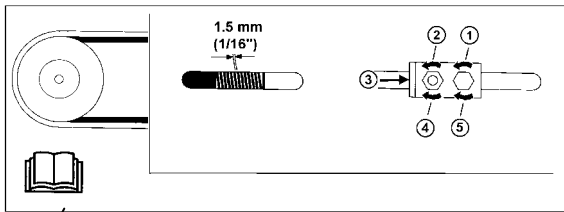
4



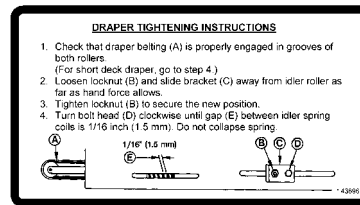
5



5A



6



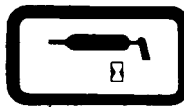
6A



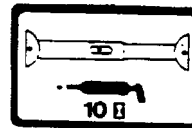
7



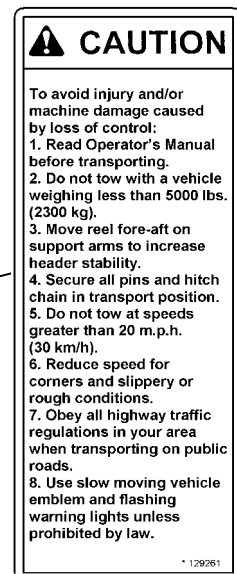
8



9



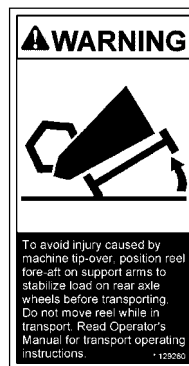
10



13

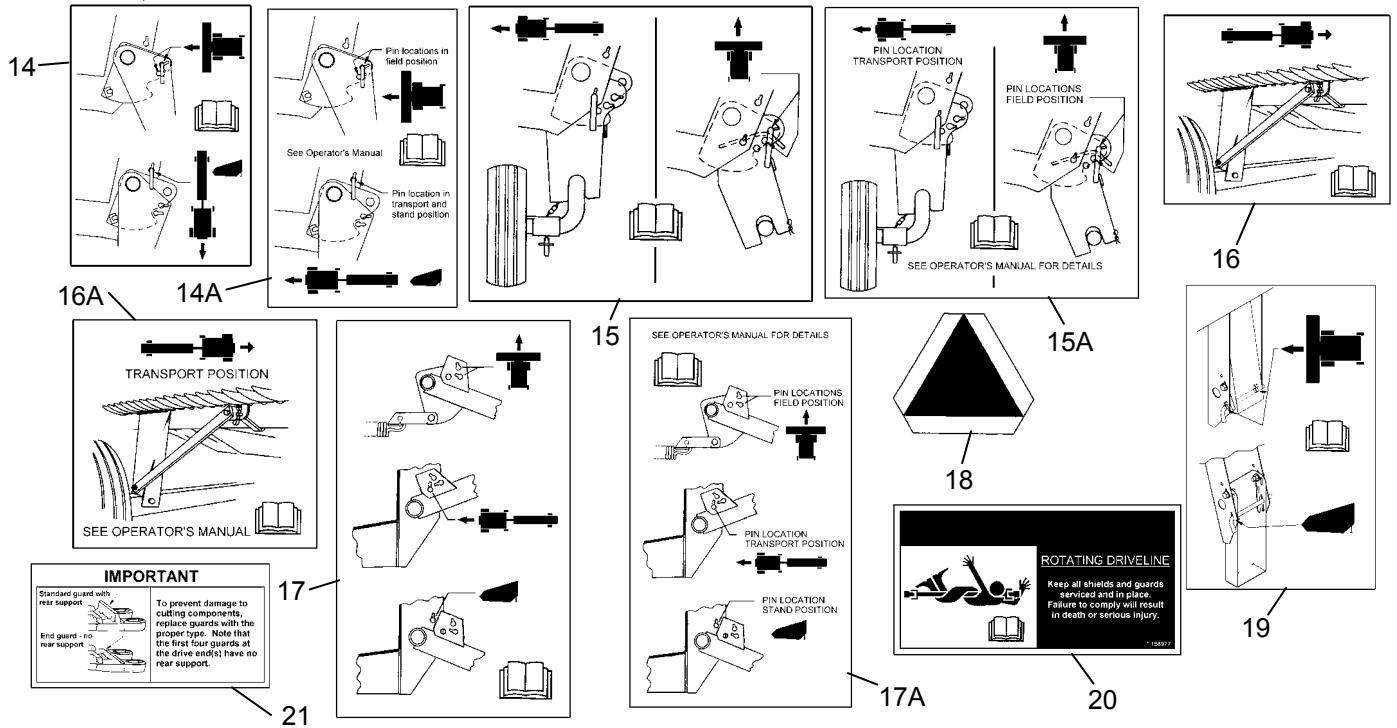


11



12

HEADER DECALS & REFLECTORS



REF	PART NUMBER	DESCRIPTION	QTY	SERIAL NUMBER
1	113482	DECAL – General Hazard (non verbal)		
1A	32009	DECAL – General Caution (text version)		
2	113480	DECAL – Reel Hazard (non verbal)		
2A	42122	DECAL – Reel Hazard (text version)		
3	113483	DECAL – Header Hazard (non verbal)		
3A	44611	DECAL – Header Hazard (text version)		
4	113485	DECAL – Shield Opener		
5	113492	DECAL – Lift Here (non verbal)		
5A	23296	DECAL – Lift Here (text version)		
6	113494	DECAL – Draper Adjustment (non verbal)		
6A	43696	DECAL – Draper Adjustment (text version)		
7	30316	DECAL - DANGER: Rotating Driveline		
8	36651	DECAL - DANGER: Shield Missing		
9	25929	DECAL - 5 Hour Grease, Sickle Head		-124499
	23164	DECAL - 25 Hour Grease, Sickle Head		124500-
	23163	DECAL - 10 Hour Grease		
	23165	DECAL - 50 Hour Grease		
10	24777	DECAL - Driveline Grease		
11	115145	REFLECTOR – Day-Glow Orange		
	115146	REFLECTOR – Amber		
	115147	REFLECTOR - Red		
12	129260	DECAL – Transport Hazard		
13	129261	DECAL – Transport Safety		
14	113488	DECAL – Wheel Positions, R/H Transport (non verbal)		
14A	49173	DECAL – Wheel Positions, R/H Transport (text version)		
15	113489	DECAL – Wheel Positions, L/H Transport (non verbal)		
15A	49172	DECAL – Wheel Positions, L/H Transport (text version)		
16	113491	DECAL – R/H axle, Transport Position (non verbal)		
16A	49152	DECAL – R/H axle, Transport Position (text version)		
17	113490	DECAL – Gauge Wheel Positions (non verbal)		
17A	49171	DECAL – Gauge Wheel Positions (text version)		
18	43843	REFLECTOR – Slow Moving Vehicle, Transport		
19	119015	DECAL – 963 Header Stand		
20	158977	DECAL – DANGER: Rotating driveline		
21	129313	DECAL – IMPORTANT: Guards		

PRODUCT IDENTIFICATION DECALS



31
962 — 32

33 — **962 HARVEST HEADER**
 34 — 963 HARVEST HEADER

31	49433	DECAL - L/H Rainbow with MacDon	1	-115999
	49434	DECAL - R/H Rainbow with MacDon	1	-115999
	102533	DECAL - L/H Rainbow with MacDon	1	116000-
	102532	DECAL - R/H Rainbow with MacDon	1	116000-
32	49482	DECAL - 962	2	-115999
33	102534	DECAL - 962 Harvest Header	2	116000-
34	119029	DECAL - 963 Harvest Header	2	

PAINT

23951	PAINT - black, spray can (25-35 Gloss Level)	-124499
23955	PAINT- black, 1 litre (25-35 Gloss Level)	-124499
135148	PAINT - black, spray can (55-65 Gloss Level) (was 25990)	124500-
25991	PAINT - black, 1 litre (55-65 Gloss Level)	124500-
32879	PAINT - white spray can	
23957	PAINT- white, 1 litre	

NUMERICAL LIST

<u>PART NO.</u>	<u>PAGE</u>	<u>PART NO.</u>	<u>PAGE</u>	<u>PART NO.</u>	<u>PAGE</u>	<u>PART NO.</u>	<u>PAGE</u>
1246	45	18648	37	21858	11	30521	37
2149	9	18648	39	21859	43	30542	3
2149	11	18667	11	21862	13	30542	9
2149	23	18671	29	21876	31	30550	23
2149	43	18671	35	21876	33	30553	11
4231	39	18671	39	21876	45	30558	7
4453	39	18704	31	21934	13	30558	43
4454	39	18704	33	21936	13	30602	13
5512	37	18738	9	21936	45	30602	45
5512	39	18738	11	22070	25	30603	13
7900	25	19411	31	22072	23	30603	45
7900	37	19411	33	23064	15	30622	47
7900	39	19681	25	23163	49	30661	43
7909	39	19809	25	23164	49	30669	15
7910	25	19958	25	23165	49	30696	15
7910	39	20117	25	23296	49	30710	35
7920	39	20535	31	23951	50	30753	31
8640	9	20535	33	23955	50	30753	33
8640	11	21010	29	23957	50	30753	35
8640	25	21062	23	24137	43	30758	37
11142	13	21153	39	24750	35	30827	37
11529	39	21194	15	24777	49	30852	15
13125	5	21301	29	24779	47	30857	7
13125	35	21376	37	25059	3	30991	37
13125	37	21402	35	25059	13	31061	35
13747	5	21494	9	25929	49	31062	3
15903	31	21494	11	25991	50	32009	49
15903	33	21495	9	26446	25	32116	9
16235	25	21495	11	26671	9	32116	11
16266	5	21540	37	26847	25	32202	29
16539	3	21545	25	26848	25	32225	7
16539	35	21719	37	27160	29	32225	9
16568	9	21719	39	29168	9	32225	11
16568	11	21746	7	29168	11	32225	25
16652	23	21763	11	29934	9	32225	31
16661	3	21763	35	30282	9	32416	11
16661	33	21806	31	30282	11	32800	47
18600	31	21806	33	30282	31	32879	50
18600	33	21855	7	30282	33	32891	3
18601	39	21855	9	30283	9	32892	3
18609	35	21855	11	30283	11	32893	3
18609	39	21855	31	30316	49	33003	25
18624	31	21855	33	30375	9	33010	25
18624	33	21856	9	30375	11	33265	25
18629	25	21856	11	30442	45	33955	15
18648	9	21857	7	30461	35	34390	15
18648	25	21857	9	30516	37	34390	17
18648	31	21857	11	30517	37	34391	15
18648	33	21858	9	30520	37	35694	29

NUMERICAL LIST

<u>PART NO.</u>	<u>PAGE</u>	<u>PART NO.</u>	<u>PAGE</u>	<u>PART NO.</u>	<u>PAGE</u>	<u>PART NO.</u>	<u>PAGE</u>
35694	35	43219	25	43802	11	49073	39
35694	39	43261	3	43803	31	49075	21
36651	49	43286	45	43803	33	49076	3
36849	9	43301	45	43826	35	49080	25
36849	9	43320	23	43828	35	49081	25
36849	11	43326	25	43838	35	49087	25
37167	7	43464	25	43842	35	49102	35
37167	9	43469	21	43843	49	49109	9
37167	11	43513	23	43848	31	49109	11
37336	25	43517	23	43848	33	49121	37
37345	9	43521	23	43853	9	49135	37
37345	11	43523	23	43860	31	49146	37
37367	3	43530	23	43860	33	49152	49
37442	35	43542	23	43870	31	49154	37
37442	39	43556	23	43870	33	49157	37
37797	9	43558	23	43887	31	49169	21
37830	11	43581	21	43887	33	49171	49
37851	25	43597	9	43895	31	49172	49
37866	25	43612	9	43896	31	49173	49
37869	25	43612	9	43951	35	49209	23
37881	11	43615	7	43965	13	49227	31
37881	31	43624	7	43975	35	49227	33
37885	25	43626	9	43977	35	49232	11
37912	23	43626	11	43980	31	49306	43
37919	25	43626	45	43980	33	49342	3
37930	15	43629	9	43982	35	49433	50
37948	25	43629	11	44210	7	49434	50
38688	43	43630	9	44210	31	49459	29
38740	3	43633	5	44210	33	49460	41
38741	3	43633	37	44210	43	49461	41
38894	13	43633	39	44611	49	49465	41
40008	23	43648	5	45153	9	49468	29
40110	29	43661	9	47154	25	49470	29
40245	45	43661	11	47167	25	49476	29
40701	11	43664	9	47832	15	49482	50
40702	31	43665	11	47876	3	49486	21
40702	33	43666	11	49000	31	49487	21
42122	49	43667	7	49000	33	49488	21
43011	9	43671	7	49007	31	49489	21
43011	11	43672	7	49008	31	49526	23
43077	15	43706	47	49008	33	49629	25
43078	15	43707	47	49056	23	49633	29
43101	3	43711	3	49060	35	49653	37
43102	3	43711	35	49060	39	49654	37
43106	29	43768	7	49063	35	49660	3
43109	29	43770	45	49063	39	49661	3
43145	29	43777	45	49065	35	49671	15
43195	41	43779	23	49065	39	50022	7
43219	23	43802	9	49072	39	50022	9

NUMERICAL LIST

<u>PART NO.</u>	<u>PAGE</u>	<u>PART NO.</u>	<u>PAGE</u>	<u>PART NO.</u>	<u>PAGE</u>	<u>PART NO.</u>	<u>PAGE</u>
50022	11	100719	19	103217	35	113520	35
50082	7	100720	19	103239	3	113523	35
50082	9	100721	19	103240	3	113524	35
50082	11	100722	19	103330	9	113579	35
50083	45	100723	19	103330	11	113580	35
50103	7	100726	19	103366	25	113586	15
50103	43	100730	13	103392	31	113587	15
50104	7	100737	13	103392	33	113629	43
50193	3	100765	3	103495	21	113631	43
50212	39	100766	3	103495	21	113633	43
50228	15	101019	3	103497	25	113639	43
52031	15	101255	23	103542	21	113659	43
100039	13	101292	25	103554	13	113661	43
100042	13	101332	23	103565	19	113665	43
100050	13	101334	35	103580	11	113666	43
100102	23	101334	39	103605	13	113667	43
100108	23	101335	35	103607	13	113682	43
100262	23	101335	39	103685	7	113698	15
100265	21	101336	21	103705	15	113797	13
100266	21	101371	21	103712	25	113804	13
100267	21	101644	23	103738	43	113835	11
100268	21	101648	23	103819	25	113867	31
100322	23	101667	23	103820	11	113867	33
100323	23	101669	23	103829	25	113937	15
100399	3	101674	21	108222	13	113938	21
100500	15	101696	23	113024	43	113962	23
100501	15	101718	21	113152	19	113983	43
100502	15	101777	21	113153	19	114006	13
100528	9	101778	21	113222	15	114011	35
100532	15	101779	21	113229	15	114027	3
100532	19	101786	21	113232	15	114109	15
100549	3	101787	21	113429	23	114110	31
100554	13	101794	13	113471	3	114110	33
100556	13	101916	7	113473	3	114120	31
100558	13	101917	7	113474	3	114120	33
100561	13	101919	7	113475	3	114127	3
100655	13	102176	7	113480	49	114141	31
100692	47	102186	39	113482	49	114141	33
100706	19	102509	3	113483	49	114142	31
100707	19	102532	50	113485	49	114142	33
100708	19	102533	50	113488	49	114143	31
100709	19	102534	50	113489	49	114143	33
100710	19	102629	19	113490	49	114145	47
100712	19	102630	19	113491	49	114195	7
100714	19	102653	11	113492	49	114229	31
100715	19	102836	13	113494	49	114229	33
100716	19	102876	15	113511	3	114230	31
100717	19	103096	19	113518	35	114230	33
100718	19	103188	23	113519	35	114234	23

NUMERICAL LIST

<u>PART NO.</u>	<u>PAGE</u>	<u>PART NO.</u>	<u>PAGE</u>	<u>PART NO.</u>	<u>PAGE</u>	<u>PART NO.</u>	<u>PAGE</u>
114262	25	121034	45	158977	49		
114319	23	123314	9	B 2823	31		
115145	49	123314	11	B 2825	31		
115146	49	123314	23	B 2825	33		
115147	49	123314	43	B 2826	31		
115321	15	129000	17	B 2826	33		
115670	15	129002	17	B 2827	31		
116007	11	129006	17	B 2827	33		
116009	11	129010	17	B 4577	31		
116010	11	129024	17	B 4577	33		
116032	7	129026	17	C 1359	41		
116034	7	129029	17				
116035	3	129030	17				
116039	13	129043	17				
116040	13	129159	3				
116059	25	129160	3				
116062	35	129162	3				
118084	7	129221	3				
118131	11	129260	49				
118157	9	129261	49				
118157	11	129313	49				
118157	31	129329	15				
118157	33	129361	15				
118162	15	129433	15				
118344	15	129508	3				
118345	15	129524	11				
118474	11	129525	9				
118475	15	129525	11				
119009	5	129574	23				
119015	49	129857	21				
119020	3	129858	21				
119023	3	135148	50				
119029	50	135234	7				
119047	13	135333	3				
119049	13	135356	11				
119050	47	135418	7				
119051	47	135419	7				
119052	47	135422	7				
121003	37	137035	29				
121004	37	139003	19				
121008	21	153971	7				
121009	21	153977	7				
121028	31	158172	7				
121028	33	158253	31				
121029	25	158253	33				
121031	25	158516	15				
121032	31	158516	17				
121032	33	158680	15				
121033	33	158681	15				

Model 962/963 Harvest Header SUGGESTED STOCKING LIST

P.C. REF	PART NUMBER	DESCRIPTION	SUGGESTED QTY.		ORDER QTY	UNIT PRICE	EXT. PRICE
			2 UNITS	5 UNITS			
<u>MAIN FRAME, LIGHTS & ATTACHMENTS</u>							
<u>- Parts Catalog Pg 3</u>							
9	135333	PIN - clevis	1	2			
10	50193	PIN - lynch	1	2			
<u>REEL LIFT & REEL DRIVE HYDRAULICS</u>							
<u>- Parts Catalog Pg 9</u>							
7	118157	SEAL KIT - double acting cylinder	1	2			
14	21495	SEAL KIT - single acting cylinder	1	2			
28	123314	SEAL KIT - hydraulic motor	1	1			
<u>36' REEL LIFT HYDRAULICS - Parts Catalog Pg 11</u>							
4	113835 *	SEAL KIT - for center cylinder	1	1			
<u>DRIVE SHAFT ASSEMBLY - Parts Catalog Pg 13</u>							
3	30602	FLANGE - bearing	1	2			
4	30603	FLANGE - bearing, with lube fitting	1	2			
5	21936	BEARING - ball, with lock collar	1	2			
11	114006 ●	BELT - sickle drive	1	3			
	108222 ▲	BELT - sickle drive	1	3			
14	11142	KEY - Woodruff, SAE #C	1	2			
<u>SICKLE & DRIVE - Parts Catalog Pg 15</u>							
3	113698	ARM - output	1	3			
4	113229	PIN - sickle head	2	4			
7	100500	BEARING - needle	1	3			
8	113222	SEAL - sickle head	1	3			
9	102876	BAR - reinforcing	50	200			
10	129361	SICKLE - fine, less head: L/H	1	3			
11	34390	SECTION - fine, sickle, top-serrated	50	200			
12	34391	SECTION - sickle, half	2	8			
13	43077 *	SICKLE - fine, R/H, 30'	1	3			
	43078 *	SICKLE - fine, R/H, 36'	1	3			
14	30696	SCREW - sickle section	50	200			
15	49671	SCREW - sickle head & splice pl.	15	60			
16	30669	NUT - sickle	50	200			
17	33955	BAR - splice	1	1			
18	118345	SICKLE GUARD - left end	3	10			
19	23064	SICKLE GUARD	10	100			
20	118162	GUIDE - sickle, hold-down	10	40			
21	30852	SCREW - sickle head	15	60			
24	129329	BAR - reinforcing	1	2			
25	115321	HEAD ASSEMBLY - sickle	2	4			

● - Windrower and following Combines: John Deere, Case, Agco, New Holland

▲ - Lexion Combine only

* - Order to suit header sizes sold.

Continued next page...

**Model 962/963 Harvest Header
SUGGESTED STOCKING LIST**

P.C. REF	PART NUMBER	DESCRIPTION	SUGGESTED QTY.		ORDER QTY	UNIT PRICE	EXT. PRICE
			2 UNITS	5 UNITS			
<u>SICKLE DRIVE BOX - Parts Catalog Pg 19</u>							
	100532	DRIVE - sickle, complete	0	1			
1	100706	YOKE - output	0	1			
2	100707	SEAL - oil, output shaft	2	4			
3	100708	BUSHING - bronze	1	2			
5	100726	BUSHING - steel	1	2			
8	100710	SHAFT - input	0	1			
10	100712	O-RING	1	2			
11	102630	SEAL - oil, input shaft	1	2			
12	100714	BEARING ASS'Y - cup & cone	1	2			
16	100717	BEARING ASS'Y - cup & cone	1	2			
18	100719	CAP - dust	1	2			
20	100720	BEARING ASS'Y - cup & cone	2	4			
21	100721	PIVOT	0	1			
22	100722	RING - retaining, internal	2	4			
23	100723	BUSHING - bronze	2	4			
<u>DRAPERS & CARRIER DECKS - Parts Catalog Pg 21</u>							
6	103495	PLATE - top guide	0	1			
25	100265 *	DRAPER - left side, 30 ft. header	0	1			
	100266 *	DRAPER - right side, 30 ft. header	0	1			
	100267 *	DRAPER - left side, 36 ft. header	0	1			
	100268 *	DRAPER - right side, 36 ft. header	0	1			
	49169	DRAPER - extension piece	1	2			
26	43469	SLAT - connector kit	2	3			
<u>DRAPER ROLLERS - Parts Catalog Pg 23</u>							
5	40008	WASHER - flat	1	2			
6	30550	BEARING - ball, drive roller	2	6			
7	101648	SUPPORT - drive roller	1	2			
12	21062	BEARING - ball, idler roller	2	4			
13	43523	WASHER - flat	1	2			
<u>BAT REEL - Parts Catalog Pg 29</u>							
6	35694	BUSHING - reel support	3	5			
9	43145	ARM - reel	1	3			
<u>TRANSPORT OPTION - Parts Catalog Pg 35 & 37</u>							
10	43826 *	PIN - L	0	1			
3	43633 *	PIN - L, with roll pin	1	2			
21	49146 *	BAR - locking	1	2			
<u>DRIVELINE for 960 Combine Adapter, 9000 Tractor & 9030 Adapters - Parts Catalog Pg 47</u>							
2	114145	CROSS & BEARING KIT	1	2			
12	30622	CROSS & BEARING KIT	1	2			
<u>PAINT - Parts Catalog Pg 50</u>							
	25991	PAINT - black, 1 litre	1	1			
	23957	PAINT - white, 1 litre	1	1			

* - Order to suit header sizes and types sold.