

MacDon Model 5010 Power-Tongue Windrower Parts Catalog

CONTENTS

Main Frame, Tongue & Transport Lock	2
Hitch Group	3
Float and Lift Group	4, 5
Wheels and Tires	6, 7
Header Frame, Deflector & Shields	8, 9
Feed Pans & Stripper Bars	10, 11
Skid Shoes	12, 13
Steering & Lift Cylinder Hydraulics	14, 15
Header Drive Hydraulics	16, 17
Pump/Gearbox Assembly	18, 19
Header Primary Drive	20, 21
Sickle and Belt Drive	22, 23
Sickle Stub Guards (Option)	24, 25
Sickle Drive Box	26, 27
Reel and Drive	28 - 31
Auger and Drive	32, 33
Conditioner Rolls & Drivelines	34, 35
Forming Shields	36, 37
Tool Box & Wrench	38
Light Group	39
Decals & Reflectors	40, 41
Paint	41
Product Identification Decals	42
Tall Crop Dividers (Attachment)	43
Numerical List	44 – 46
Suggested Stocking List	47, 48

ABBREVIATIONS:

L/H - left hand, determined from Operator's position, facing forward.

R/H - right hand

ID - inside diameter

OD - outside diameter

NC - national coarse thread

NF - national fine thread

AR - as required (quantity varies with header size)

REF - reference, part number is called up elsewhere in catalog.

NSS - not serviced separately

NOTE: Common hardware is not illustrated. Alphabetic references are used to designate position and description of these items.

When ordering, be sure the complete and proper serial number is given.

Some parts vary with header size; be sure you are ordering the correct number for your windrower.

SERIAL NUMBER BREAKS:

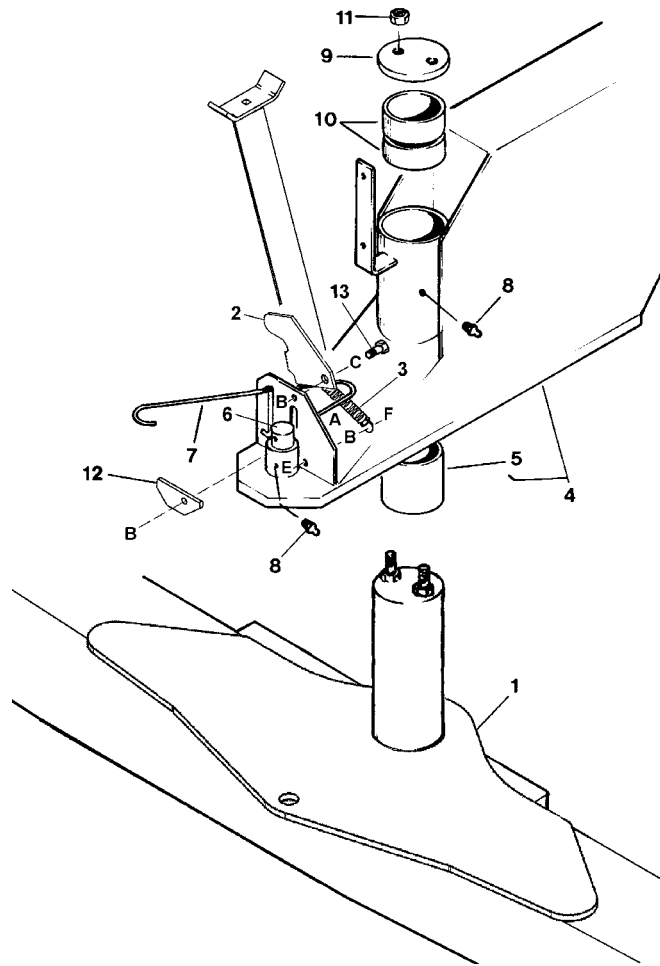
The side of the serial number on which the dash (-) appears determines whether the part is used "up to" or "after" the serial number given.

Example: -77746 Used on machines up to and including serial number 77746.

 77747- Used on machines including and after serial number 77747.

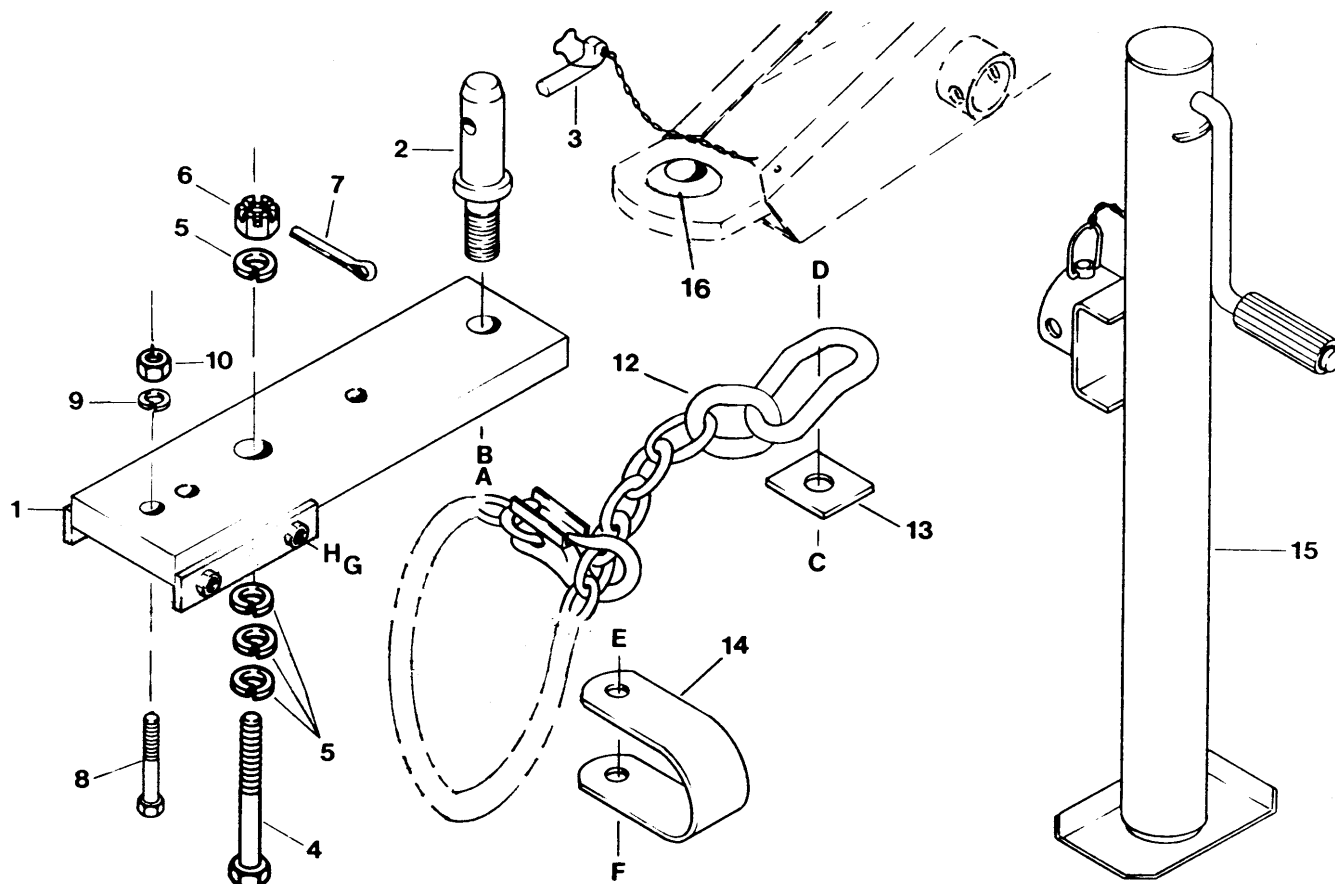
BOLDDED PART NUMBERS INDICATE CHANGE FROM LAST PRODUCTION YEAR

MAIN FRAME, TONGUE & TRANSPORT LOCK



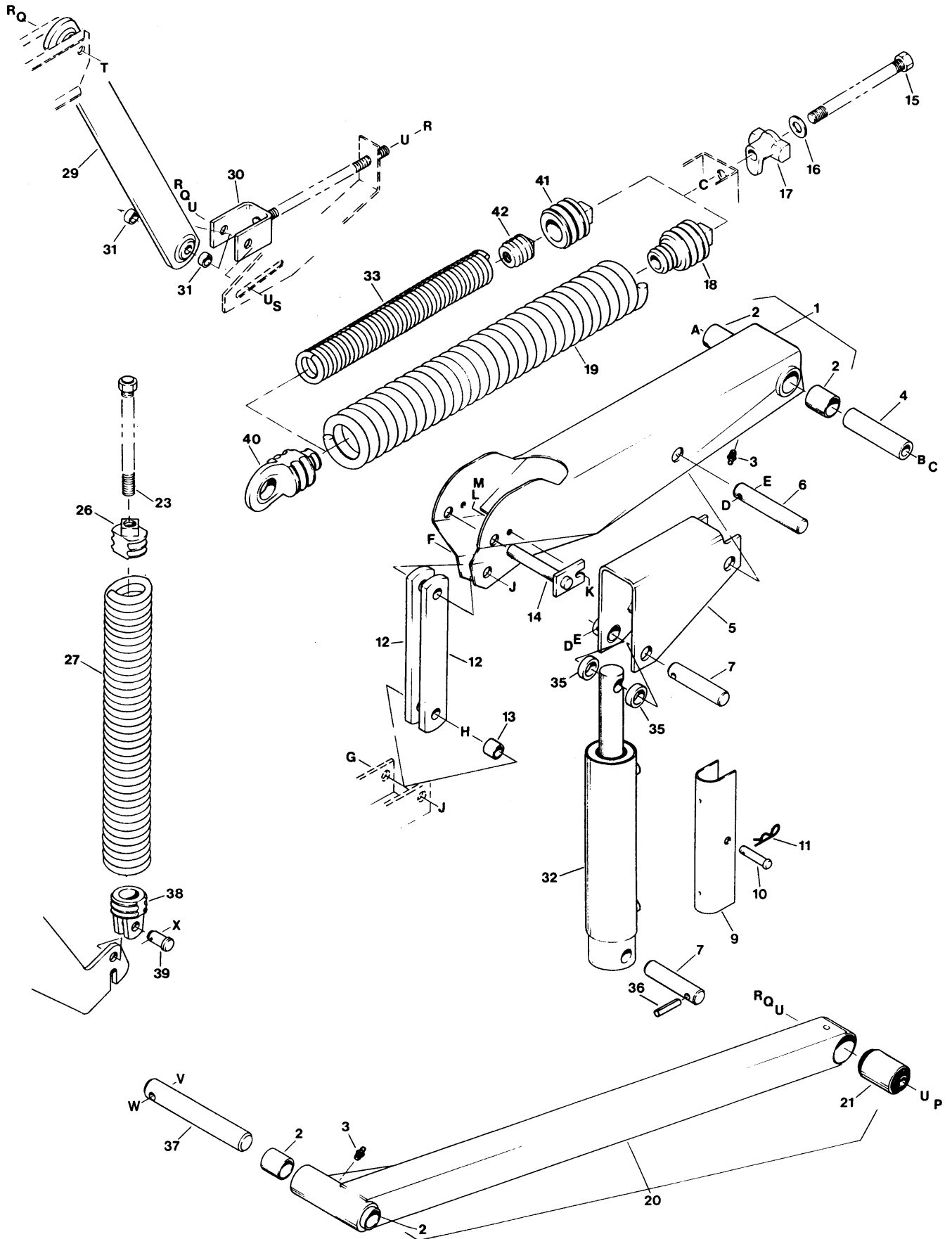
REF	PART NUMBER	DESCRIPTION	QTY	SERIAL NUMBER
1	REF	FRAME - main, not serviced	1	
2	115559	PLATE – rod retainer.....	1	
3	115667	SPRING - extension.....	1	
4	41590	TONGUE - 12 ft. header, includes items 5 (qty 1) and 10 (qty. 2) & decals. 1	1	
	41591	TONGUE - 14 ft. header, includes items 5 (qty 1) and 10 (qty. 2) & decals. 1	1	
	41592	TONGUE - 16 ft. header, includes items 5 (qty 1) and 10 (qty. 2) & decals. 1	1	
5	36836	BUSHING - plastic.....	1	
6	41660	PIN - transport lock.....	1	
7	41659	ROD - transport lock.....	1	
8	18671	FITTING - lube	2	
9	41100	RETAINER - frame shaft.....	1	
10	36823	BUSHING - plastic.....	2	
11	18666	NUT - lock, 5/8 NC distorted thread	2	
12	115133	BAR – rod retainer.....	1	
13	27647	BOLT – hex head, shoulder, 3/8 NC	1	
A	20077	BOLT – hex head, 3/8 NC x 1 inch		
B	30228	NUT – lock, smooth flange, 3/8 NC distorted thread		
C	18599	WASHER – flat, 17/32 inch ID		
E	50004	BOLT – hex head, 3/8 NC x 1 ¼ inch thread full length		
F	18669	NUT – lock, 3/8 NC distorted thread		

HITCH GROUP



REF	PART NUMBER	DESCRIPTION	QTY	SERIAL NUMBER
1	41650	EXTENSION - hitch.....	1	
2	30903	PIN - hitch.....	1	
3	30902	PIN - lock.....	1	
4	41655	BOLT - drilled, 1 NC x 4 inch.....	1	
5	18642	WASHER - lock, 1 inch.....	4	
6	30898	NUT - slotted hex, 1 NC.....	1	
7	18609	PIN - cotter, 1/4 x 2 inch.....	1	
8	21406	BOLT - hex head, 5/8 NC x 3 1/2 inch.....	1	
9	18639	WASHER - lock, 5/8 inch.....	1	
10	18666	NUT - lock, 5/8 NC distorted thread.....	1	
12	21404	CHAIN - hitch.....	1	
13	29467	WASHER - flat.....	1	
14	29598	CLEVIS - hitch chain.....	1	
15	41785	JACK - hitch.....	1	
16	30904	BALL JOINT - hitch (welded).....	1	
A	18855	NUT - hex, 7/8 NF		
B	18641	WASHER - lock, 7/8 inch		
C	19957	BOLT - hex head, 3/4 NC x 2 1/2 inch		
D	18689	NUT - lock, 3/4 NC distorted thread		
E	21406	BOLT - hex head, 5/8 NC x 3 1/2 inch		
F	18666	NUT - lock, 5/8 NC distorted thread		
G	21871	BOLT - hex head, 5/8 NC x 2 1/2 inch thread full length		
H	18592	NUT - hex, 5/8 NC		

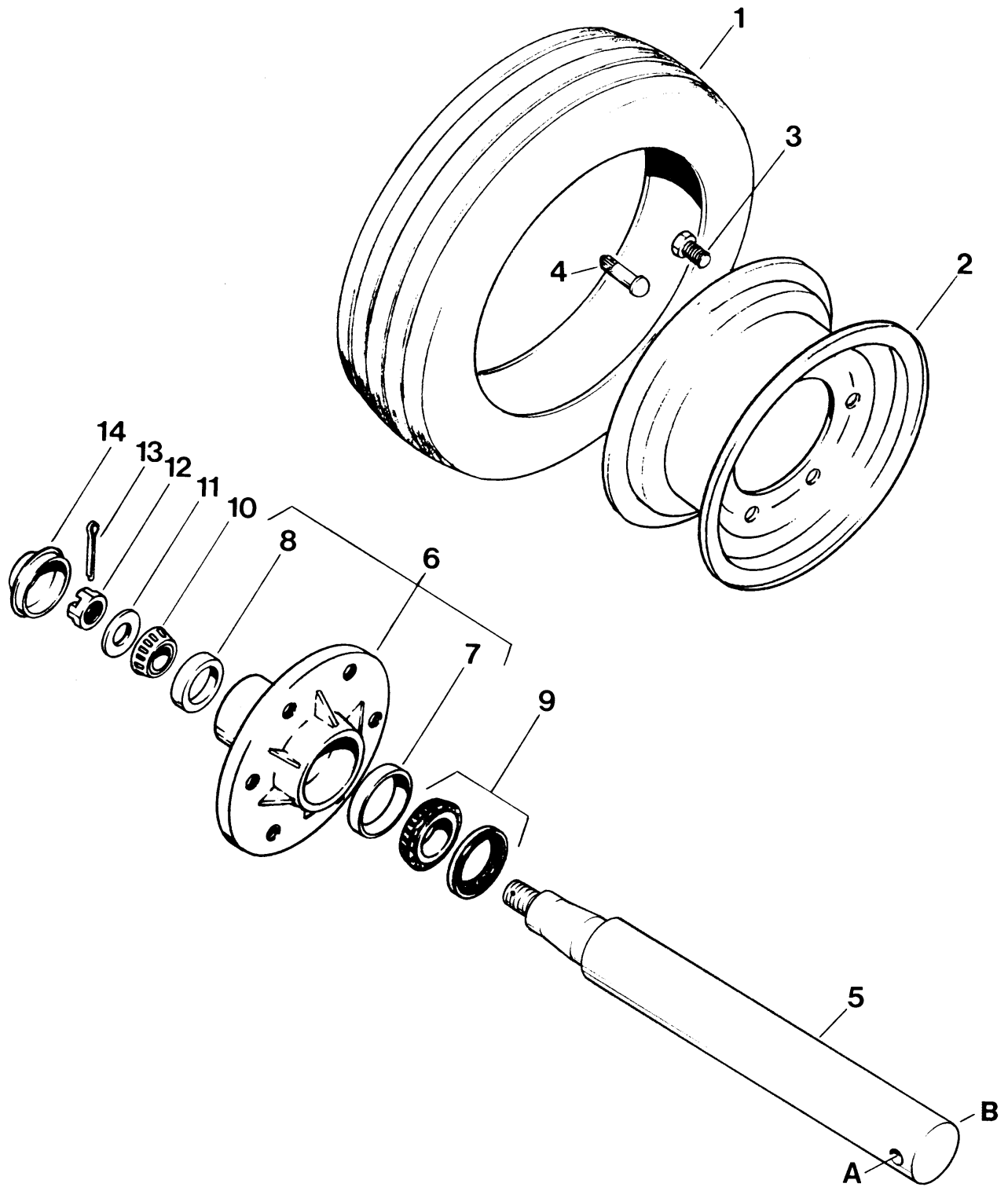
FLOAT AND LIFT GROUP



FLOAT AND LIFT GROUP

REF	PART NUMBER	DESCRIPTION	QTY	SERIAL NUMBER	
1	41090	ARM - with two bushings (item 2) & fitting (item 3)	2		
2	1134	BUSHING - bronze	8		
3	18671	FITTING - lube	4		
4	41098	SPACER - tube	2		
5	41102	ARM - float	2		
6	24408	PIN - float arm to cylinder mount	2		
7	41107	PIN - lift cylinder	4		
9	41881	STOP - lift cylinder	2		
10	19926	PIN - clevis	2		
11	13125	PIN - hair	2		
12	41114	BAR - float link	4		
13	11644	SPACER - tube	2		
14	41118	PIN - spring anchor	2		
15	41122	BOLT - float adjusting	2		
16	21540	WASHER - flat, hardened	2		
17	36837	PIVOT - float spring	2		
18	24322	INSERT - spring, rear right	1		
19	42690	SPRING - float, 3.75 inch OD, spring insert at front	2		
20	41127	ARM - lower link, (includes 2 of item 2, 1 of item 21, and 1 of item 3)	2		
21	21897	BUSHING - rubber	2		
23	44994	BOLT - float spring, 5/8 NC	2		
26	41405	INSERT - spring, upper, 5/8 NC thread	2		
27	41388	SPRING - float, 3 inch OD, spring insert at bottom	2		
29	41145	BAR - center link	1		
30	41150	ROD - adjusting, cutterbar angle	1		
31	8640	SPACER - tube	2		
32	REF	CYLINDER - lift, see "Steering & Lift Cylinder Hydraulics"			
33	40766	SPRING - float, 2 1/4 inch O.D., spring insert at front (left side only)	1		
35	24416	SPACER - tube	4		
36	30061	PIN - roll, 3/8 x 2 inch	2		
37	41244	PIN - straight	2		
38	41408	INSERT - spring, lower	2		
39	18620	PIN - clevis, 5/8 x 1 3/8 inch	2		
40	42691	INSERT - spring, front	2		
41	41358	INSERT - spring, rear, left	1		
42	41357	INSERT - spring, inner, left	1		
A	30387	BOLT - hex head, 3/4 NC x 6 1/2 inch	Q	18639	WASHER - lock, 5/8 inch
B	18640	WASHER - lock, 3/4 inch	R	18592	NUT - hex, 5/8 NC
C	18593	NUT - hex, 3/4 NC	S	19634	BOLT - hex head, 5/8 NC x 4 inch
D	20078	BOLT - hex head, 3/8 NC x 1 3/4 inch	T	21584	BOLT - hex head, 5/8 NC x 2 1/2 inch
E	18669	NUT - lock, 3/8 NC distorted thread	U	18600	WASHER - flat, 21/32 inch ID
F	19957	BOLT - hex head, 3/4 NC x 2 1/2 inch	V	21560	BOLT - hex head, 1/2 NC x 3 inch
G	21733	BOLT - hex head, 3/4 NC x 4 1/2 inch	W	18697	NUT - lock, 1/2 NC distorted thread
H	18601	WASHER - flat, 13/16 inch ID	X	18648	PIN - cotter, 3/16 x 1 1/4 inch
J	18689	NUT - lock, 3/4 NC distorted thread			
K	19965	BOLT - rnd. hd, sq. neck 3/8 NC x 1"			
L	18637	WASHER - lock, 3/8 inch			
M	18590	NUT - hex, 3/8 NC			
P	21562	BOLT - hex head, 5/8 NC x 5 inch			

WHEELS AND TIRES

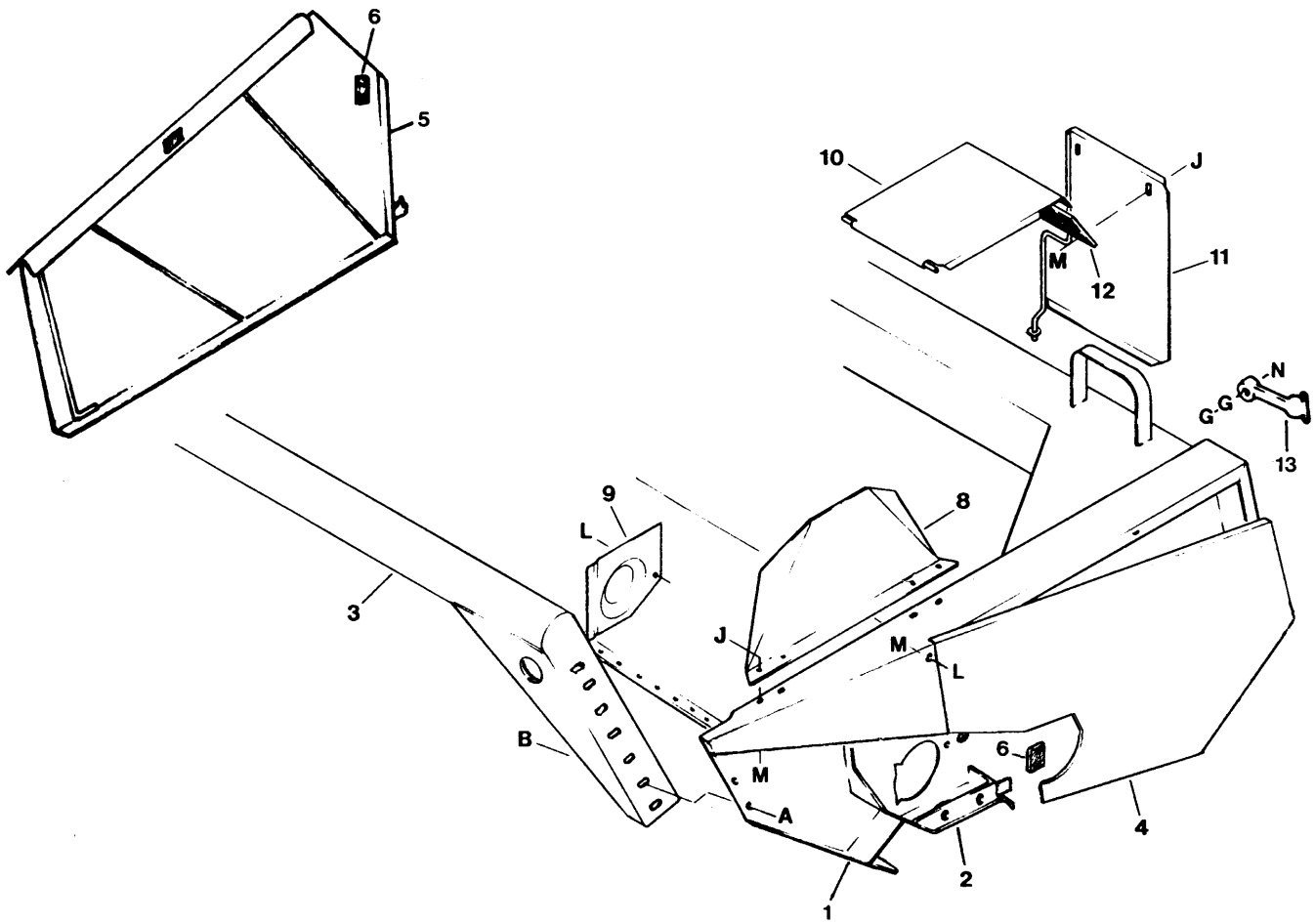


WHEELS AND TIRES

REF	PART NUMBER	DESCRIPTION	QTY	SERIAL NUMBER
1	30889	TIRE - 31 x 13.5-15 NHS 8 ply Terra-Rib.....	2	
2	30890	WHEEL - 15 x 10 LB	2	
3	18916	BOLT - wheel, 9/16 NF.....	12	
4	21153	STEM - valve	2	
5	41155	SPINDLE - wheel.....	2	
6	41982	HUB - with cups, items 7 and 8	2	
7	30516	BEARING - cup, inner	2	
8	7900	BEARING - cup, outer	2	
9	30517	BEARING - cone, with seal	2	
10	21376	BEARING - cone	2	
11	21540	WASHER - flat, hardened	2	
12	5512	NUT - hex slotted, 3/4 NF.....	2	
13	18648	PIN - cotter	2	
14	30520	CAP - dust	2	
A	30011	BOLT - hex head, 1/2 NC x 3 1/4 inch		
B	18697	NUT - lock, 1/2 NC distorted thread		

NOTE: A heavier duty hub and spindle assembly is available. An upgrade can be made to replace the above items 5 to 14 inclusive. See Model 5020 Parts Catalog 147007. The parts must be ordered as a group. Individual items are not interchangeable.

HEADER FRAME, DEFLECTOR & SHIELDS



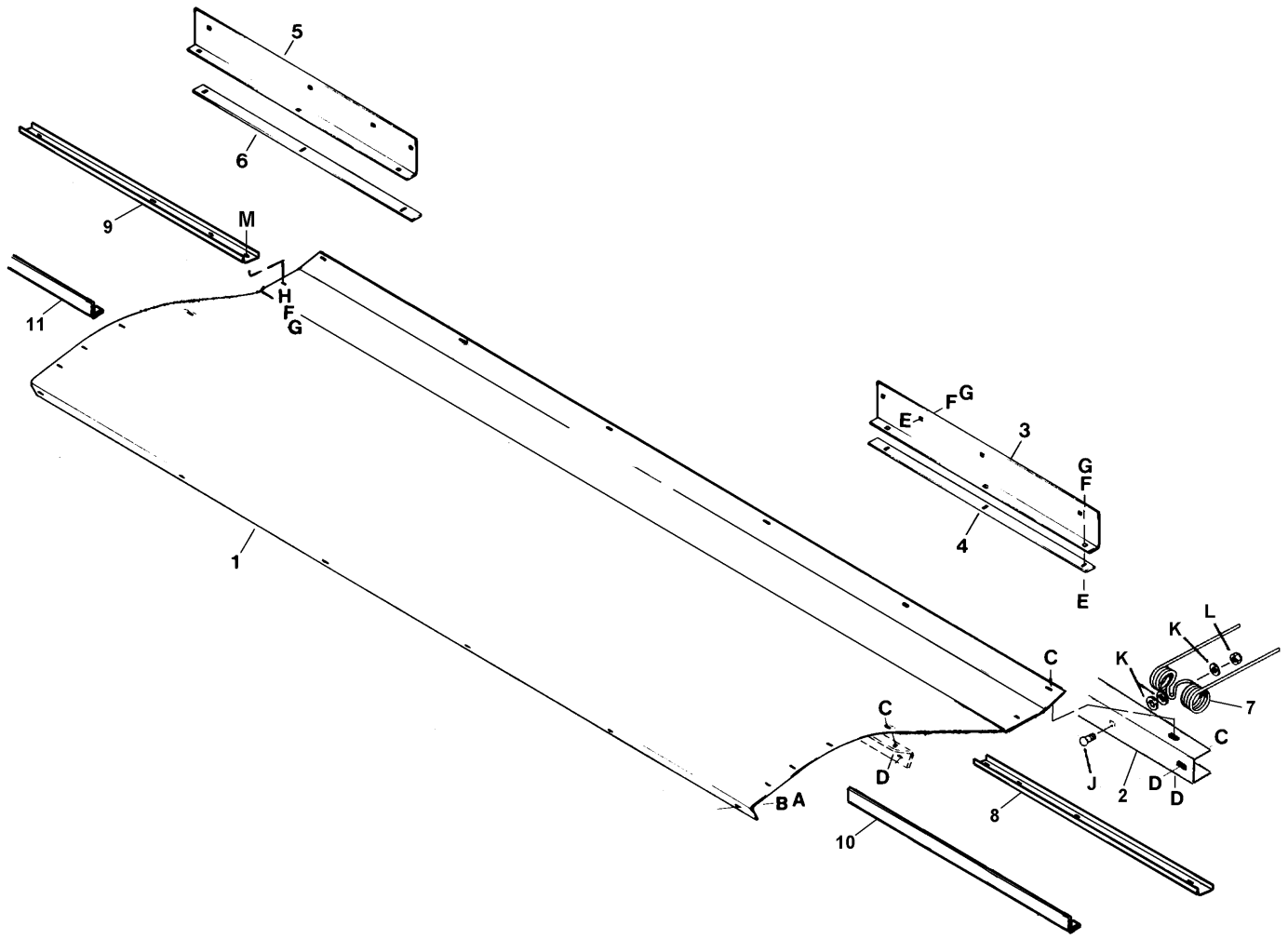
HEADER FRAME, DEFLECTOR & SHIELDS

REF	PART NUMBER	DESCRIPTION	QTY	SERIAL NUMBER
1	REF	HEADER - frame, not serviced.....	1	
2	115964	SUPPORT - sickle drive box, (welded) (was 115062).....	1	
		NOTE: Also required - 32926 Welding Jig - TO BE RETURNED		
3	115737	DEFLECTOR - lean bar, 12 ft. header	1	
	115738	DEFLECTOR - lean bar, 14 ft. header	1	
	115739	DEFLECTOR - lean bar, 16 ft. header	1	
4	115025	SHIELD - drives, left side, with seals and decals (see Note 1)	1	
5	41266	SHIELD - drives, right side, with seals and decals (see Note 1)	1	
6	25059	SEAL - sponge	7	
8	41528	SHIELD - reel, left side	1	
9	37367	SHIELD - sickle drive box	1	
10	41809	SHIELD - primary drive.....	1	
11	41813	SHIELD - roll drivelines	1	
12	41540	HINGE - rubber	1	
13	38894	LATCH - rubber	3	
A	21383	NUT - serrated flange lock, 1/2 NC		
B	21449	BOLT - hex flange head, 1/2 NC x 1 inch		
G	18590	NUT - hex, 3/8 NC		
J	21863	BOLT - round head, short square neck, 3/8 NC x 3/4 inch		
L	30693	BOLT - hex flange head, 3/8 NC x 1/2 inch		
M	30228	NUT - lock, flange head, 3/8 NC distorted thread		
N	50197	BOLT - round head, square neck, 3/8 x 1 3/4 inch		
	30035	BOLT - hex head, 3/8 NC x 2 3/4 inch - L/H front latch only		

NOTES:

(1) – Left and right side drive shields (items 4 and 5) do **not** include rainbow or product I.D. decals

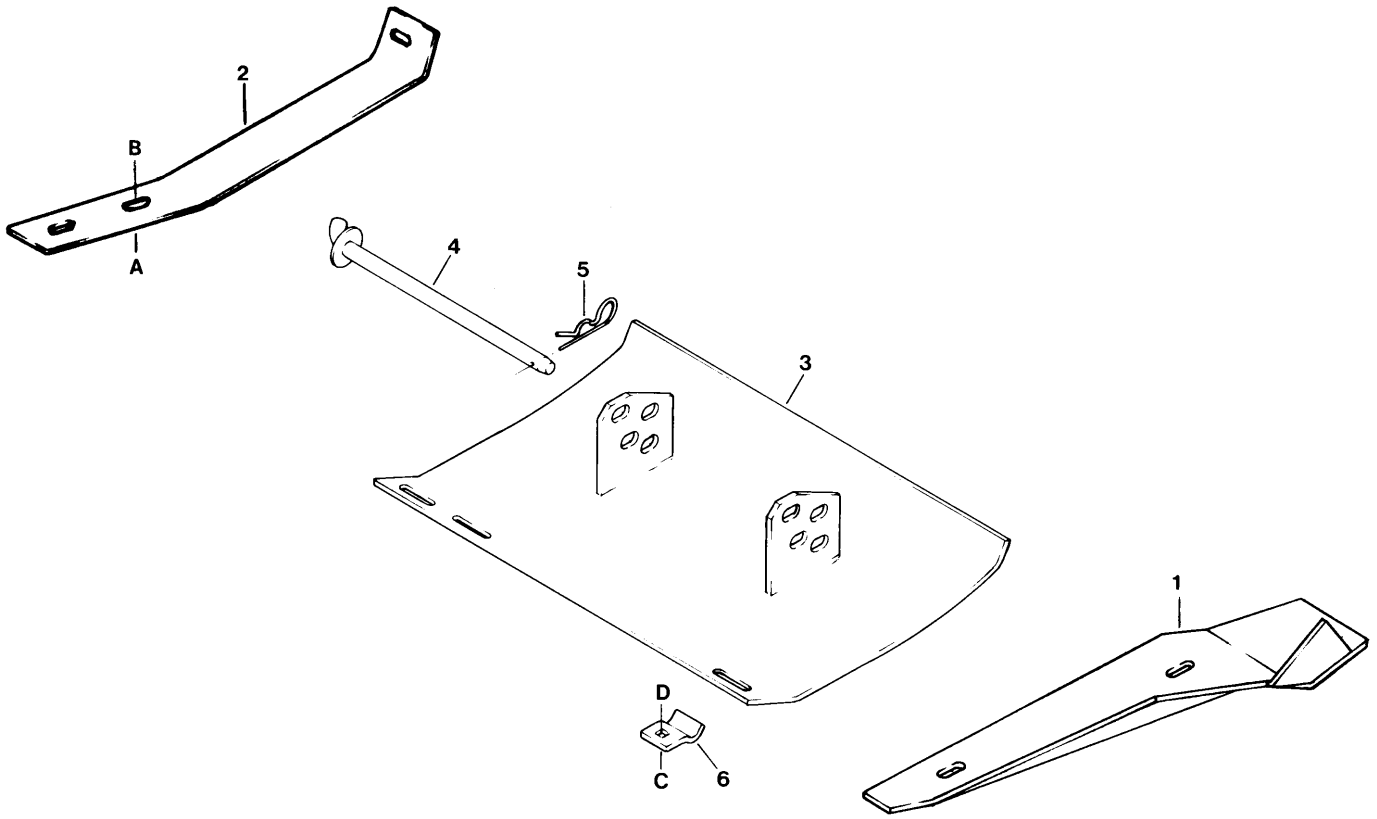
FEED PANS & STRIPPER BARS



FEED PANS & STRIPPER BARS

REF	PART NUMBER	DESCRIPTION	QTY	SERIAL NUMBER
1	115704	PAN - feed.....	1	
2	41420	CHANNEL - feed pan support.....	1	
3	115412	ANGLE - stripper, left rear - 12 ft. header.....	1	
	115413	ANGLE - stripper, left rear - 14 ft. header.....	1	
	115414	ANGLE - stripper, left rear - 16 ft. header.....	1	
4	41376	BAR - stripper, left rear - 12 ft. header	1	
	41377	BAR - stripper, left rear - 14 ft. header	1	
	41378	BAR - stripper, left rear - 16 ft. header	1	
5	115416	ANGLE - stripper, right rear - 12 ft. header	1	
	115417	ANGLE - stripper, right rear - 14 ft. header	1	
	115418	ANGLE - stripper, right rear - 16 ft. header	1	
6	41379	BAR - stripper, right rear - 12 ft. header	1	
	41380	BAR - stripper, right rear - 14 ft. header	1	
	41381	BAR - stripper, right rear - 16 ft. header	1	
7	47681	FINGER - steel.....	11	
8	115088	CHANNEL - stripper. left center - 12 ft. header	1	
	115089	CHANNEL - stripper. left center - 14 ft. header	1	
	115090	CHANNEL - stripper. left center - 16 ft. header	1	
9	115093	CHANNEL - stripper. right center - 12 ft. header	1	
	115094	CHANNEL - stripper. right center - 14 ft. header	1	
	115095	CHANNEL - stripper. right center - 16 ft. header	1	
10	115654	ANGLE - stripper, left front - 12 ft. header	1	
	115655	ANGLE - stripper, left front - 14 ft. header	1	
	115656	ANGLE - stripper, left front - 16 ft. header	1	
11	115658	ANGLE - stripper, right front - 12 ft. header	1	
	115659	ANGLE - stripper, right front - 14 ft. header	1	
	115660	ANGLE - stripper, right front - 16 ft. header	1	
A	21055	SCREW - self-tapping, 1/4 NC x 1/2 inch		
B	18596	WASHER - flat, 9/32 inch ID		
C	21863	BOLT - round head, square neck, 3/8 NC x 3/4 inch		
D	21452	NUT - serrated flange lock, 3/8 NC		
E	21281	BOLT - round head, square neck, 5/16 NC x 3/4 inch		
F	18636	WASHER - lock, 5/16 inch		
G	18589	NUT - hex, 5/16 NC		
H	18597	WASHER - flat, 11/32 inch ID		
J	19966	BOLT - round head, square neck, 3/8 NC x 1-1/4 inch		
K	18599	WASHER - flat, 17/32 inch I.D.		
L	30228	NUT - lock, smooth flange, 3/8 NC distorted thread		
M	21282	BOLT - round head, square neck, 5/16 NC x 1 inch		

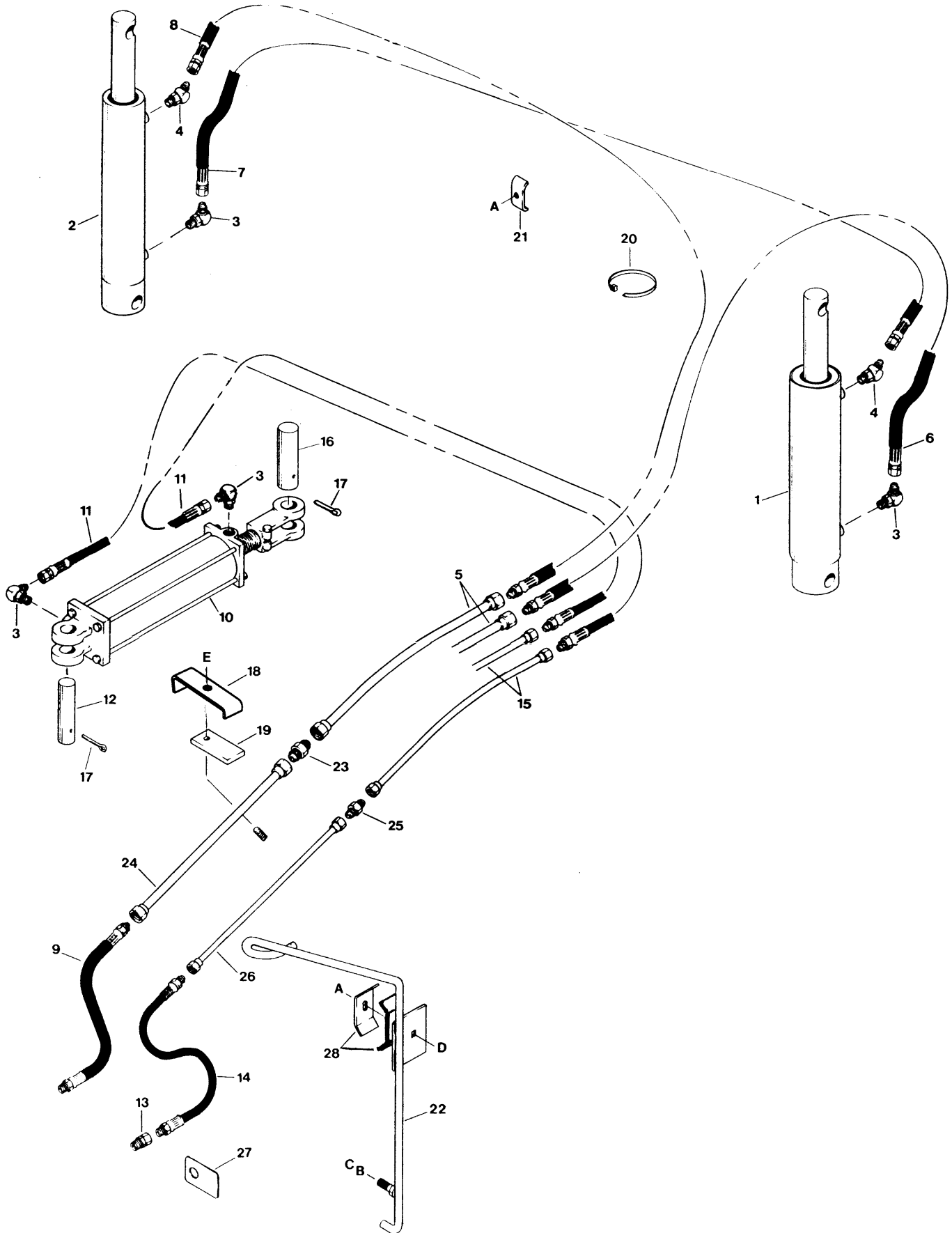
SKID SHOES



SKID SHOES

REF	PART NUMBER	DESCRIPTION	QTY	SERIAL NUMBER
1	47193	SHOE - skid, left.....	1	
2	41410	SHOE - skid, right.....	1	
3	41413	SHOE - skid, adjustable	2	
4	41417	ROD - skid shoe height adjustment	2	
5	13125	PIN - hair	2	
6	36627	SUPPORT - skid shoe, front	4	
	B 2149	KIT - skid shoes, adjustable (Contains two shoes 41413, complete with rods, pins, supports and hardware. Available through WholeGoods only.)		
A	19965	BOLT - round head square neck, 3/8 NC x 1 inch		
B	21452	NUT - serrated flange lock, 3/8 NC		
C	21468	BOLT - round head square neck, 7/16 NC x 1 3/4 inch		
D	18654	NUT - hex, 7/16 NC		

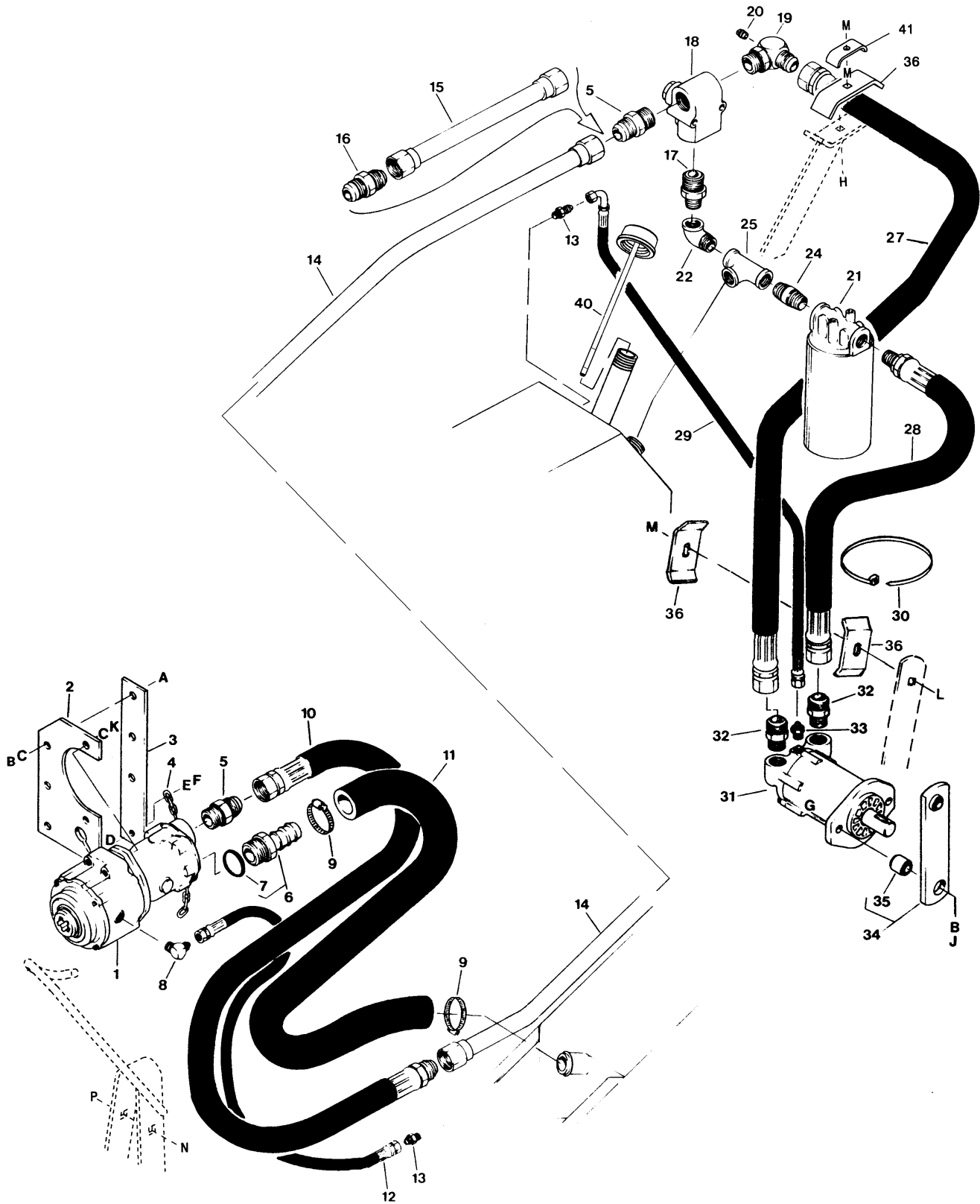
STEERING & LIFT CYLINDER HYDRAULICS



STEERING & LIFT CYLINDER HYDRAULICS

REF	PART NUMBER	DESCRIPTION	QTY	SERIAL NUMBER
1	41870	CYLINDER - lift, left side (master, 3.0" bore)	1	
	42125	SEAL KIT - for cylinder 41870	1	
2	41871	CYLINDER - lift, right side (slave, 2.5" bore).....	1	
	42126	SEAL KIT - for cylinder 41871 (2.5" bore)	1	
3	30282	FITTING - 90° elbow, 9/16 O-ring x 3/8 inch tube	4	
4	30284	FITTING - 45° elbow, 9/16 O-ring x 3/8 inch tube	2	
5	41907	LINE - hydraulic, lift, rear section - 12 ft. header	2	
	41908	LINE - hydraulic, lift, rear section - 14 ft. header	2	
	41909	LINE - hydraulic, lift, rear section - 16 ft. header	2	
6	41868	HOSE - line to left cylinder, 12 ft. header	1	
	41864	HOSE - line to left cylinder, 14 ft. header	1	
	41865	HOSE - line to left cylinder, 16 ft. header	1	
7	41860	HOSE - left to right cylinder, 12 ft. header.....	1	
	41861	HOSE - left to right cylinder, 14 ft. header.....	1	
	41862	HOSE - left to right cylinder, 16 ft. header.....	1	
8	41866	HOSE - right cylinder to line, 12 ft. header	1	
	41867	HOSE - right cylinder to line, 14 ft. header	1	
	41863	HOSE - right cylinder to line, 16 ft. header	1	
9	41859	HOSE - lift line to tractor.....	2	
10	41872	CYLINDER - steering	1	
	50165	SEAL KIT - for steering cylinder	1	
11	36845	HOSE - line to steering cylinder	2	
12	41707	PIN - steering cylinder, barrel end.....	1	
13	30301	RESTRICTOR - fitting, 0.078 inch diameter orifice.....	1	
14	36888	HOSE - to tractor.....	2	
15	41904	LINE - hydraulic, steering, rear section - 12 ft. header	2	
	41905	LINE - hydraulic, steering, rear section - 14 ft. header	2	
	41906	LINE - hydraulic, steering, rear section - 16 ft. header	2	
16	41708	PIN - steering cylinder, rod end	1	
17	18607	PIN - cotter, 5/32 x 1 1/2 inch.....	2	
18	100001	HOLDER - hydraulic line (quantity 4 for 12' header)	5	
19	36811	PAD - rubber (quantity 4 for 12' header)	5	
20	21763	FASTENER - plastic tie	6	
21	32225	HOLDER - hose (quantity 9 for 12' header)	11	
22	115705	GUIDE - hose	1	
23	30846	FITTING - union, 1/2 inch tube.....	2	
24	41909	LINE - hydraulic, lift, front section.....	2	
25	30375	FITTING - union, 3/8 inch tube.....	2	
26	41906	LINE - hydraulic, steering, front section	2	
27	41579	TAG - "Hitch Left"	1	
	41580	TAG - "Hitch Right"	1	
	41581	TAG - "Raise Header"	1	
	41582	TAG - "Lower Header"	1	
28	24051	HOLDER - hose	2	
A	30228	NUT - lock, flange head, 3/8 NC distorted thread		
B	18638	WASHER - lock, 1/2 inch		
C	18591	NUT - hex, 1/2 NC		
D	30307	BOLT - round head, square neck, 3/8 NC x 3 inch		
E	18697	NUT - lock, 1/2 NC distorted thread		

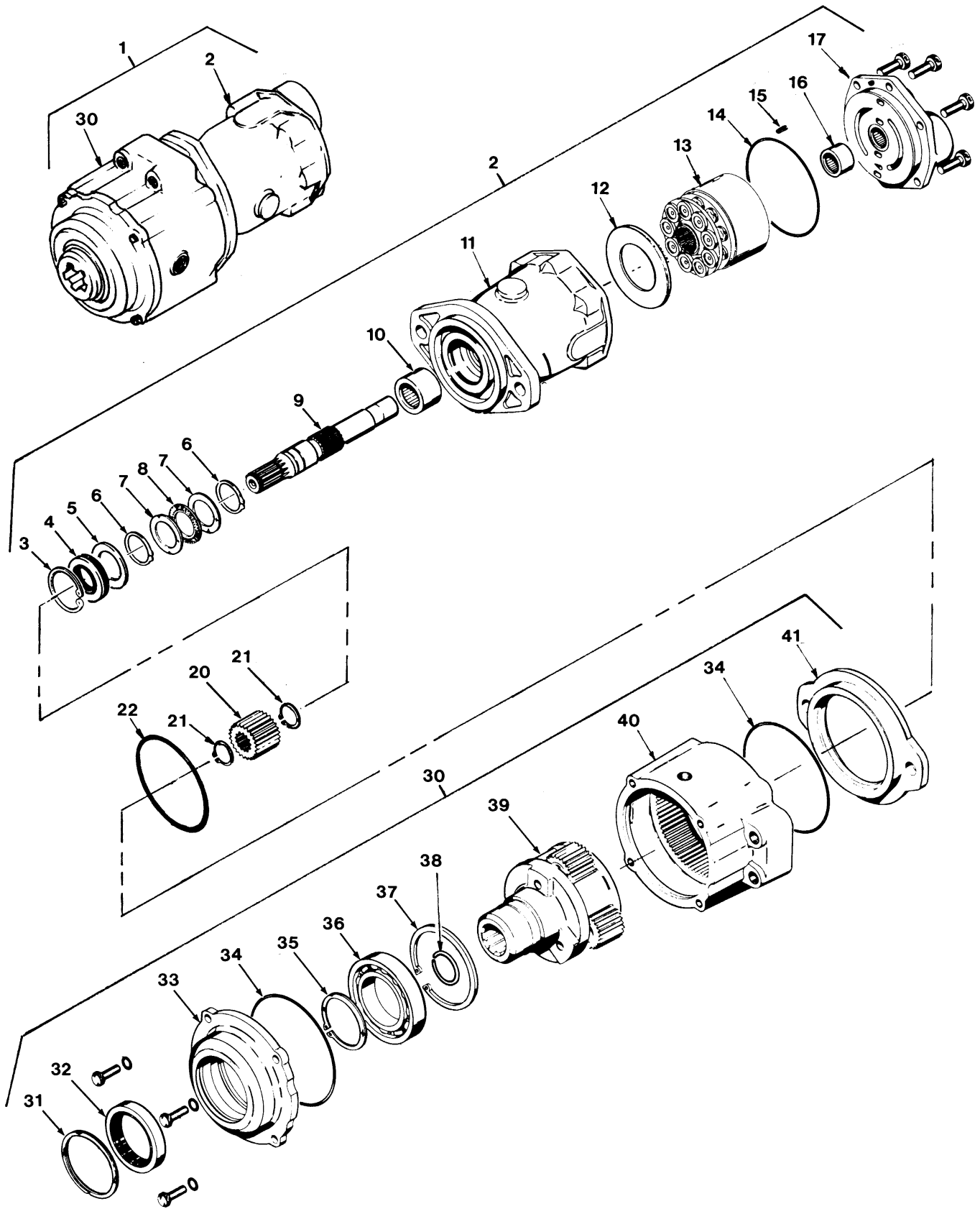
HEADER DRIVE HYDRAULICS



HEADER DRIVE HYDRAULICS

REF	PART NUMBER	DESCRIPTION	QTY	SERIAL NUMBER	
1	REF	PUMP/GEARBOX ASSEMBLY - see page 18.....	1		
2	41543	PLATE - pump.....	1		
3	41545	ARM - torque.....	1		
4	36880	CHAIN - 21 link.....	1		
5	21828	FITTING - adapter, 1 5/16 O-ring x 1 inch tube.....	2		
6	30910	FITTING - barbed, includes item 7, 1 5/8 O-ring x 1 1/4 ID hose.....	1		
7	30911	O-RING - for barbed fitting (30910).....	1		
8	30927	FITTING - elbow, 9/16 O-ring x 1/4 inch tube.....	1		
9	17958	CLAMP - hose.....	2		
10	24042	HOSE - pressure, pump to line.....	1		
11	36842	HOSE - suction, reservoir to pump.....	1		
12	36868	HOSE - pump case drain.....	1		
13	21884	FITTING - adapter, 3/8 NPT x 1/4 inch tube.....	2		
14	41900	LINE - hydraulic, front section.....	1		
15	41901	LINE - hydraulic, rear section - 12 ft. header.....	1		
	41902	LINE - hydraulic, rear section - 14 ft. header.....	1		
	41903	LINE - hydraulic, rear section - 16 ft. header.....	1		
16	30968	FITTING - union, 1 inch tube.....	1		
17	30893	FITTING - adapter, 1 5/16 O-ring x 1 inch NPT.....	1		
18	36912	VALVE - relief, complete - 4000 psi.....	1		
	36913	CARTRIDGE - replacement, 4000 psi.....	1		
	36853	SEAL KIT - for relief valve 36912.....	1		
19	41663	FITTING - elbow, 1 5/16 O-ring x 1 inch tube, tapped.....	1		
20	6007	PLUG - pipe, 1/4 NPT.....	1		
21	30895	ELEMENT - hydraulic oil filter.....	1		
	30894	FILTER HEAD WITH ELEMENT - includes 30895.....	1		
22	21819	FITTING - street elbow, 1 inch NPT.....	1		
24	21193	FITTING - nipple, 1 inch NPT.....	1		
25	30891	FITTING - tee, 1 inch NPT.....	1		
27	36841	HOSE - pressure, relief valve to motor.....	1		
28	36840	HOSE - return, motor to tee.....	1		
29	36844	HOSE - motor case drain.....	1		
30	30753	FASTENER - plastic tie.....	AR		
31	36855	MOTOR - hydraulic.....	1		
	36856	SEAL KIT - for hydraulic motor.....	1		
32	21840	FITTING - adapter, 1 1/16 O-ring x 1 inch tube.....	2		
33	16227	FITTING - adapter, 9/16 O-ring x 1/4 inch tube.....	1		
34	41817	BAR - with bushings.....	1		
35	21810	BUSHING - rubber.....	2		
36	24051	HOLDER - hose.....	3		
40	115701	INDICATOR - oil level.....	1		
41	32225	HOLDER - hose.....	1		
A	21491	BOLT - hex head, 1/2 NC x 1 1/4 in.	L	30307	BOLT - round head, square neck, 3/8 NC x 3 in
B	18591	NUT - hex, 1/2 NC	M	30228	NUT - lock, smooth flange, 3/8 NC distorted thd.
C	18638	WASHER - lock, 1/2 inch	N	30849	BOLT - round hd. square nk. 1/2 NC x 3 1/2 inch
D	20077	BOLT - hex head, 3/8 NC x 1 inch	P	50186	NUT - lock, smooth flange, 1/2 NC distorted thd.
E	18598	WASHER - flat, 13/32 inch ID			
F	18669	NUT - lock, 3/8 NC distorted thread			
G	21760	BOLT - hex head, 1/2 NC x 2 1/2 inch			
H	18759	BOLT - hex hd. 3/8 NC x 3 1/2" thd. full			
J	18697	NUT - lock, 1/2 NC distorted thread			
K	21565	BOLT - hex head, 1/2 NC x 1 3/4 inch			

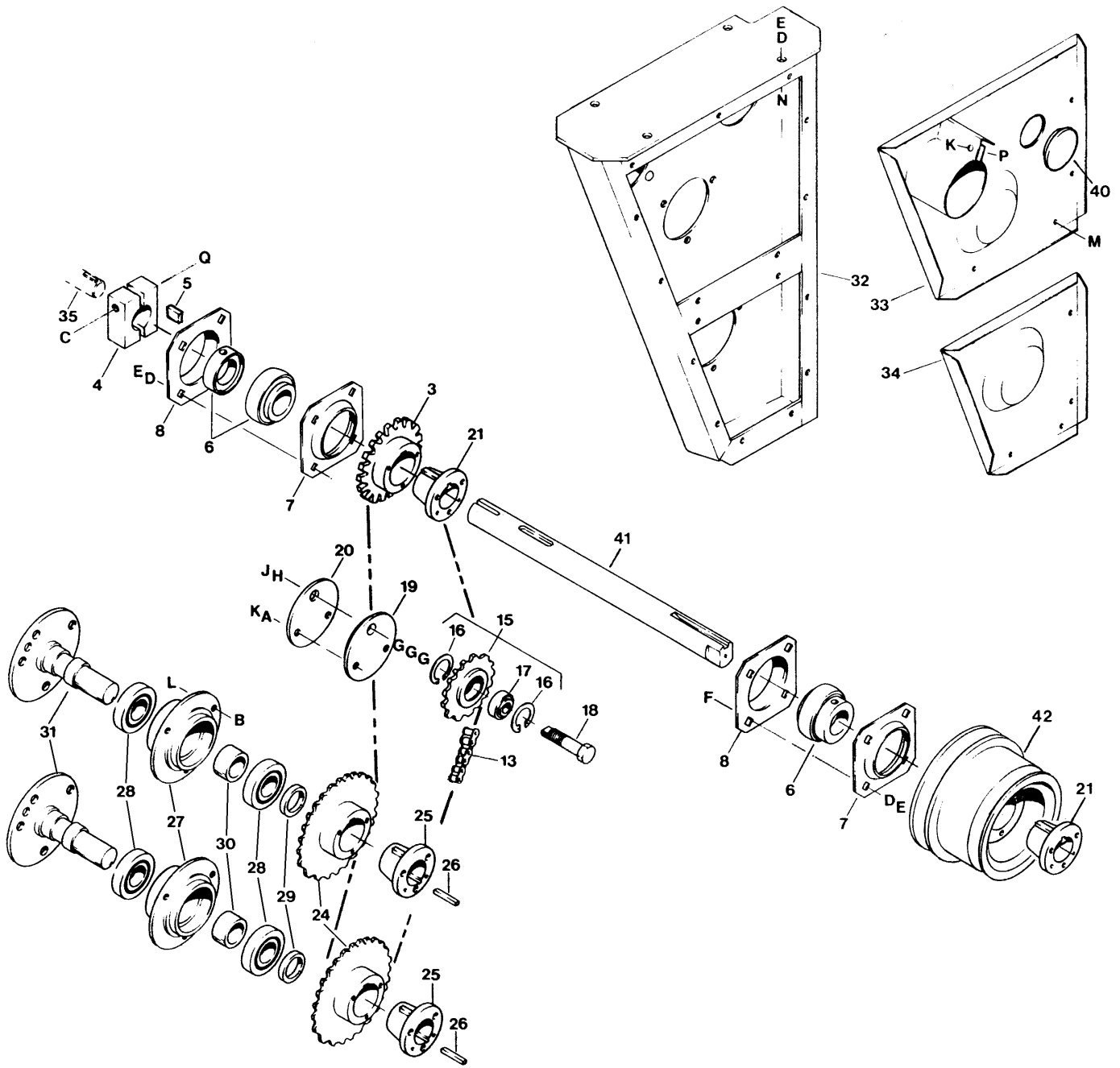
PUMP/GEARBOX ASSEMBLY



PUMP/GEARBOX ASSEMBLY

REF	PART NUMBER	DESCRIPTION	QTY	SERIAL NUMBER
1	36909	PUMP/GEARBOX ASS'Y. - 540 RPM, incl. items 2, 20 to 22, and 30.....	1	
	36859	PUMP/GEARBOX ASS'Y. - 1000 RPM, incl. items 2, 20 to 22, and 30.....	1	
<u>PISTON PUMP COMPONENTS</u>				
2	36882	PUMP - piston, 540 RPM - includes items 3 to 17	1	
	36891	PUMP - piston, 1000 RPM - includes items 3 to 17	1	
3	18900 *	RING - retaining, outer	1	
4	30046 *	SEAL - shaft	1	
5		WASHER - flat, 1 19/32 x 2 x 5/64 inch	1	
6	30144 *	RING - retaining	2	
7	30140	BEARING RACE - thrust	2	
8	30141	BEARING - thrust	1	
9		SHAFT - drive	1	
10	21420	BEARING - needle, housing	1	
11		HOUSING ASSEMBLY 540 RPM (2.77 cu.in./rev. displacement)	1	
		HOUSING ASSEMBLY 1000 RPM (2.01 cu.in./rev. displacement)	1	
12		INSERT - cam plate	1	
13		ROTATING ASSEMBLY	1	
14	30045 *	O-RING - housing to back plate	1	
15		ROLL PIN	1	
16		BEARING - needle, back plate (Torrington B-1412)	1	
17		BACK PLATE ASSEMBLY	1	
*	30247	SEAL KIT - for piston pump, includes items marked *		
<u>CONNECTING COMPONENTS</u>				
20	50099	SUN GEAR - 540 RPM, pump to gear box connection	1	
	50100	SUN GEAR - 1000 RPM, pump to gear box connection	1	
21	5924	RING - retaining, sun gear	2	
22	30045	O-RING - pump to gear box connection	1	
<u>GEARBOX COMPONENTS</u>				
30	36883	GEARBOX - 540 RPM - includes items 31 to 41	1	
	36892	GEARBOX - 1000 RPM - includes items 31 to 41	1	
31	+	RING - retaining, internal 3 inch	1	
32	+	SEAL - shaft	1	
33		PLATE - front	1	
34	+	O-RING - housing to front plate and housing to adapter plate	2	
35	+	RING - retaining, external 2 5/32 inch	1	
36	50208	BEARING - carrier	1	
37	+	RING - retaining, internal 3 9/16 inch	1	
38	+	RING - lock	1	
39	36942	CARRIER ASSEMBLY - 540 RPM	1	
	36943	CARRIER ASSEMBLY - 1000 RPM	1	
40		HOUSING	1	
41		PLATE - adapter	1	
+	36854	SEAL KIT - for gearbox, includes items marked +		

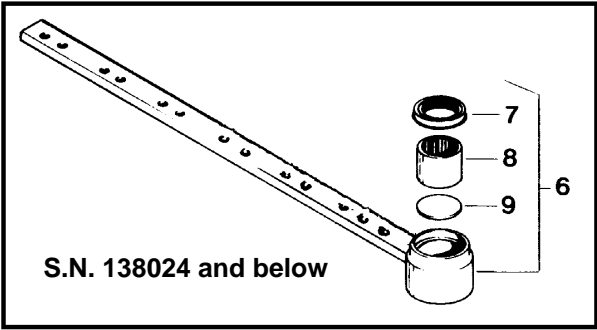
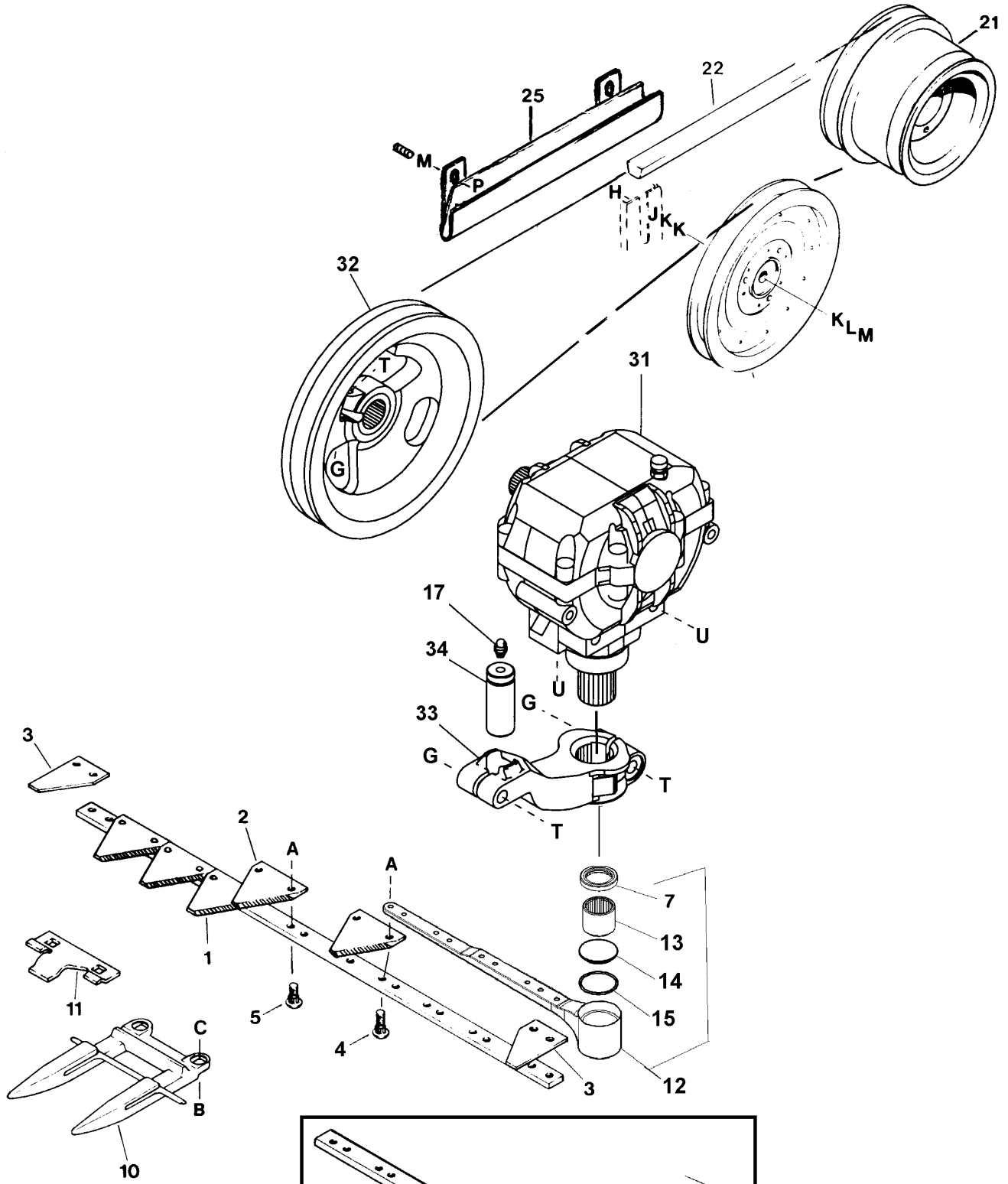
HEADER PRIMARY DRIVE



HEADER PRIMARY DRIVE

REF	PART NUMBER	DESCRIPTION	QTY	SERIAL NUMBER
3	19117	SPROCKET - driver, rolls.....	1	
4	36819	CLAMP HALF - drive shaft to motor shaft.....	2	
5	115698	KEY - 1/4 x 1/2 x 13/16 inch.....	1	
6	30031	BEARING - ball, with lock collar.....	2	
7	30576	FLANGE - bearing.....	2	
8	41034	FLANGE - bearing, with lube fitting.....	2	
13	41806	CHAIN - roller, roll drive, #60H x 85 pitches plus connector link..... (Use Genuine MacDon part only.)	1	
15	9333	SPROCKET ASSEMBLY - idler, includes items 16 & 17.....	1	
16	795	RING - retaining, internal.....	2	
17	9213	BEARING - ball.....	1	
18	41454	BOLT - special.....	1	
19	41455	DISC - inner, chain tightener.....	1	
20	41456	DISC - outer, chain tightener.....	1	
21	30256	BUSHING - split taper, with outer/inner key.....	2	
24	28496	SPROCKET - roll drive.....	2	
25	21934	BUSHING - split taper, with outer key.....	2	
26	26846	KEY - 5/16 square x 1-1/2 inch.....	2	
27	41844	HUB - bearing.....	2	
28	14911	BEARING - ball.....	4	
29	41841	BUSHING - steel.....	2	
30	41850	SPACER.....	2	
31	41800	SHAFT - roll drive.....	2	
32	41830	HOUSING - drive.....	1	
33	41824	COVER - upper.....	1	
34	41821	COVER - lower.....	1	
35	REF	MOTOR - hydraulic, see "Header Drive Hydraulics".....	1	
40	18766	PLUG - plastic.....	1	
41	41992	SHAFT - drive, 12 ft. header.....	1	
	41993	SHAFT - drive, 14 ft. header.....	1	
	41994	SHAFT - drive, 16 ft. header.....	1	
42	41924	PULLEY - driver, auger and sickle.....	1	
A	18637	WASHER - lock, 3/8 inch		
B	20077	BOLT - hex head, 3/8 NC x 1 inch		
C	30011	BOLT - hex head, 1/2 NC x 3 1/4 inch		
D	18638	WASHER - lock, 1/2 inch		
E	18591	NUT - hex, 1/2 NC		
F	21575	BOLT - hex head, 1/2 NC x 1 inch		
G	18600	WASHER - flat, 21/32 inch ID		
H	18639	WASHER - lock, 5/8 inch		
J	18592	NUT - hex, 5/8 NC		
K	21567	BOLT - hex head, 3/8 NC x 3/4 inch		
L	21452	NUT - serrated flange, 3/8 NC		
M	21055	SCREW - self tapping, 1/4 NC x 1/2 inch		
N	21491	BOLT - hex head, 1/2 NC x 1 1/4 inch		
P	18669	NUT - lock, 3/8 NC distorted thread		
Q	18697	NUT - lock, 1/2 NC distorted thread		

SICKLE AND BELT DRIVE



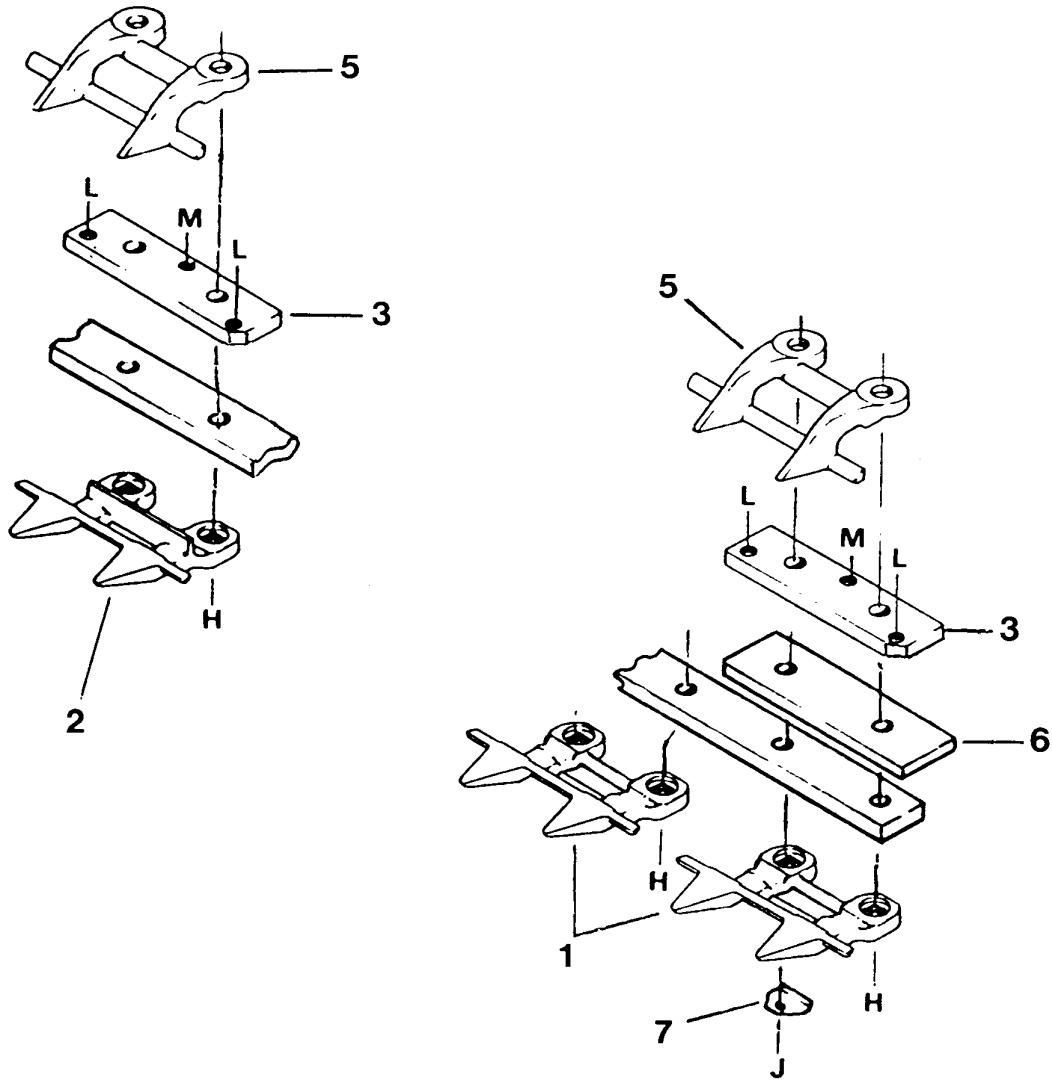
SICKLE AND BELT DRIVE

REF	PART NUMBER	DESCRIPTION	QTY	SERIAL NUMBER
1	34181	SICKLE ASSEMBLY - bolted sections, less head, 12 ft. (see note 5)	1	
	34182	SICKLE ASSEMBLY - bolted sections, less head, 14 ft. (see note 5)	1	
	34183	SICKLE ASSEMBLY - bolted sections, less head, 16 ft. (see note 5)	1	
2	34390	SECTION - sickle, over-serrated.....	see note (1)	
3	34391	SECTION - half, left and right end.....	2	
4	30668	SCREW - button head, ribbed neck #12 NC x 1" (qty. 13 S.N. -138024)....	9	
5	30696	SCREW - button head, ribbed neck #12 NC x 5/8 inch	see note (2)	
6	115083	HEAD - sickle, includes items 7, 8 & 9.....	1	-138024
7	113222	SEAL - sickle head (install with lip facing outwards)	1	
8	30607	BEARING - needle, sickle head	1	-138024
9	34389	PLUG - sickle head	1	-138024
10	28014	SPECIAL SICKLE GUARD - first two at left end only.....	2	
	28013	SICKLE GUARD - used at all other positions.....	see note (3)	
11	28815	GUIDE - sickle.....	see note (4)	
12	115321	HEAD – sickle, includes items 7, 13, 14 & 15.....	1	138025-
13	100500	BEARING – needle, sickle head	1	138025-
14	113937	PLUG – sickle head	1	138025-
15	115670	O-RING – sickle head	1	138025-
17	21194	FITTING - lube, 90°	1	
19	21862	PULLEY - idler, back-side	1	
21	REF	PULLEY - driver, see "Header Primary Drive", page 21.....	1	
22	9530	BELT - sickle drive	1	
25	41424	GUIDE - belt	1	
31	REF	DRIVE – sickle, see "Sickle Drive", page 27	1	
32	47832	PULLEY - driven.....	1	
33	113698	ARM – output (was 100421).....	1	
34	113229	PIN – sickle head	1	
A	30669	NUT - lock, #12 NC distorted thread		
B	21468	BOLT - round head square neck, 7/16 NC x 1 3/4 inch - thru guard, guide & shoe support		
	8218	BOLT - round head square neck, 7/16 NC x 1 1/2 inch - thru guard & guide		
C	18654	NUT - hex, 7/16 NC		
G	18666	NUT - lock, 5/8 NC distorted thread		
H	30027	BOLT - round head square neck, 1/2 NC x 2 1/4 inch		
J	18600	WASHER - flat, 21/32 inch ID		
K	18599	WASHER - flat, 17/32 inch ID - use as required for idler alignment		
L	18638	WASHER - lock, 1/2 inch		
M	18591	NUT - hex, 1/2 NC		
P	21383	NUT - serrated flange lock, 1/2 NC		
T	21583	BOLT – hex head, 5/8 NC x 3 inch		
U	100233	BOLT – hex head, 5/8 NC x 1 1/2 inch		

NOTES:

- (1) - Quantities: 12 ft = 49, 14 ft = 57, 16 ft = 65
(2) - Quantities: 12 ft = 93, 14 ft = 109, 16 ft = 125 (quantity 4 less for S.N. 138024 and below)
(3) - Quantities: 12 ft = 23, 14 ft = 27, 16 ft = 31
(4) - Quantities: 12 ft = 22, 14 ft = 26, 16 ft = 30

SICKLE STUB GUARDS (OPTION)



SICKLE STUB GUARDS (OPTION)

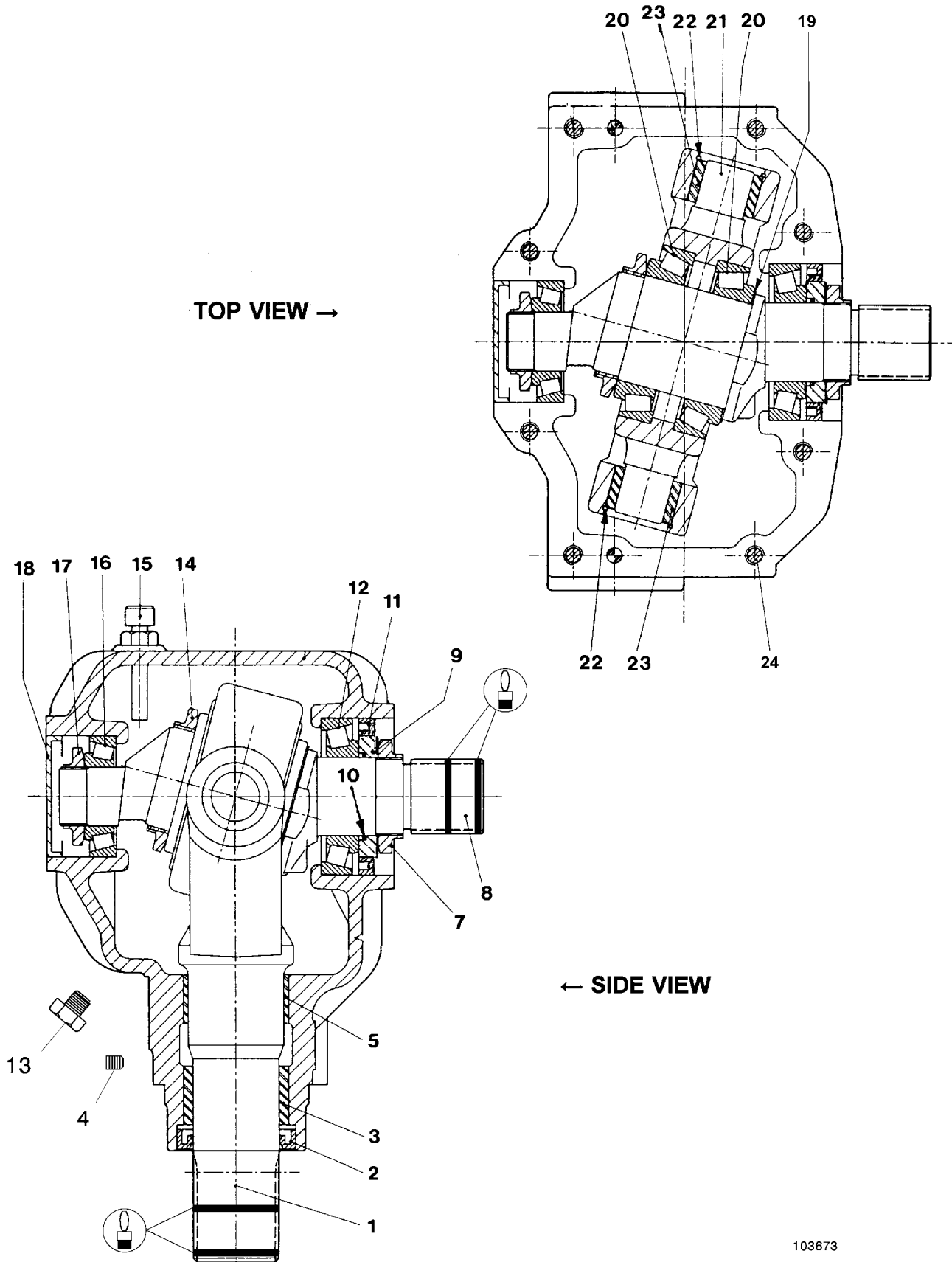
REF	PART NUMBER	DESCRIPTION	QTY	SERIAL NUMBER
	B 2515	STUB GUARD CONVERSION KIT - 12' Header, complete		
	B 2516	STUB GUARD CONVERSION KIT - 14' Header, complete		
	B 2517	STUB GUARD CONVERSION KIT - 16' Header, complete		
1	34975	SPECIAL END GUARD - no trash bar, first two positions at L/H end	2	
2	34974	GUARD - stub	see note (1)	
3	34980	BAR - adjuster	see note (2)	
5	34359	GUIDE - sickle	see note (2)	
6	47324	BAR - spacer	1	
7	REF	CLIP - skid shoe front support		
H	30862	BOLT - round head, square neck, 7/16 NC x 2 1/2 inch (used at all guards except at skid shoe clips)		
J	21665	BOLT - round head, square neck, 7/16 NC x 2 3/4 inch (used at skid shoe clips)		
L	50119	BOLT - hex head, 3/8 NC x 3/4 inch, stainless steel		
M	50120	BOLT - hex head, 3/8 NC x 1 inch, stainless steel		

NOTES:

(1) - Quantities: 12' = 23, 14' = 27, 16' = 31

(2) - Quantities: 12' = 25, 14' = 29, 18' = 33

SICKLE DRIVE BOX



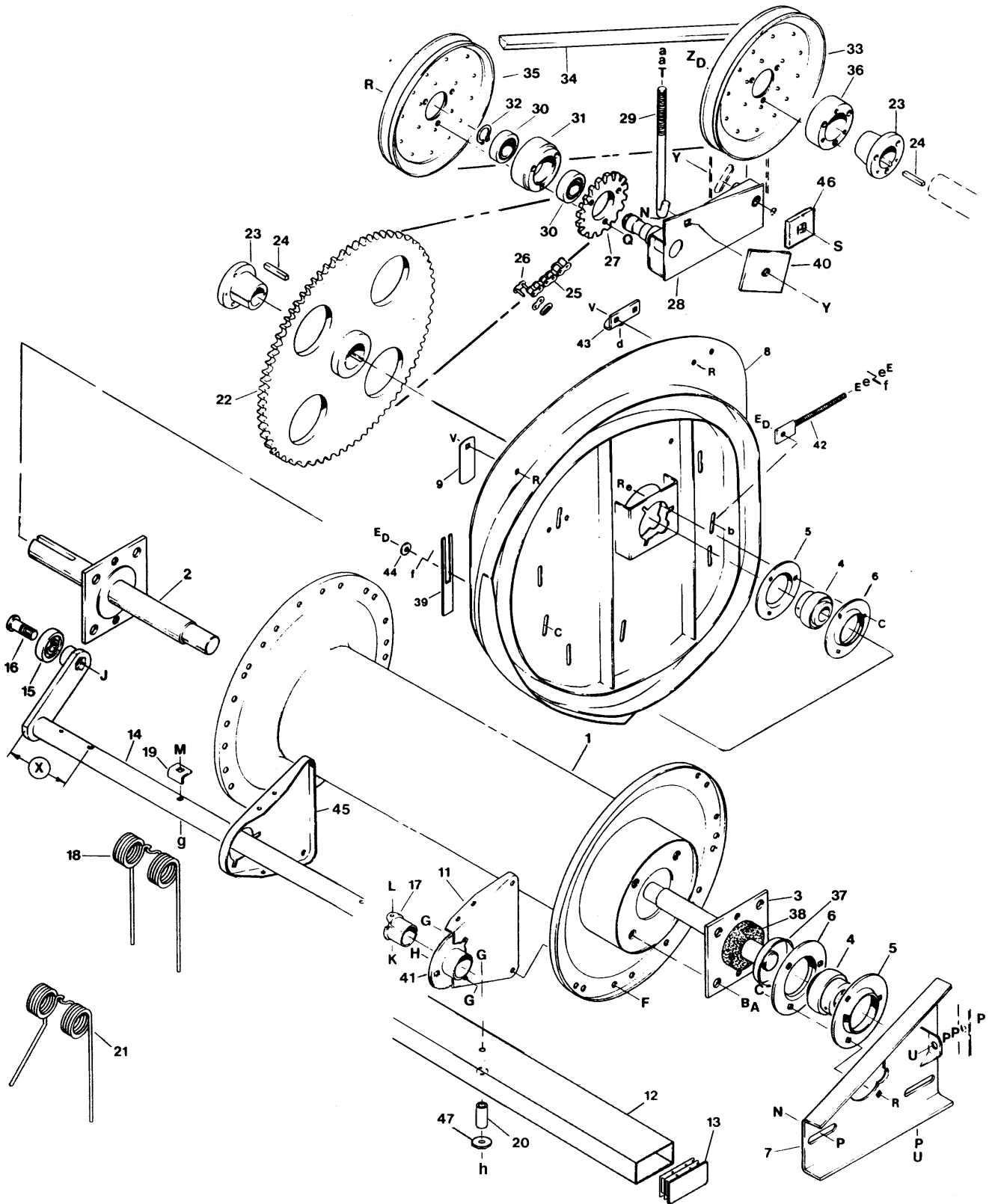
SICKLE DRIVE BOX

REF	PART NUMBER	DESCRIPTION	QTY	SERIAL NUMBER
	100532	DRIVE - sickle, complete.....	1	
1	100706	YOKE - output	1	
2	100707	SEAL - oil, output shaft.....	1	
3	100708	BUSHING - bronze	1	
4	103565	PLUG - hex socket	2	
5	100726	BUSHING - steel	1	
7	100709	NUT - special.....	1	
8	100710	SHAFT - input.....	1	
9	102629	SPACER - 60 mm O.D.	1	
10	100712	O-RING	1	
11	102630	SEAL - oil, input shaft, 60 mm I.D.	1	
12	100714	BEARING ASSEMBLY - cup & cone.....	1	
13	103096	PLUG - oil drain	2	
14	100715	NUT - lock, M55 x 2.....	1	
15	100716	BREATHER PLUG - with dipstick	1	
16	100717	BEARING ASSEMBLY - cup & cone.....	1	
17	100718	NUT - lock, M30 x 1.5.....	1	
18	100719	CAP - dust	1	
19	113152	SHIM - input shaft.....	1	
20	100720	BEARING ASSEMBLY - cup & cone.....	2	
21	100721	PIVOT.....	1	
22	100722	RING - retaining, internal.....	2	
23	100723	BUSHING - bronze	2	
24	113153	BOLT - socket head, M10 x 50 mm.....	8	



REF Apply Loctite 243 adhesive or equivalent to splines before assembly

REEL & DRIVE



REEL & DRIVE

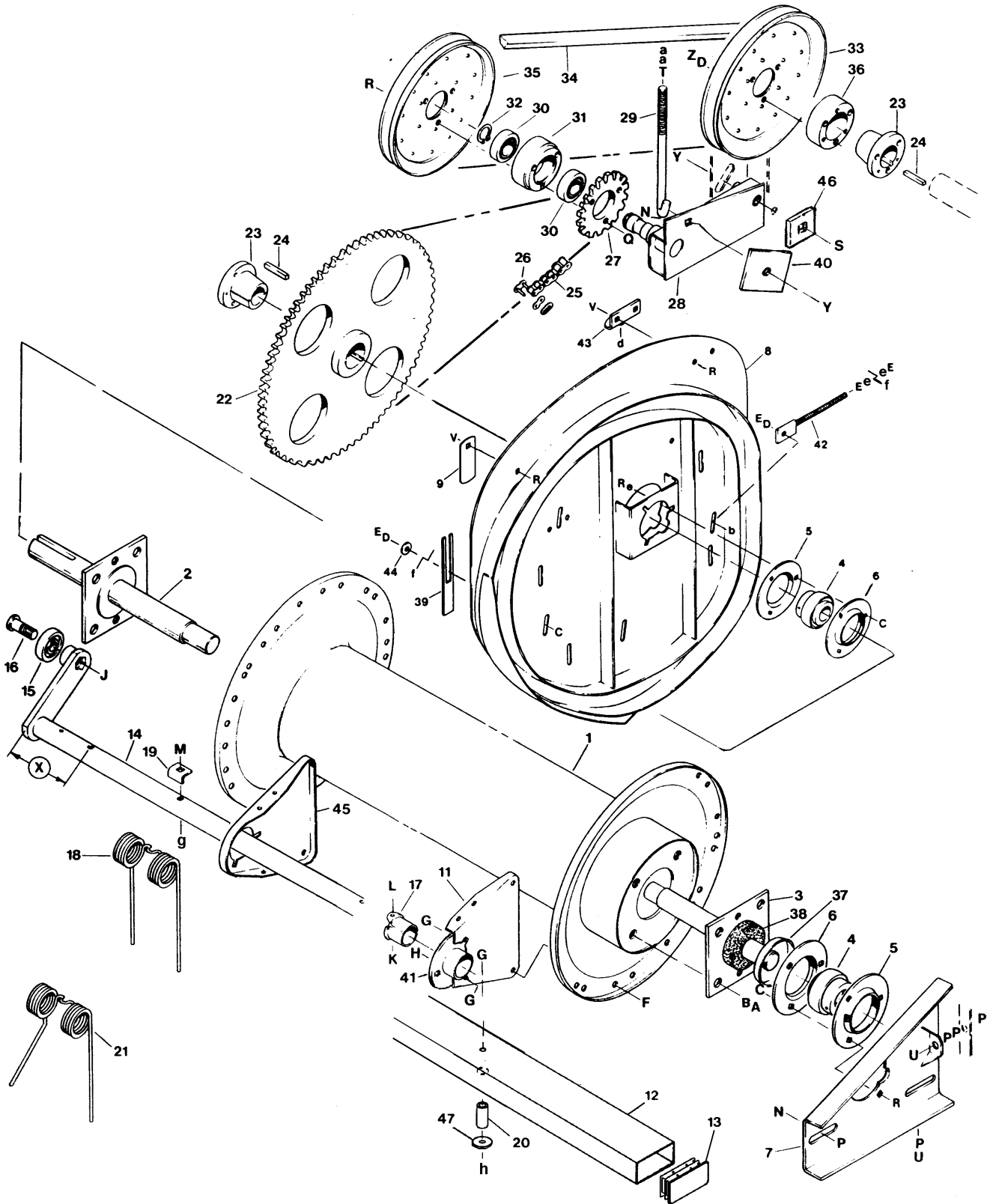
REF	PART NUMBER	DESCRIPTION	QTY	SERIAL NUMBER
1	41717	TUBE - reel, 12 ft. header	1	
	41718	TUBE - reel, 14 ft. header	1	
	41719	TUBE - reel, 16 ft. header	1	
2	41734	SHAFT - reel drive, right hand.....	1	
3	41730	SHAFT - reel drive, left hand.....	1	
4	21936	BEARING - ball, with lock collar	2	
5	30603	FLANGE - bearing, with lube fitting	2	
6	30602	FLANGE - bearing.....	2	
7	41439	SUPPORT - reel, left hand.....	1	
8	140096	CAM PLATE – reel (was 38246).....	1	
9	47418	COVER - cam bearing access (was 34583).....	1	
11	47300	ARM - reel	see note (1)	
12	115551	BAT - reel, 12 ft. header	5	
	115552	BAT - reel, 14 ft. header	5	
	115553	BAT - reel, 16 ft. header	5	
13	115134	PLUG – plastic, bat ends.....	10	
14	41740	TUBE - finger, 12 ft. header, dimension "X"=4 1/2 in. (113 mm)	3	
	41742	TUBE - finger, 14 ft. header, dimension "X"=4 1/2 in. (113 mm)	3	
	41744	TUBE - finger, 16 ft. header, dimension "X"=4 1/2 in. (113 mm)	3	
	41741	TUBE - finger, 12 ft. header, dimension "X"=6 5/16 in. (161 mm)	2	
	41743	TUBE - finger, 14 ft. header, dimension "X"=6 5/16 in. (161 mm)	2	
	41745	TUBE - finger, 16 ft. header, dimension "X"=6 5/16 in. (161 mm)	2	
15	21940	BEARING - cam follower.....	5	
16	28346	BOLT - special, cam follower	5	
17	28790	BUSHING - plastic, reel arm	see note (2)	
18	47681	FINGER - pick-up, double (5 coil, .250" dia. wire).....	see note (3)	
19	19183	HOLDER - finger	see note (4)	
20	103650	SPACER – bat stiffening	see note (2)	
21	47680	FINGER - right end (5 coil, .250" dia. wire)	3	
22	36796	SPROCKET - reel drive.....	1	
23	115074	BUSHING - split taper (was 21934)	2	
24	17194	KEY - 5/16 square x 2 inch.....	2	
25	41882	CHAIN - roller, reel drive	1	
26	16659	LINK - connector	1	
27	41884	SPROCKET - reel driver	1	
28	41894	ARM - reel drive.....	1	
29	41879	BOLT - hook.....	1	
30	21062	BEARING - ball.....	2	
31	41891	HUB - pulley, at drive arm	1	
32	18898	RING - retaining, external.....	1	
33	41887	PULLEY - reel drive, 10 1/2 inch O.D. (267 mm)	1	
34	36012	BELT - reel drive	1	
35	41886	PULLEY - reel drive, 9 1/2 inch O.D. (241 mm)	1	
36	41890	HUB - pulley, at auger shaft	1	
37	41794	COVER - bearing	1	
38	41793	SEAL - rubber.....	1	

NOTES:

- (1) - Quantities: 12 ft = 10, 14 ft = 15, 16 ft = 15
(2) - Quantities: 12 ft = 15, 14 ft = 20, 16 ft = 20
(3) - Quantities: 12 ft = 87, 14 ft = 102, 16 ft = 117
(4) - Quantities: 12 ft = 90, 14 ft = 105, 16 ft = 120

- Reel Bat Replacement Kit – includes parts and hardware in proper size and quantity for one complete bat. See Model 5020 Parts Catalog 147007 for kit contents. (Kits available through WholeGoods only).
B2890 – Bat Assembly – complete – 12' Header
B2891 – Bat Assembly – complete – 14' Header
B2892 – Bat Assembly – complete – 16' Header

REEL & DRIVE



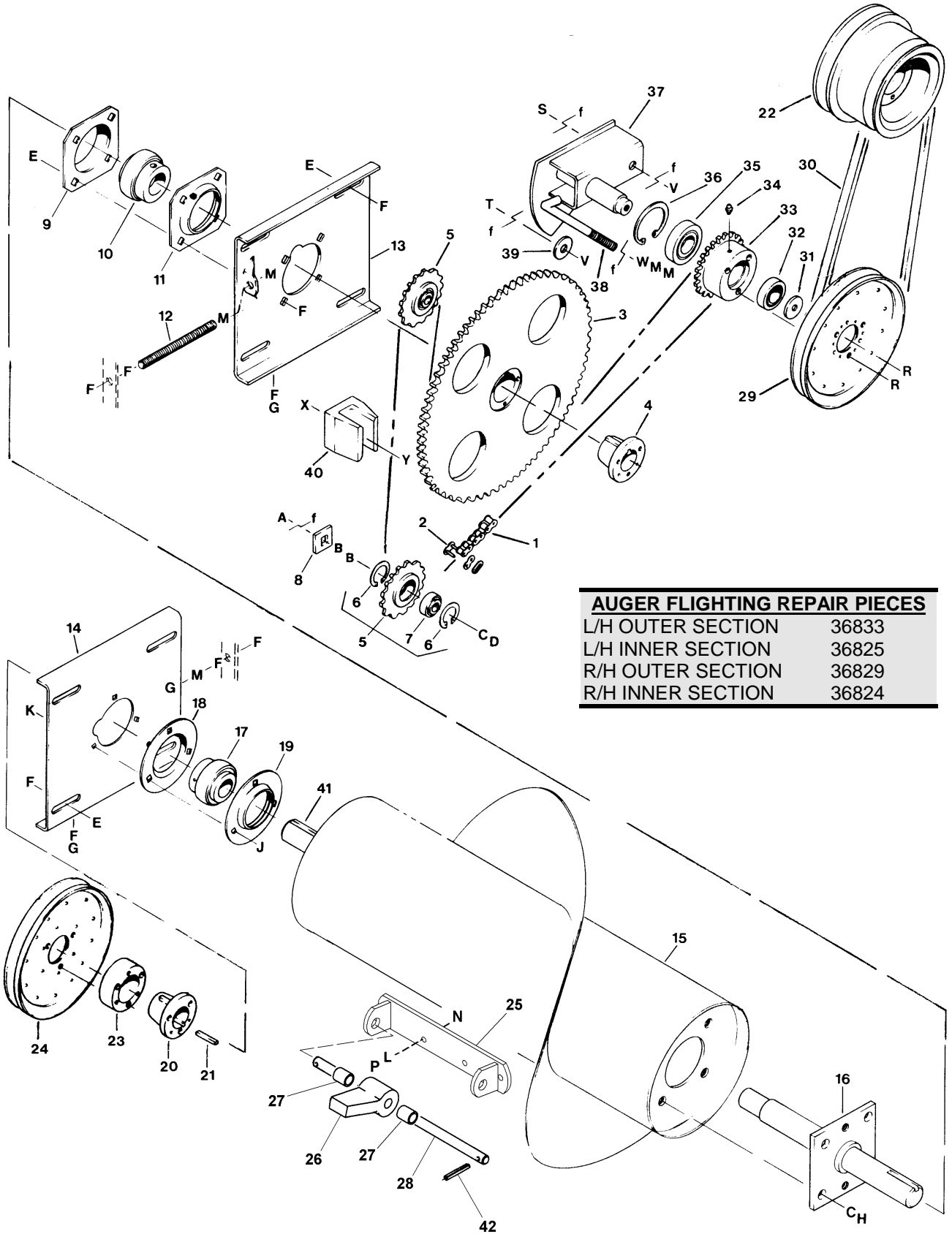
REEL & DRIVE

REF	PART NUMBER	DESCRIPTION	QTY	SERIAL NUMBER
39	16837	BAR - spacer, use to square cam plate to reel	AR	
40	41888	WASHER - flat	1	
41	47295	DISC - reel bushing	see note (2)	
42	47292	STUD - reel fore-aft adjustment	1	
43	115574	ANGLE - cam vertical adjustment	2	
44	20535	WASHER - flat	3	
45	34752	ARM - reel, right hand end of each bat	5	
46	25486	WASHER - flat	1	
47	103837	WASHER - flat	see note (2)	
A	21594	BOLT - hex head, 5/8 NC x 1 1/2 inch		
B	18639	WASHER - lock, 5/8 inch		
C	19965	BOLT - round head square neck, 3/8 NC x 1 inch		
D	18637	WASHER - lock, 3/8 inch		
E	18590	NUT - hex, 3/8 NC		
F	21755	BOLT - hex flange head, 5/16 NC x 1/2 inch		
G	30280	NUT - lock, smooth flange, 5/16 NC distorted thread		
H	21281	BOLT - round head square neck, 5/16 x 3/4 inch		
J	21941	NUT - hex jam, 5/8 NC distorted thread		
K	21570	BOLT - hex head, 1/4 NC x 2 inch		
L	18724	NUT - lock, 1/4 NC distorted thread		
M	21488	BOLT - round head square neck, 5/16 NC x 1 3/4 inch		
N	21868	BOLT - round head square neck, 1/2 NC x 1 inch		
P	21383	NUT - serrated flange lock, 1/2 NC		
Q	21102	BOLT - hex head, 3/8 NC x 2 1/2 inch		
R	30228	NUT - lock, smooth flange, 3/8 NC distorted thread		
S	30266	BOLT - round head square neck, 1/2 NC x 3 inch		
T	18599	WASHER - flat, 17/32 inch I.D.		
U	30528	BOLT - hex head, 1/2 NC x 3 1/2 inch, thread full length		
V	21863	BOLT - round head square neck, 3/8 NC x 3/4 inch		
Y	50186	NUT - lock, smooth flange, 1/2 NC distorted thread		
Z	20077	BOLT - hex head, 3/8 NC x 1 inch		
a	18697	NUT - lock, 1/2 NC distorted thread		
b	19966	BOLT - round head, square neck, 3/8 NC x 1 1/4 inch		
d	30833	BOLT - hex head, 1/2 NC x 2 1/4 inch thread full length		
e	18598	WASHER - flat, 13/32 inch I.D.		
f	REF	Indicates where hardware passes through frame member		
g	18690	NUT - lock, 5/16 NC distorted thread		
h	21569	BOLT - hex head, 5/16 NC x 2 inch		

NOTES:

(2) - Quantities: 12 ft = 15, 14 ft = 20, 16 ft = 20

AUGER & DRIVE

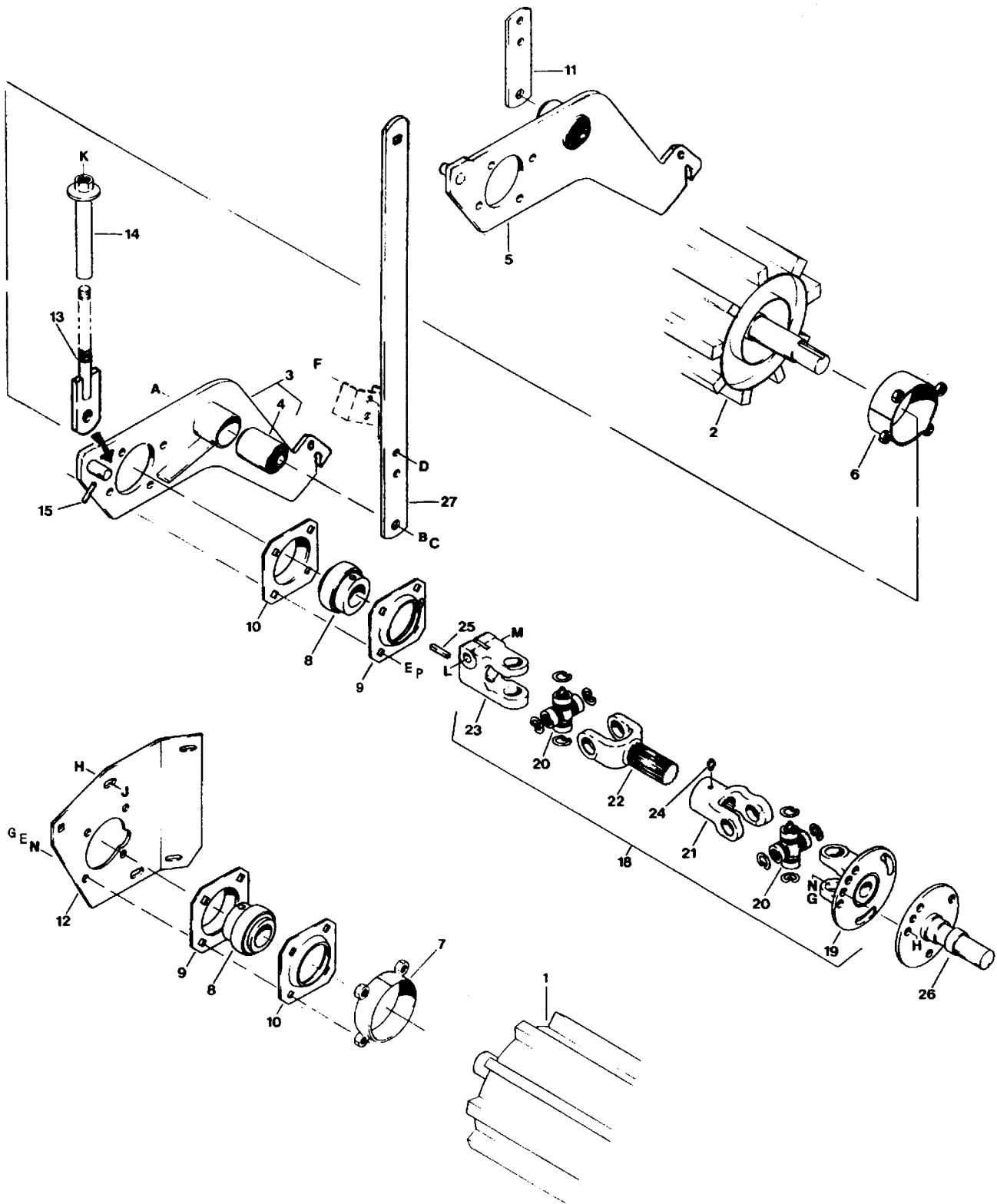


AUGER FLIGHTING REPAIR PIECES	
L/H OUTER SECTION	36833
L/H INNER SECTION	36825
R/H OUTER SECTION	36829
R/H INNER SECTION	36824

AUGER & DRIVE

REF	PART NUMBER	DESCRIPTION	QTY	SERIAL NUMBER	
1	41662	CHAIN - roller, auger drive	1		
2	16659	LINK - connector	1		
3	36796	SPROCKET - auger drive	1		
4	30256	BUSHING - split taper	1		
5	9333	SPROCKET ASSEMBLY - idler, includes items 6 & 7	2		
6	795	RING - retaining	4		
7	9213	BEARING - ball.....	2		
8	34581	WASHER - square	2		
9	30576	FLANGE - bearing.....	1		
10	30031	BEARING - ball, with lock collar	1		
11	30575	FLANGE - bearing, with lube fitting	1		
12	22018	STUD - auger positioning	1		
13	41435	SUPPORT - auger, left.....	1		
14	41431	SUPPORT - auger, right.....	1		
15	115708	AUGER - 12 ft. header, bolted shafts both ends	1		
	115709	AUGER - 14 ft. header, bolted shafts both ends	1		
	115710	AUGER - 16 ft. header, bolted shafts both ends	1		
16	41700	SHAFT - auger drive, left.....	1		
17	21936	BEARING - ball, with lock collar	1		
18	30603	FLANGE - bearing, with lube fitting	1		
19	30602	FLANGE - bearing.....	1		
20	115074	BUSHING - split taper	1		
21	17194	KEY - 5/16 square x 2 inch.....	1		
22	REF	PULLEY - driver, see "Header Primary Drive".....	1		
23	REF	HUB - reel drive, see "Reel & Drive"	1		
24	REF	PULLEY - reel drive, see "Reel & Drive"	1		
25	115402	SUPPORT - finger mounting	6		
26	115854	FINGER - rubber	18		
27	103377	SPACER - finger mounting.....	12		
28	115408	ROD - finger mounting.....	6		
29	47328	PULLEY - auger drive.....	1		
30	36012	BELT - auger drive	1		
31	44623	WASHER - flat	1		
32	21062	BEARING - ball.....	1		
33	41949	SPROCKET - auger drive	1		
34	18671	FITTING - lube	1		
35	14911	BEARING - ball.....	1		
36	38854	RING - retaining, internal.....	1		
37	41984	PIVOT - drive.....	1		
38	41879	BOLT - hook	1		
39	4761	WASHER - flat	1		
40	39274	GUIDE - chain	2		
41	47444	SHAFT - auger, right (bolted)	1		
42	16681	PIN - roll, 5/16 x 2 inch	12		
A	18525	BOLT - rnd. hd. sq. nk, 5/8 NC x 2 1/2"	S	21589	BOLT - hex head, 1/2 NC x 4 inch
B	18600	WASHER - flat, 21/32 inch ID (quantity may vary for alignment)	T	21575	BOLT - hex head, 1/2 NC x 1 inch
			V	18697	NUT - lock, 1/2 NC distorted thread
C	18639	WASHER - lock, 5/8 inch	W	18599	WASHER - flat, 17/32 inch ID
D	18592	NUT - hex, 5/8 NC	X	21452	NUT - serrated flange lock, 3/8 NC
E	21868	BOLT - rnd. hd. sq. nk, 1/2 NC x 1 inch	Y	19966	BOLT - rnd hd, square nk, 3/8 NC x 1 1/4"
F	21383	NUT - serrated flange lock, 1/2 NC	- f	REF	Indicates where hardware passes through frame member.
G	30528	BOLT - hx hd, 1/2 NC x 3 1/2", thread full			
H	21594	BOLT - hex head, 5/8 NC x 1 1/2 inch			
J	19965	BOLT - rnd. hd. sq. nk, 3/8 NC x 1 inch			
K	30228	NUT - lock, smooth fl. 3/8 NC dist. thd.			
L	18636	WASHER - lock, 5/16 inch			
M	18591	NUT - hex, 1/2 NC			
N	21282	BOLT - rnd. hd. sq. nk, 5/16 NC x 1"			
P	18589	NUT - hex, 5/16 NC			
R	21975	BOLT - serr. flange hd, 3/8 NC x 1 inch			

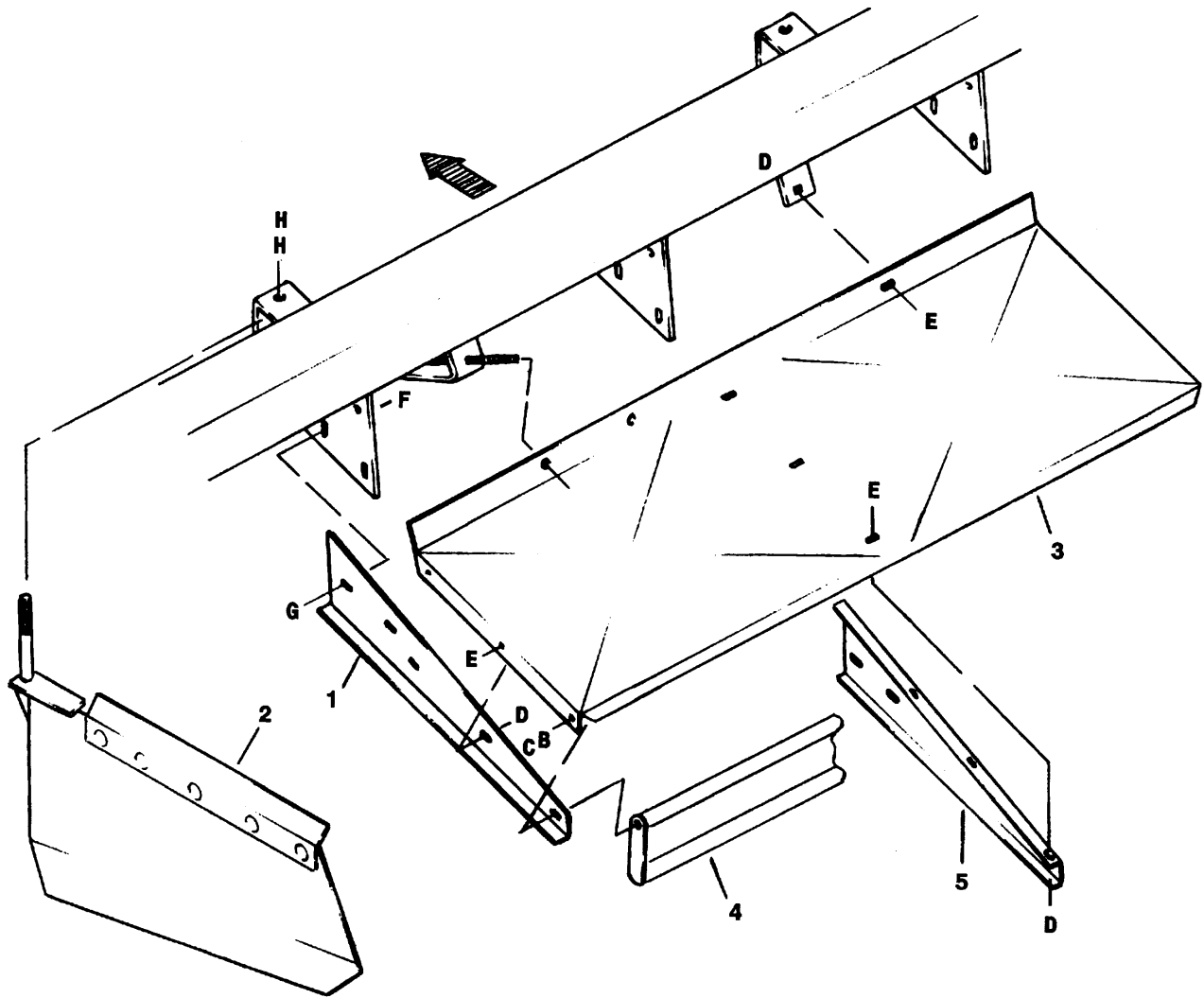
CONDITIONER ROLLS & DRIVELINES



CONDITIONER ROLLS & DRIVELINES

REF	PART NUMBER	DESCRIPTION	QTY	SERIAL NUMBER
1	41469	ROLL - conditioner, lower.....	1	
2	41470	ROLL - conditioner, upper.....	1	
3	51000	ARM - upper roll support, left hand (includes item 4).....	1	
4	21897	BUSHING - rubber.....	2	
5	51001	ARM - upper roll support, right hand (includes item 4).....	1	
6	41490	GUARD - upper roll.....	2	
7	41493	GUARD - lower roll.....	2	
8	30031	BEARING - ball, with lock collar.....	4	
9	30575	FLANGE - bearing, with lube fitting.....	4	
10	30576	FLANGE - bearing.....	4	
11	41496	BAR - upper roll support, right hand.....	1	
12	41498	SUPPORT - lower roll, right hand.....	1	
13	41961	ROD - roll gap adjustment.....	2	
14	41507	TUBE - roll gap adjustment.....	2	
15	16008	PIN - roll, 5/16 x 1 1/2 inch.....	2	
18	36816	DRIVELINE - conditioner rolls, includes items 19 - 24.....	2	
19	36876	YOKE - flange.....	2	
20	115396	CROSS AND BEARING KIT (was 30622).....	4	
21	36877	YOKE - spline bore.....	2	
22	36878	YOKE - spline shaft.....	2	
23	36817	YOKE - clamp.....	2	
24	18671	FITTING - lube.....	2	
25	26846	KEY - 5/16 square x 1 1/2 inch.....	2	
26	REF	SHAFT - roll drive, see "Header Primary Drive".....	2	
27	41497	BAR - upper roll support, left hand.....	1	
A	21720	BOLT - hex head, 5/8 NC x 4 1/2 inch		
B	18639	WASHER - lock, 5/8 inch		
C	18592	NUT - hex, 5/8 NC		
D	21575	BOLT - hex head, 1/2 NC x 1 inch		
E	18638	WASHER - lock, 1/2 inch		
F	18591	NUT - hex, 1/2 NC		
G	21491	BOLT - hex head, 1/2 NC x 1 1/4 inch		
H	21383	NUT - serrated flange lock, 1/2 NC		
J	21066	BOLT - round head square neck, 1/2 NC x 1 inch		
K	18593	NUT - hex 3/4 NC		
L	21560	BOLT - hex head, 1/2 NC x 3 inch, Grade 5 (Torque: 80 ft.lbs.)		
M	50186	NUT - lock, smooth flange, 1/2 NC distorted thread		
N	18599	WASHER - flat, 17/32 inch ID		
P	18723	BOLT - hex head, 1/2 NC x 1 1/2 inch		

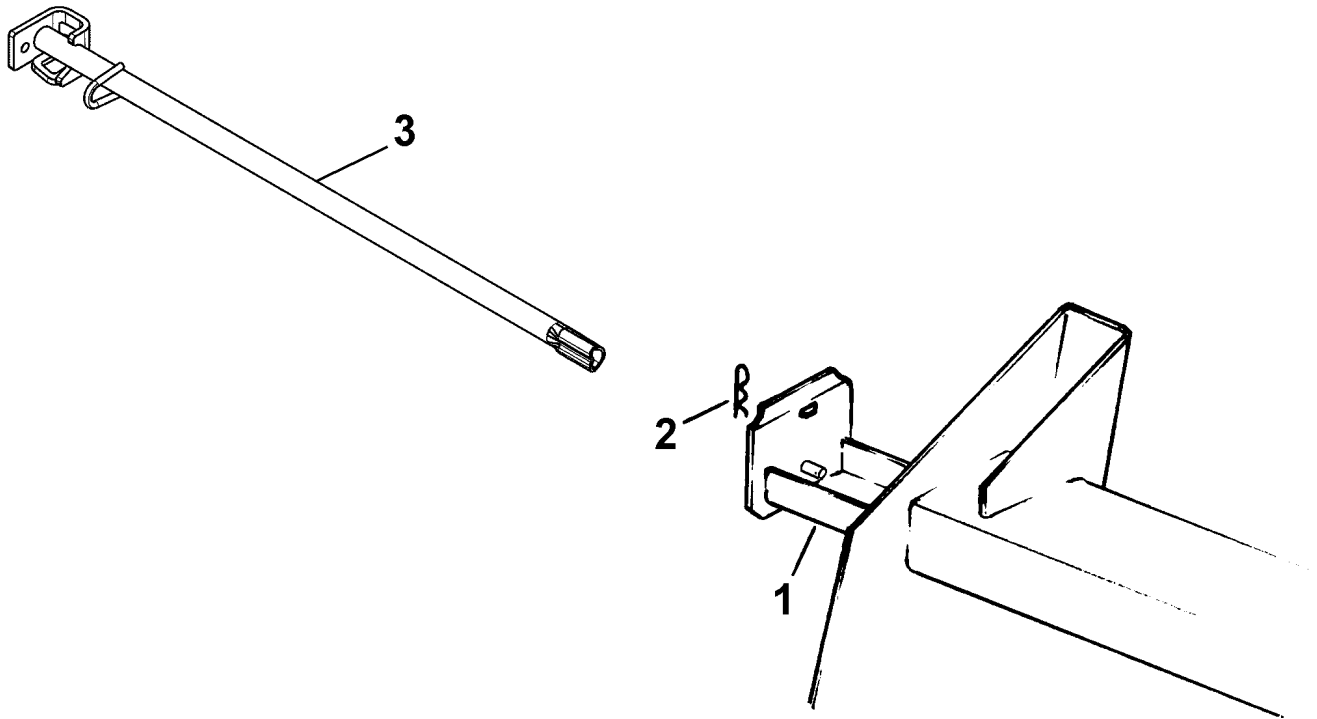
FORMING SHIELDS



FORMING SHIELDS

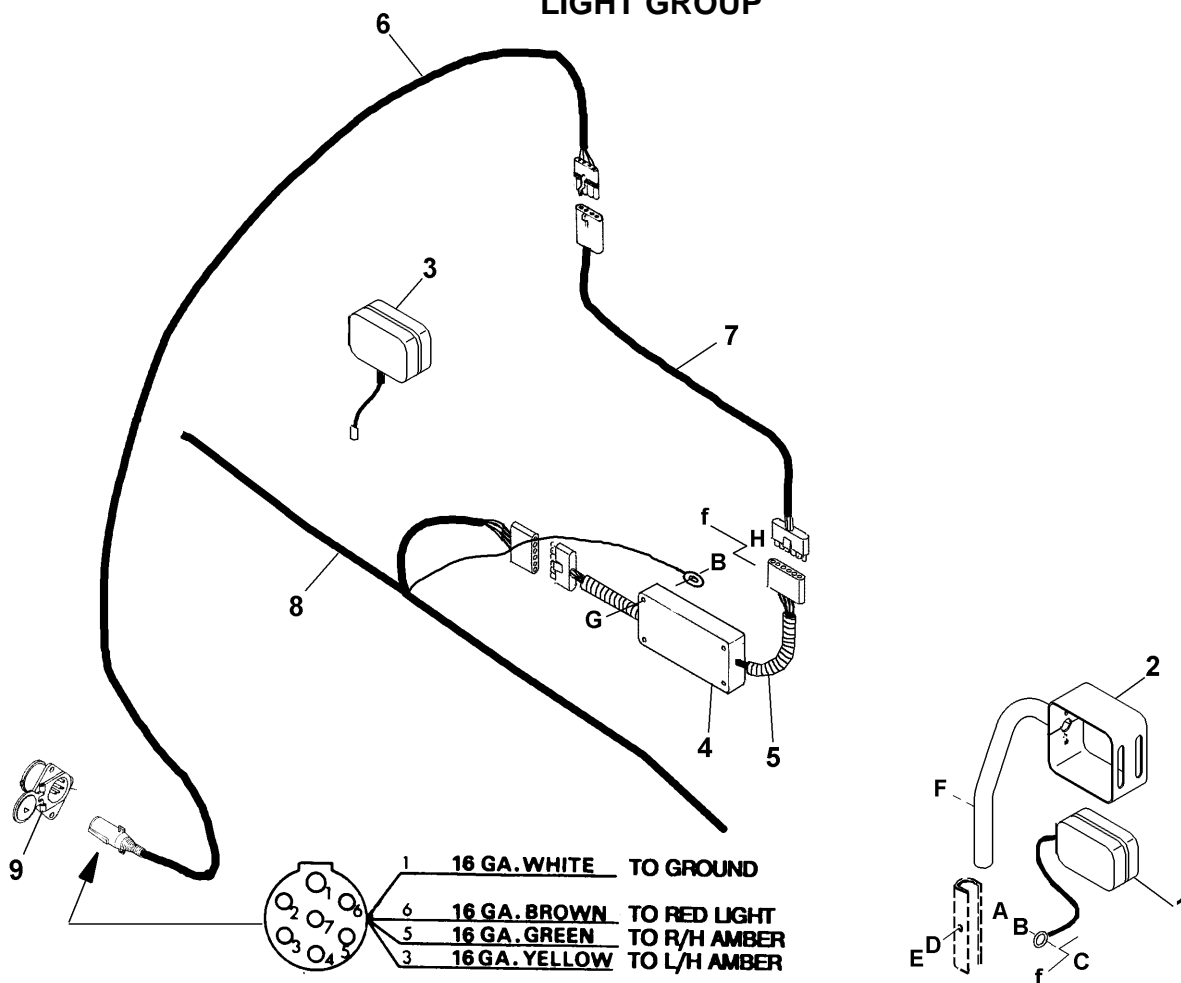
REF	PART NUMBER	DESCRIPTION	QTY	SERIAL NUMBER
1	115244	SUPPORT – left, with reflector.....	1	
	115245	SUPPORT – right, with reflector.....	1	
2	41971	DEFLECTOR - side, left.....	1	
	41972	DEFLECTOR - side, right.....	1	
3	41915	COVER - top	1	
4	41925	DEFLECTOR - rear.....	1	
5	41932	SUPPORT - center.....	1	
B	18638	WASHER - lock, 1/2 inch		
C	21575	BOLT - hex head, 1/2 NC x 1 inch		
D	30228	NUT - lock, smooth flange, 3/8 NC distorted thread		
E	21863	BOLT - round head, square neck, 3/8 NC x 3/4 inch		
F	21383	NUT - serrated flange, 1/2 NC		
G	21868	BOLT - round head, square neck, 1/2 NC x 1 inch		
H	18593	NUT - hex, 3/4 NC		

TOOL BOX & WRENCH



REF	PART NUMBER	DESCRIPTION	QTY	SERIAL NUMBER
1	41025	BOX - tool.....	1	
2	13125	PIN - hair.....	2	
3	140135	TOOL - guard straightener / drive wrench (shaft engaging) (was 52031)	1	

LIGHT GROUP



REF	PART NUMBER	DESCRIPTION	QTY	SERIAL NUMBER
1	113511	LIGHT - amber	2	
2	113471	SUPPORT – amber light, left	1	
	113473	SUPPORT – amber light right	1	
3	112152	LIGHT - red	2	
4	113579	MODULE – light relay	1	
5	115723	CONDUIT - slit	2	
6	36910	HARNESS - tongue section, includes connector and plug.....	1	
	30710	PLUG - 7 pole.....	1	
	31061	CONNECTOR KIT – 4-way	1	
7	115714	HARNESS – connector section, tongue to module	1	
8	115715	HARNESS – frame section, module to lights	1	
9	30461	RECEPTACLE - 7 pole, tractor	1	
A	21572	BOLT – hex head, ¼ NC x 5/8 inch		
B	113757	WASHER – lock, external tooth, ¼ inch I.D.		
C	18724	NUT – lock, ¼ NC distorted thread		
D	18590	NUT - hex, 3/8 NC		
E	21567	BOLT – hex head, 3/8 NC x ¾ inch		
F	50124	SCREW – hex washer head, 5/16 x ½ inch thread cutting		
G	21487	BOLT – round head, square neck, #10 NC x 1 ½ inch		
H	21492	NUT – serrated flange lock, #10 NC		
~f	REF	Indicates where hardware passes through frame member.		

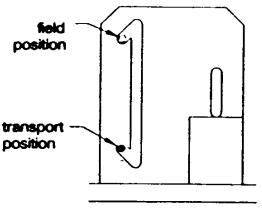
DECALS & REFLECTORS

CAUTION

To avoid injury or death from improper or unsafe machine operation:

1. Read the Operator's Manual, and follow all safety instructions. If you do not have a manual, obtain one from your dealer.
2. Do not allow untrained persons to operate the machine.
3. Review safety instructions with all operators annually.
4. Ensure that all safety signs are installed and legible.
5. Make certain everyone is clear of machine before starting engine and during operation.
6. Keep riders off the machine.
7. Keep all shields in place, and stay clear of moving parts.
8. Disengage header drive, put transmission in neutral, apply park brake and wait for all movement to stop before leaving operator's position.
9. Do not service, adjust, lubricate, clean or unplug machine with engine running or key in ignition.
10. Engage mechanical locks before servicing header or reel in the raised position.
11. Use slow moving vehicle emblem and flashing warning lights when operating on roadways unless prohibited by law.

* 32009



CAUTION

Before transporting windrower: To avoid injury and/or machine damage caused by sudden, unexpected movement of hitch swing hydraulics:

1. Move latch rod to transport position.
2. Swing hitch to center until lock is engaged.

* 41065

1

2

DANGER




Rest header on ground or engage mechanical locks before going under unit. See Operator's Manual.

* 44811

3

WARNING




To avoid injury, stop engine before opening power drive system shield. Keep all shields in place.

* 37738

4

WARNING



DO NOT GO NEAR LEAKS

- High pressure oil easily punctures skin causing serious injury, gangrene or death.
- If injured, seek emergency medical help. Immediate surgery is required to remove oil.
- Do not use finger or skin to check for leaks.
- Lower load or relieve hydraulic pressure before loosening fittings.

* 48844

CAUTION

To avoid injury and/or machine damage caused by loss of control:

1. Read Operator's Manual before transporting.
2. Do not tow with a vehicle weighing less than 5000 lbs. (2300 kg).
3. Secure all pins and hitch chain in transport position.
4. Do not transport at speeds greater than 20 m.p.h. (30 km/h).
5. Reduce transport speed for corners and slippery conditions.
6. Obey all highway traffic regulations in your area when transporting on public roads.
7. Use slow moving vehicle emblem and flashing warning lights unless prohibited by law.

* 32008

5

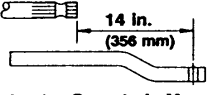
WARNING

STAY CLEAR of the machine while it is running. Contact with rotating reel, moving knife or conveyor can cause injury or death. Stop engine and remove key to perform any inspection, maintenance or repair work.

* 28420

6

Operate only with 540 rpm PTO.



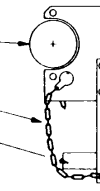
See tractor Operator's Manual for drawbar adjustment instruction.

* 32005

20

IMPORTANT

WORKING POSITION



pump mounted to tractor PTO
loop chain as shown
tractor drawbar

STORAGE POSITION
Hang pump by chain on forked bracket on hitch

NOTE: Pump weight - 70 lbs. (32 kg)

8

Lift to release cover.

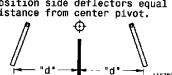


17

11

IMPORTANT

Position side deflectors equal distance from center pivot.



* 115782

22

IMPORTANT

See Operator's Manual for correct chain adjustment procedure. Service chain with Genuine Macdon Part only.

* 115781

23

12

NO LIFT OR TIE

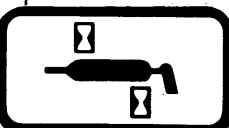
WARNING

To avoid bodily injury from contact with hot oil, do not remove dipstick when system is hot. See Operator's Manual for proper venting procedure when system is cold.

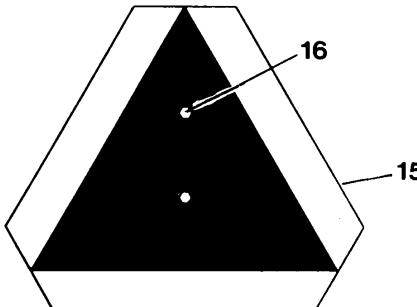
* 115100

21

9



16



15

19

IMPORTANT

Torque wheel bolts to 120 ft.-lbs. Retorque after first hour of operation.

13

This product may be covered by one or more of the following patents:

- CDN. # 1075914
- CDN. # 1226739
- CDN. # 1240159
- CDN. # 1244248
- CDN. # 1267292
- U.S. # 4346909
- U.S. # 4573309
- U.S. # 4680361
- U.S. # 4682161
- U.S. # 4909026
- U.S. # 4956966
- U.S. # 5005343

Other patents pending.

DECALS & REFLECTORS

REF	PART NUMBER	DESCRIPTION	QTY	SERIAL NUMBER
1	32009	DECAL - CAUTION, general precautions	1	
2	41666	DECAL - CAUTION, transport lock	1	
3	44611	DECAL - DANGER, header locks	2	
4	32738	DECAL - WARNING, shields & guards	3	
5	32008	DECAL - CAUTION, transport precautions	1	
6	28403	DECAL - WARNING, clear while running.....	3	
7	32005	DECAL - 540 rpm PTO.....	1	
	32006	DECAL - 1000 rpm PTO.....	1	
8	41668	DECAL - hydraulic pump	1	
9	23163	DECAL - 10 hour lube	1	
	23164	DECAL - 25 hour lube.....	1	
	23165	DECAL - 50 hour lube	16	
11	115146	REFLECTOR - amber	5	
	115147	REFLECTOR - red	2	
	115145	REFLECTOR - Day-Glow Orange	2	
12	23292	DECAL - no lift or tie.....	2	
13	32070	DECAL - patents	1	
15	21032	REFLECTOR - slow moving vehicle	1	
16	18631	SCREW - machine, Phillips pan head #10 NC x 1/2 inch.....	2	
	21492	NUT - flange, #10 NC.....	2	
17	43697	DECAL - lift to release cover	2	
19	101375	DECAL - wheel bolt torque	1	
20	44944	DECAL - WARNING, hydraulic oil leaks	2	
21	115100	DECAL - WARNING, hot oil	1	
22	115782	DECAL - forming shield deflectors	1	
23	115781	DECAL - MacDon quality chain	1	

PAINT

REF	PART NUMBER	DESCRIPTION	QTY	SERIAL NUMBER
	25990	PAINT - black, spray can (55 - 65 Gloss Level)		
	25991	PAINT - black, 1 litre (55 - 65 Gloss Level)		
	32879	PAINT - white, spray can		
	23957	PAINT - white, 1 litre		
	23950	PAINT - red, spray can		
	32880	PAINT - red, 1 litre		

PRODUCT IDENTIFICATION DECALS



MacDon — 2

1
HITCH & FRAME TUBE

5010 MOWER CONDITIONER — 3

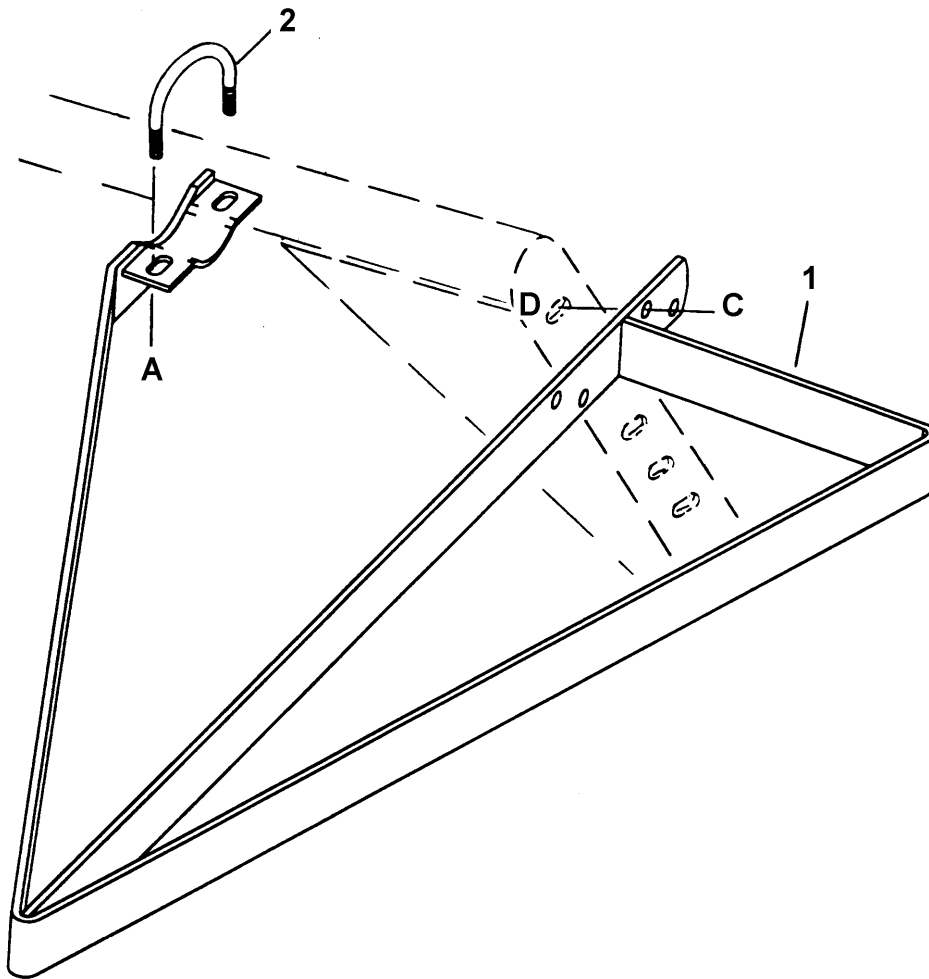


4
END SHIELDS

REF	PART NUMBER	DESCRIPTION	QTY	SERIAL NUMBER
1	115689	DECAL – rainbow, 102 x 1660 mm – frame tube	1	
	102527	DECAL – rainbow, 153 x 1500 mm – hitch	see note (2)	
		12' & 14' – rear section (both sides)		
		16' – front and rear sections (both sides)		
	115049	DECAL – rainbow, 153 x 750 mm – 12' hitch front section (both sides).....	2	
	115048	DECAL – rainbow, 153 x 1170 mm - 14' hitch front section (both sides).....	2	
2	102582	DECAL – MacDon, 82 mm high – frame tube.....	1	
	102524	DECAL – MacDon, 122 mm high – hitch.....	2	
3	115721	DECAL – 5010 MOWER CONDITIONER.....	2	
4	102533	DECAL - MacDon on rainbow, tapered, L/H	1	
	115045	DECAL - MacDon on rainbow, tapered, R/H.....	1	

NOTES: (1) - Quantities: 12 ft = 3, 14 ft = 3, 16 ft = 5
 (2) - Quantities: 12 ft = 2, 14 ft = 2, 16 ft = 4

TALL CROP DIVIDERS (ATTACHMENT)



REF	PART NUMBER	DESCRIPTION	QTY	SERIAL NUMBER
	B 2539	KIT - tall crop dividers, complete (includes dividers and hardware) Kit available through WholeGoods only.		
1	47345	DIVIDER - left hand.....	1	
	47346	DIVIDER - right hand.....	1	
2	47231	BOLT - "U", for 4 inch (100 mm) tube	2	
		NOTE: Smaller U-bolts in kit are not used in this application.		
A	30228	NUT - lock, smooth flange, 3/8 NC distorted thread		
C	21449	BOLT - flange head, 1/2 NC x 1 inch		
D	21383	NUT - serrated flange, 1/2 NC		

NUMERICAL LIST

PART NO.	PAGE	PART NO.	PAGE	PART NO.	PAGE	PART NO.	PAGE
795	21	21032	41	28496	21	30904	3
795	33	21062	29	28790	29	30910	17
1134	5	21062	33	28815	23	30911	17
4761	33	21153	7	29467	3	30927	17
5512	7	21193	17	29598	3	30968	17
5924	19	21194	23	30031	21	31061	39
6007	17	21376	7	30031	33	32005	41
7900	7	21404	3	30031	35	32006	41
8640	5	21406	3	30045	19	32008	41
9213	21	21420	19	30045	19	32009	41
9213	33	21492	41	30046	19	32070	41
9333	21	21540	5	30061	5	32225	15
9333	33	21540	7	30140	19	32225	17
9530	23	21763	15	30141	19	32738	41
11644	5	21810	17	30144	19	32879	41
13125	5	21819	17	30247	19	32880	41
13125	13	21828	17	30256	21	34181	23
13125	38	21840	17	30256	33	34182	23
14911	21	21862	23	30282	15	34183	23
14911	33	21884	17	30284	15	34359	25
16008	35	21897	5	30301	15	34389	23
16227	17	21897	35	30375	15	34390	23
16659	29	21934	21	30461	39	34391	23
16659	33	21936	29	30516	7	34581	33
16681	33	21936	33	30517	7	34583	29
16837	31	21940	29	30520	7	34752	31
17194	29	22018	33	30575	33	34974	25
17194	33	23163	41	30575	35	34975	25
17958	17	23164	41	30576	21	34980	25
18607	15	23165	41	30576	33	36012	29
18609	3	23292	41	30576	35	36012	33
18620	5	23950	41	30602	29	36627	13
18631	41	23957	41	30602	33	36796	29
18639	3	24042	17	30603	29	36796	33
18642	3	24051	15	30603	33	36811	15
18648	7	24051	17	30607	23	36816	35
18666	2	24322	5	30668	23	36817	35
18666	3	24408	5	30696	23	36819	21
18671	2	24416	5	30710	39	36823	2
18671	5	25059	9	30753	17	36836	2
18671	33	25486	31	30846	15	36837	5
18671	35	25990	41	30889	7	36840	17
18766	21	25991	41	30890	7	36841	17
18898	29	26846	21	30891	17	36842	17
18900	19	26846	35	30893	17	36844	17
18916	7	27647	2	30894	17	36845	15
19117	21	28013	23	30895	17	36853	17
19183	29	28014	23	30898	3	36854	19
19926	5	28346	29	30902	3	36855	17
20535	31	28403	41	30903	3	36856	17

NUMERICAL LIST

PART NO.	PAGE	PART NO.	PAGE	PART NO.	PAGE	PART NO.	PAGE
36859	19	41410	13	41744	29	41909	15
36868	17	41413	13	41745	29	41909	15
36876	35	41417	13	41785	3	41915	37
36877	35	41420	11	41793	29	41924	21
36878	35	41424	23	41794	29	41925	37
36880	17	41431	33	41800	21	41932	37
36882	19	41435	33	41806	21	41949	33
36883	19	41439	29	41809	9	41961	35
36888	15	41454	21	41813	9	41971	37
36891	19	41455	21	41817	17	41972	37
36892	19	41456	21	41821	21	41982	7
36909	19	41469	35	41824	21	41984	33
36910	39	41470	35	41830	21	41992	21
36912	17	41490	35	41841	21	41993	21
36913	17	41493	35	41844	21	41994	21
36942	19	41496	35	41850	21	42125	15
36943	19	41497	35	41859	15	42126	15
37367	9	41498	35	41860	15	42690	5
38246	29	41507	35	41861	15	42691	5
38854	33	41528	9	41862	15	43697	41
38894	9	41540	9	41863	15	44611	41
39274	33	41543	17	41864	15	44623	33
40766	5	41545	17	41865	15	44944	41
41025	38	41579	15	41866	15	44994	5
41034	21	41580	15	41867	15	47193	13
41090	5	41581	15	41868	15	47231	43
41098	5	41582	15	41870	15	47292	31
41100	2	41590	2	41871	15	47295	31
41102	5	41591	2	41872	15	47300	29
41107	5	41592	2	41879	29	47324	25
41114	5	41650	3	41879	33	47328	33
41118	5	41655	3	41881	5	47345	43
41122	5	41659	2	41882	29	47346	43
41127	5	41660	2	41884	29	47418	29
41145	5	41662	33	41886	29	47444	33
41150	5	41663	17	41887	29	47680	29
41155	7	41666	41	41888	31	47681	11
41244	5	41668	41	41890	29	47681	29
41266	9	41700	33	41891	29	47832	23
41357	5	41707	15	41894	29	50099	19
41358	5	41708	15	41900	17	50100	19
41376	11	41717	29	41901	17	50165	15
41377	11	41718	29	41902	17	50208	19
41378	11	41719	29	41903	17	51000	35
41379	11	41730	29	41904	15	51001	35
41380	11	41734	29	41905	15	100001	15
41381	11	41740	29	41906	15	100500	23
41388	5	41741	29	41906	15	100532	27
41405	5	41742	29	41907	15	100706	27
41408	5	41743	29	41908	15	100707	27

NUMERICAL LIST

PART NO.	PAGE	PART NO.	PAGE	PART NO.	PAGE	PART NO.	PAGE
100708	27	115095	11	115964	9		
100709	27	115100	41	140096	29		
100710	27	115133	2	140135	38		
100712	27	115134	29	B 2149	13		
100714	27	115145	41	B 2515	25		
100715	27	115146	41	B 2516	25		
100716	27	115147	41	B 2517	25		
100717	27	115244	37	B 2539	43		
100718	27	115245	37				
100719	27	115321	23				
100720	27	115396	35				
100721	27	115402	33				
100722	27	115408	33				
100723	27	115412	11				
100726	27	115413	11				
101375	41	115414	11				
102524	42	115416	11				
102527	42	115417	11				
102533	42	115418	11				
102582	42	115551	29				
102629	27	115552	29				
102630	27	115553	29				
103096	27	115559	2				
103377	33	115574	31				
103565	27	115654	11				
103650	29	115655	11				
103837	31	115656	11				
112152	39	115658	11				
113152	27	115659	11				
113153	27	115660	11				
113222	23	115667	2				
113229	23	115670	23				
113471	39	115689	42				
113473	39	115698	21				
113511	39	115701	17				
113579	39	115704	11				
113698	23	115705	15				
113937	23	115708	33				
115025	9	115709	33				
115045	42	115710	33				
115048	42	115714	39				
115049	42	115715	39				
115074	29	115721	42				
115074	33	115723	39				
115083	23	115737	9				
115088	11	115738	9				
115089	11	115739	9				
115090	11	115781	41				
115093	11	115782	41				
115094	11	115854	33				

**Model 5010 Power Tongue Windrower
SUGGESTED STOCKING LIST**

P.C. REF	PART NUMBER	DESCRIPTION	SUGGESTED QTY.		ORDER QTY	UNIT PRICE	EXT. PRICE
			2 UNITS	5 UNITS			
<u>WHEELS AND TIRES - Parts Catalog Page 7</u>							
6	41982	HUB - with cups	1	1			
14	30520	CAP - dust	1	1			
<u>SKID SHOES - Parts Catalog Page 13</u>							
1	47193	SHOE - skid, left	0	1			
6	36627	SUPPORT - front	2	4			
<u>STEERING & LIFT CYLINDER HYDRAULICS - Parts Catalog Page 15</u>							
1	42125	SEAL KIT - master lift cylinder	0	1			
2	42126	SEAL KIT - slave lift cylinder	0	1			
10	50165	SEAL KIT - steering cylinder	1	1			
<u>HEADER DRIVE HYDRAULICS - Parts Catalog Page 17</u>							
18	36913	CARTRIDGE - relief valve	0	1			
	36853	SEAL KIT - relief valve	1	1			
21	30895	ELEMENT - hydraulic oil filter	2	6			
31	36856	SEAL KIT - hydraulic motor	1	1			
35	21810	BUSHING - rubber	1	2			
<u>PUMP/GEARBOX ASSEMBLY - Parts Catalog Page 19</u>							
	36854	SEAL KIT - gearbox	1	1			
<u>HEADER PRIMARY DRIVE - Parts Catalog Page 21</u>							
6	30031	BEARING - ball, with lock collar	1	4			
7	30576	FLANGE - bearing	1	3			
15	9333	SPROCKET ASSEMBLY - idler	0	1			
<u>SICKLE & BELT DRIVE - Parts Catalog Page 23</u>							
1	34181 *	SICKLE ASS'Y - less head, 12 ft.	1	3			
	34182 *	SICKLE ASS'Y - less head, 14 ft.	1	3			
	34183 *	SICKLE ASS'Y - less head, 16 ft.	1	3			
2	34390	SECTION - sickle	50	200			
3	34391	SECTION - half, end	2	8			
5	30668	BOLT - sickle head	15	60			
	30696	BOLT - sickle section	50	200			
7	113222	SEAL - sickle head	1	3			
10	28014	SICKLE GUARD - left end	2	8			
	28013	SICKLE GUARD	10	100			
11	28815	GUIDE - sickle	5	30			
12	115321	HEAD - sickle	1	2			
13	100500	BEARING - needle, sickle head	1	3			
19	21862	PULLEY - idler	0	1			
22	9530	BELT - sickle drive	1	3			
33	113698	ARM - output	1	1			
34	113229	PIN - sickle head	1	4			
A	30669	NUT - sickle	50	200			

* - Order to suit header sizes sold.

**Model 5010 Power Tongue Windrower
SUGGESTED STOCKING LIST**

P.C. REF	PART NUMBER	DESCRIPTION	SUGGESTED QTY.		ORDER QTY	UNIT PRICE	EXT. PRICE
			2 UNITS	5 UNITS			
<u>SICKLE DRIVE BOX - Parts Catalog Page 27</u>							
	100532	DRIVE - sickle, complete	0	1			
1	100706	YOKE - output	0	1			
2	100707	SEAL - oil, output shaft	2	4			
3	100708	BUSHING - bronze	1	2			
5	100726	BUSHING - steel	1	2			
8	100710	SHAFT - input	0	1			
10	100712	O-RING	1	2			
11	102630	SEAL - oil, input shaft	1	2			
12	100714	BEARING ASS'Y - cup & cone	1	2			
16	100717	BEARING ASS'Y - cup & cone	1	2			
18	100719	CAP - dust	1	2			
20	100720	BEARING ASS'Y - cup & cone	2	4			
21	100721	PIVOT	0	1			
22	100722	RING - retaining, internal	2	4			
23	100723	BUSHING - bronze	2	4			
<u>REEL & DRIVE - Parts Catalog Page 29 & 31</u>							
4	21936	BEARING - ball, with lock collar	1	2			
5	30603	FLANGE - bearing, with lube fitting	1	1			
6	30602	FLANGE - bearing	1	1			
15	21940	BEARING - cam follower	2	5			
16	28346	BOLT - special, cam follower	1	2			
17	28790	BUSHING - plastic, reel arm	5	15			
18	47681	FINGER - pick-up, double	20	60			
19	19183	HOLDER - finger	5	20			
21	47680	FINGER - right end	1	3			
30	21062	BEARING - ball	1	4			
34	36012	BELT - reel drive	1	2			
41	47295	DISC - reel bushing	1	4			
<u>CONDITIONER ROLLS & DRIVELINES - Parts Catalog Page 35</u>							
4	21897	BUSHING - rubber	1	2			
18	36816	DRIVELINE - conditioner rolls	0	1			
20	115396	CROSS AND BEARING KIT	1	2			
<u>PAINT - Parts Catalog Page 41</u>							
	25991	PAINT - black, 1 litre	1	1			
	23957	PAINT - white, 1 litre	1	1			
	32880	PAINT - red, 1 litre	1	1			